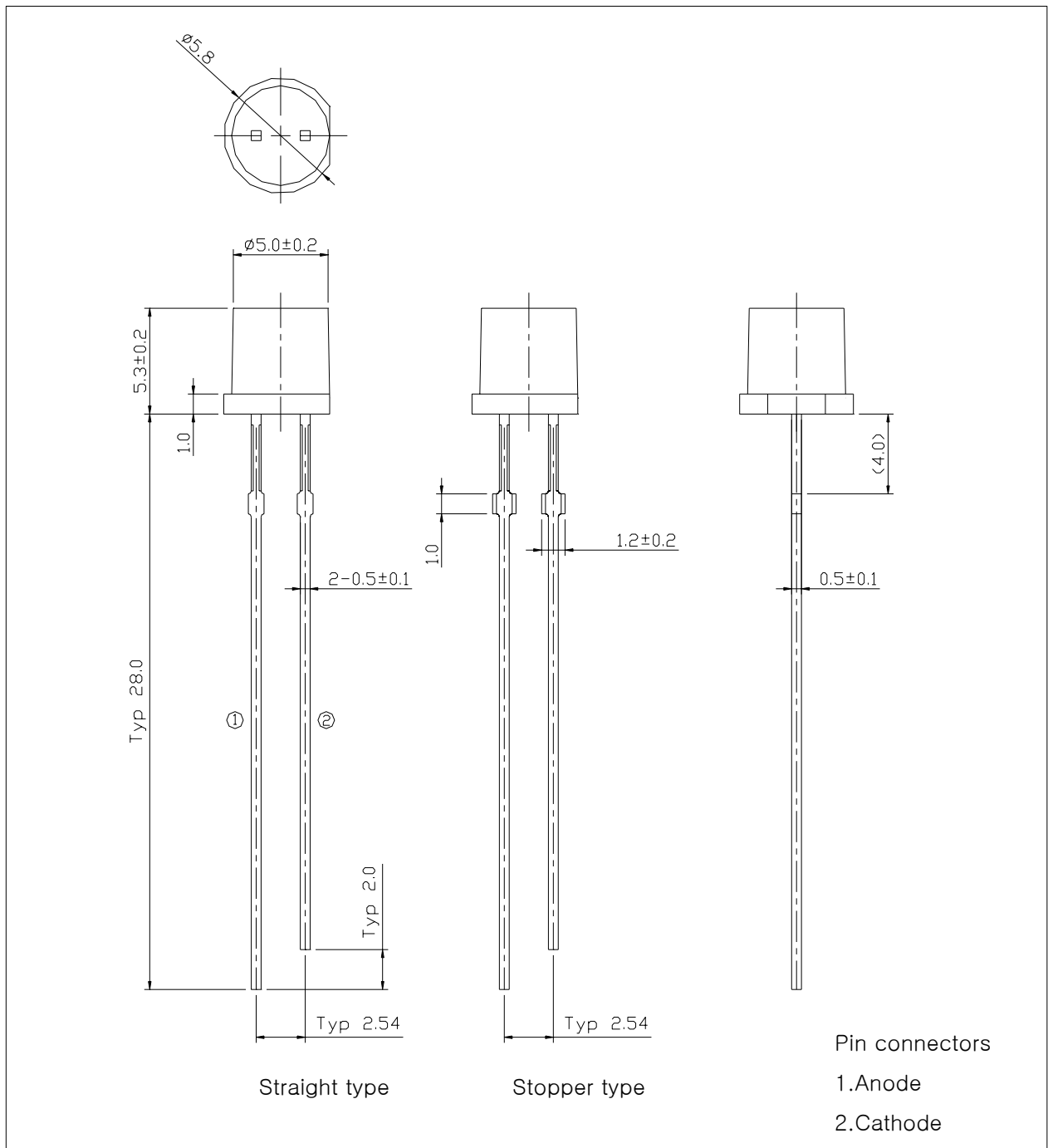


■ Features

- Colorless transparency lens type
- $\phi 5\text{mm}$ (T-1 $\frac{3}{4}$) all plastic mold type
- Ultra luminous

■ Outline dimensions

(unit : mm)



Different and Better

■ Absolute Maximum Ratings

(Ta=25°C)

Parameter	Symbol	Ratings	Unit
Power dissipation	P_D	75	mW
DC Forward Current	I_F	30	mA
* ¹ Peak Forward Current	I_{FP}	100	mA
Reverse Voltage($I_R=100\mu A$)	V_R	5	V
Operating Temperature	T_{opr}	-30 ~ 85	°C
Storage Temperature	T_{stg}	-40 ~ 100	°C
* ² Soldering Temperature	T_{sol}	260°C for 3 seconds	

*1. Duty ratio = 1/16, Pulse width = 0.1ms

*2. Keep the distance more than 2.0mm from PCB to the bottom of LED package

■ Electrical – Optical Characteristics

(Ta=25°C)

Characteristic	Symbol	Test Condition	Min.	Typ.	Max.	Unit
Forward Voltage	V_F	$I_F=20mA$	-	2.0	2.7	V
Dominant Wavelength	λ_d	$I_F=20mA$	-	624	-	nm
Spectrum Bandwidth	$\Delta\lambda$	$I_F=20mA$	-	15	-	nm
Reverse Current	I_R	$V_R=5V$	-	-	10	μA
* ³ Half Angle	$\theta_{1/2}$	$I_F=20mA$	-	± 55	-	deg

*3. $\theta_{1/2}$ is the off-axis angle where the luminous intensity is 1/2 the peak intensity

■ Luminous intensity ranks

(Ta=25°C)

Iv RANK	Test Condition	Min.	Typ.	Max.	Unit
M	I _F = 20mA	420	–	600	mcd
N		600	–	850	
O		850	–	1200	
P		1200	–	1700	

* Luminous intensity is tested at a current pulse duration of 25 ms and an accuracy of ±11%.

Intensity Measured : 0.01sr(CIE. LED_B)

■ Precautions On LED using

* To avoid optical difference, Please do not mix differently-ranked product.

■ Characteristic Diagrams

Fig. 1 I_F - V_F

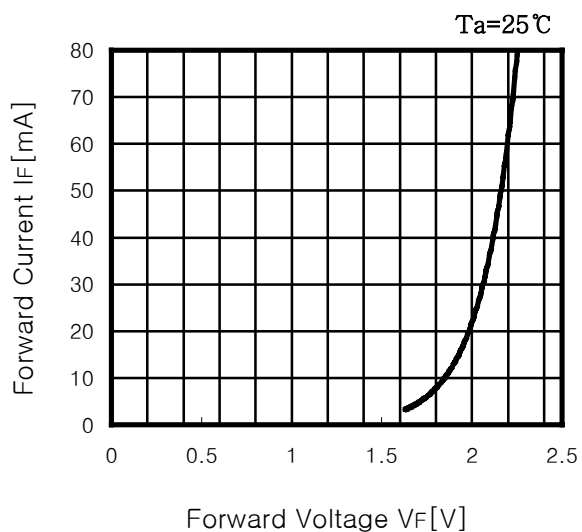


Fig. 2 I_V - I_F

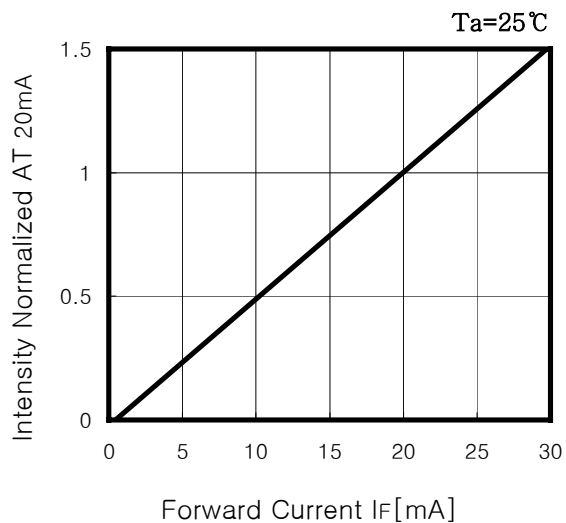


Fig. 3 Spectrum Distribution

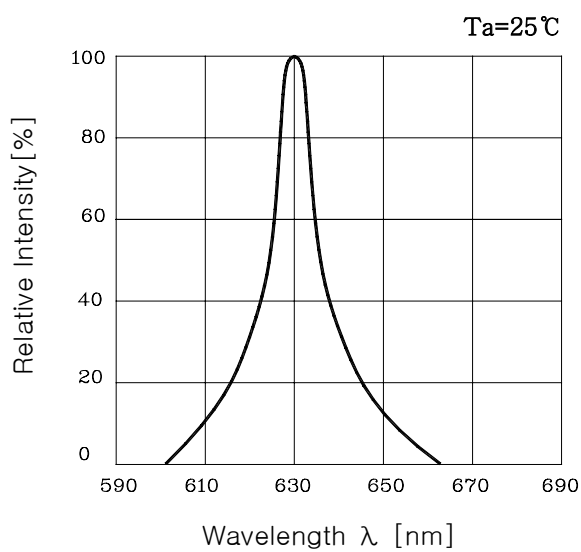


Fig. 4 Relative Intensity- T_a

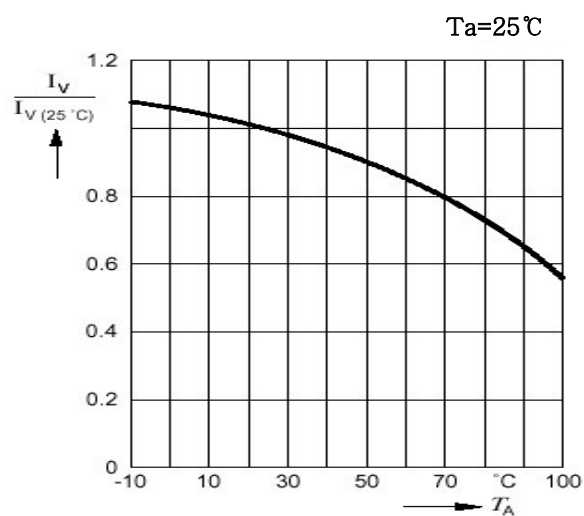
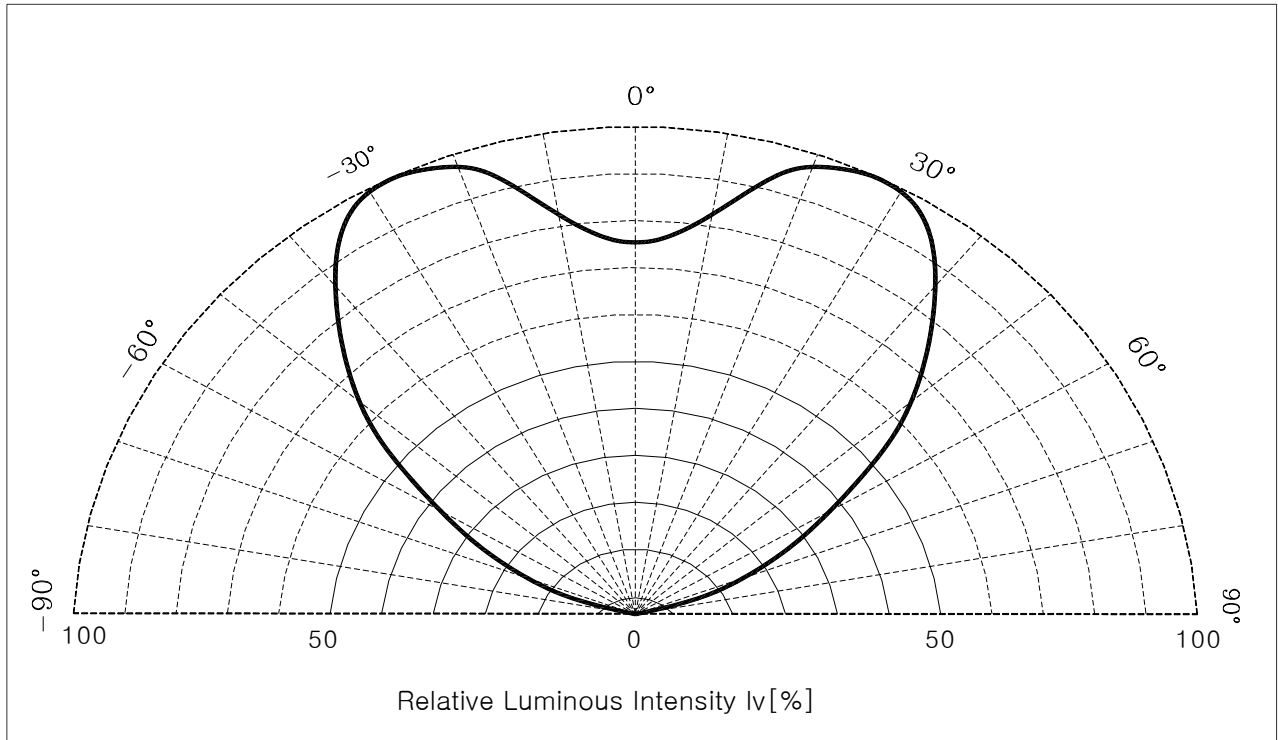


Fig. 5 Radiation Diagram



■ Revision history sheet

Spec NO.			
Title	Specification for Approval		
Times	Date	Summary of revision	Remarks
1	2001. 07. 15	신규제정	
2	2003. 02. 26	Format 변경	