

Round Type

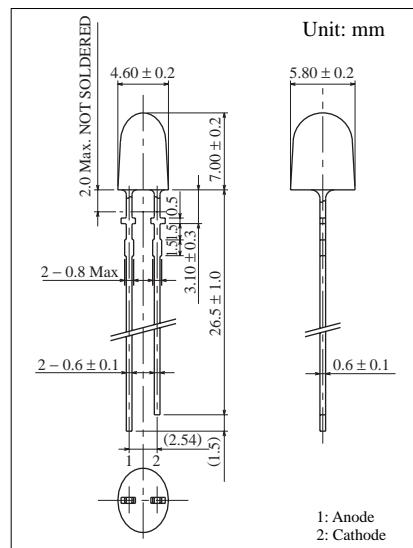
φ 5.0 mm Blue LNW9B2BZFZ

Conventional Part No. Global Parts No. Lighting Color
LNW9B2BZFZ LNW9B2BZFZ Blue

■ Absolute Maximum Ratings (T_a = 25°C)

Lighting Color	P _D (mW)	I _F (mA)	I _{FP} (mA)*	V _R (V)	T _{opr} (°C)	T _{stg} (°C)
Blue	120	30	100	4	-25 ~ +85	-30 ~ +100

I_{FP}の条件は μ duty 10% Pulse width 1 msec. The condition of I_{FP} is duty 10%, Pulse width 1 msec



■ Electro-Optical Characteristics (T_a = 25°C)

Conventional Part No.	Lighting Color	Lens Color	I _O			V _F		λ _p	Δλ	I _F	I _R	
			Typ	Min	I _F	Typ	Max	Typ	Typ		Max	V _R
LNW9B2BZFZ	Blue	Clear	460	—	20	3.7	4.3	468	30	20	1.3	0.9
Unit	—	—	mcd	mcd	mA	V	V	nm	nm	mA	μA	V

