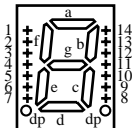


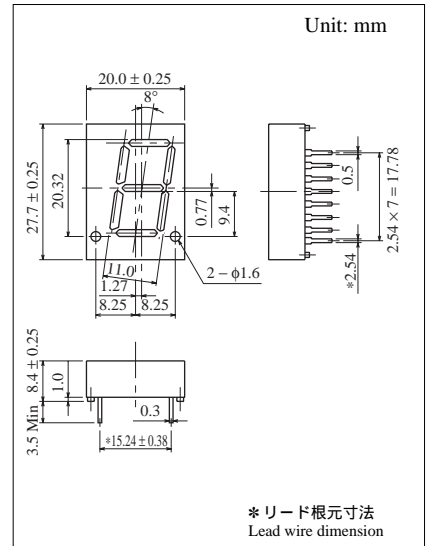
1 Digit 20.32 mm (.8") Series

| | | |
|-----------------------|------------------|----------------|
| Conventional Part No. | Global Part No. | Lighting Color |
| LN518YA | LNM418AA03 | Amber |
| LN518YK | LNM418KA03 | Amber |
| LN518OA | LNM818AA03 | Orange |
| LN518OK | LNM818KA03 | Orange |

端子接続 Terminal Connection



| Pin No. | Assignment | Assignment |
|---------|--------------|----------------|
| 1 | Cathode a | Anode a |
| 2 | Cathode f | Anode f |
| 3 | Common Anode | Common Cathode |
| 4 | Cathode e | Anode e |
| 5 | Common Anode | Common Cathode |
| 6 | Cathode dp1 | Anode dp1 |
| 7 | Common Anode | Common Cathode |
| 8 | Cathode dp2 | Anode dp2 |
| 9 | Cathode d | Anode d |
| 10 | Common Anode | Common Cathode |
| 11 | Cathode c | Anode c |
| 12 | Cathode g | Anode g |
| 13 | Cathode b | Anode b |
| 14 | Common Anode | Common Cathode |



■絶対最大定格 Absolute Maximum Ratings (T_a = 25°C)

| Lighting Color | P _D (mW) | I _F (mA) | I _{FP} (mA)* | V _R (V) | T _{opr} (°C) | T _{stg} (°C) |
|----------------|---------------------|---------------------|-----------------------|--------------------|-----------------------|-----------------------|
| Amber | 60 | 20 | 100 | 5 | -25 ~ +80 | -30 ~ +85 |
| Orange | 60 | 20 | 100 | 3 | -25 ~ +80 | -30 ~ +85 |

I_{FP}の条件は duty 10% ,pulse width 1 msec. The condition of I_{FP} is duty 10%, Pulse width 1 msec

■電気的光学的特性 Electro-Optical Characteristics (T_a = 25°C)

| Conventional Part No. | Lighting Color | Common | I _O / seg | | I _F | V _F | | λ _P | Δλ | I _F | I _R | | |
|-----------------------|----------------|---------|----------------------|-----|----------------|----------------|-----|----------------|-----|----------------|----------------|----------------|---|
| | | | Typ | Min | | Typ | Max | | | | Max | V _R | |
| LN518YA | Amber | Anode | 800 | 300 | 300 | 10 | 2.2 | 2.8 | 590 | 30 | 20 | 10 | 5 |
| LN518YK | Amber | Cathode | 800 | 300 | 300 | 10 | 2.2 | 2.8 | 590 | 30 | 20 | 10 | 5 |
| LN518OA | Orange | Anode | 1200 | 300 | 500 | 10 | 2.1 | 2.8 | 630 | 40 | 20 | 10 | 3 |
| LN518OK | Orange | Cathode | 1200 | 300 | 500 | 10 | 2.1 | 2.8 | 630 | 40 | 20 | 10 | 3 |
| Unit | — | — | μcd | μcd | μcd | mA | V | V | nm | nm | mA | μA | V |

