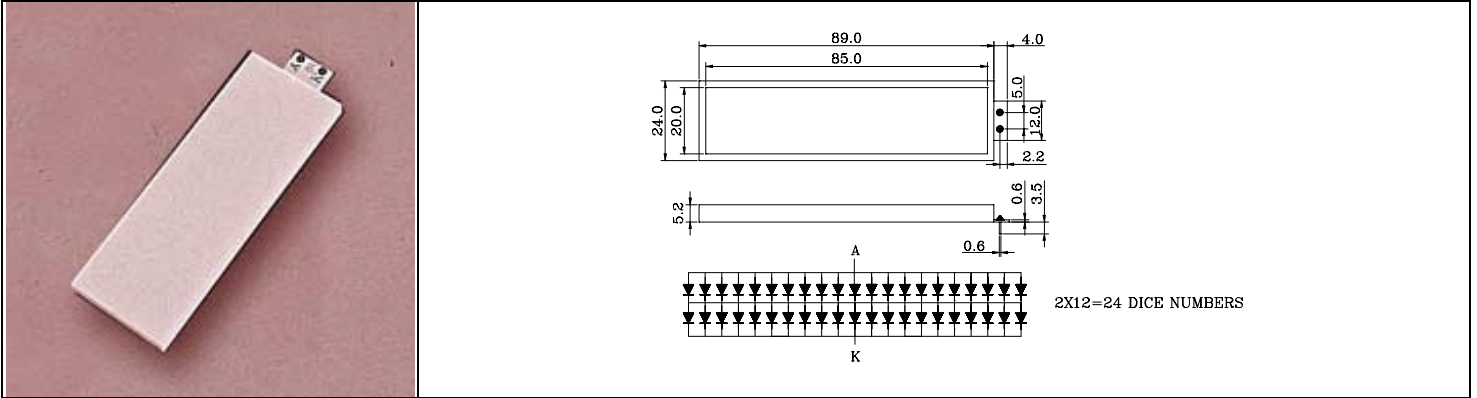


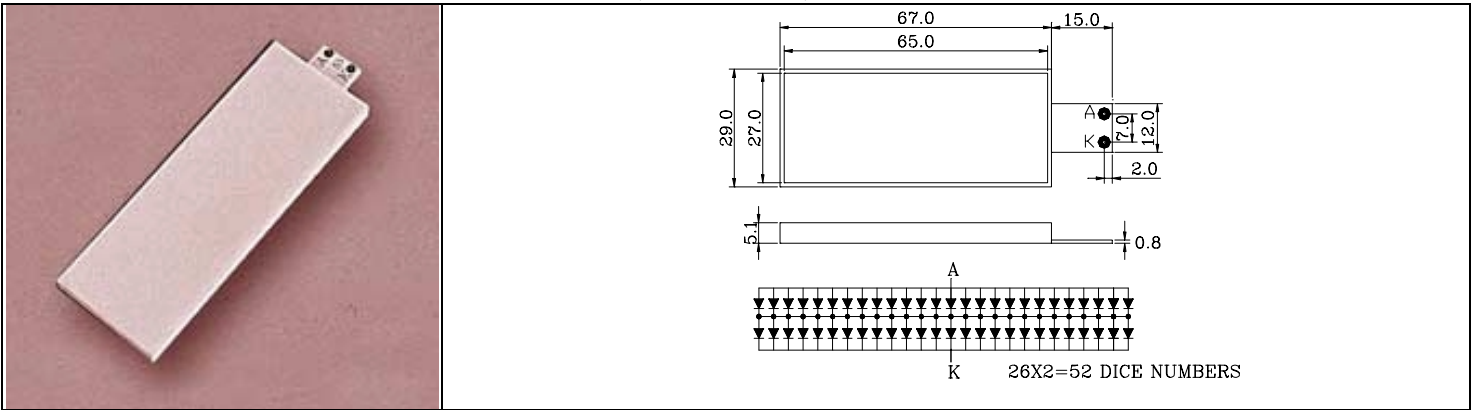


**K-04211GX-P** LCD BACK LIGHT, COB TYPE, LCD CHARACTER 20 X 2



Part No.	Luminous Area (mm)	Chip		Wave Length $\lambda$ p(nm)	Electro-Optical Characteristics		
		Raw Material	Emitted Color		Input Current	$I_v$ (cd/m <sup>2</sup> ) Typ.	Vf(V) Typ.
K-04211GX-P	20.0X85.0mm	GaP	Yellow Green	570	$I_F=210$ mA	150	4.2

**K-05205GX** LCD BACK LIGHT, COB TYPE, LCD CHARACTER 16 X 4



Part No.	Luminous Area (mm)	Chip		Wave Length $\lambda$ p(nm)	Electro-Optical Characteristics		
		Raw Material	Emitted Color		Input Current	$I_v$ (cd/m <sup>2</sup> ) Typ.	Vf(V) Typ.
K-05205GX	27.0X65.0mm	GaP	Yellow Green	570	$I_F=260$ mA	140	4.2

- 1.All dimension are in millimeters.
- 2.Tolerance is  $\pm 0.20$  mm unless otherwise specified.