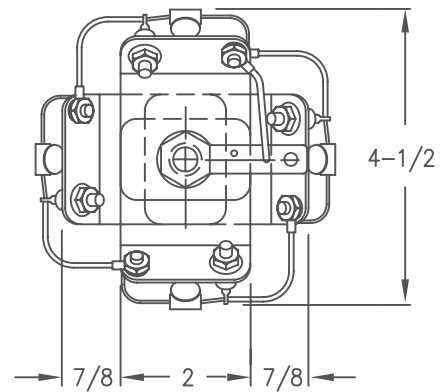
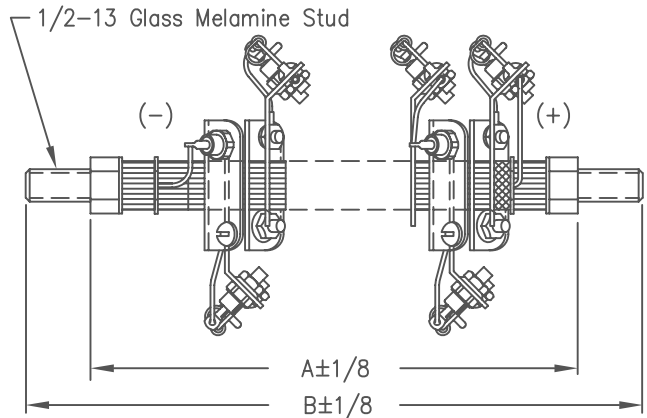
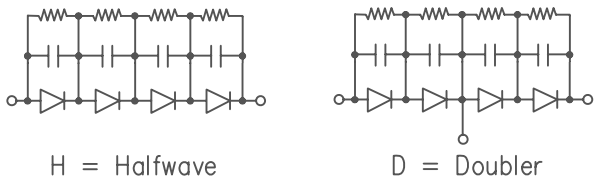


High Voltage Rectifier Assembly JHV37 Series



Mounting: Horizontal (convection cooling)
 Horizontal or vertical (forced air or oil)
 DC output rating— 15 Amps/25°C convection cooled
 - 38 Amps/40°C forced air cooled
 @ 1000 LFM
 - 57 Amps/40°C oil cooled
 Peak Reverse voltage— from 8KV to 80KV



- Single Phase Halfwave Or Doubler
- Aluminum Heatsinks
- Each Diode is R-C Compensated
- 1500 Amperes Surge Current (1 Cycle)
- Resistive - Inductive Load. Derate 20% for Capacitive Loads

CATALOG NUMBER	PRV RATING KV	DIMENSION A	DIMENSION B
JHV37*8	8	5-1/8	7-1/4
JHV37*12	12	6-1/4	8-1/4
JHV37*16	16	7-3/8	9-1/2
JHV37*20	20	8-1/2	10-1/2
JHV37*24	24	9-5/8	11-3/4
JHV37*28	28	10-3/4	12-3/4
JHV37*32	32	11-7/8	14
JHV37*36	36	13	15
JHV37*40	40	14-1/8	16-1/4
JHV37*44	44	15-1/4	17-1/4
JHV37*48	48	16-3/8	18-1/2
JHV37*52	52	17-1/2	19-1/2
JHV37*56	56	18-5/8	20-3/4
JHV37*60	60	19-3/4	21-3/4
JHV37*64	64	20-7/8	23
JHV37*68	68	22	24
JHV37*72	72	23-1/8	25-1/4
JHV37*76	76	24-1/4	26-1/2
JHV37*80	80	25-3/8	27-1/2

*Add H or D For doublers add 1" to both dimensions A & B

JHV37

