

Integrated Device Technology, Inc.

NICStAR Reference Design 25Mbps ATM Network Interface Card (NIC) with PCI interface and UTP3

ADVANCED INFORMATION IDT77916

FEATURES:

- Complete 25Mbps PCI-bus ATM Network Interface Card
- Complete reference design including schematics, bill of materials, and data bases needed for production.
- Supports 33MHz, 32-bit PCI 2.0 bus
- 25Mbps UTP-3 PHY interface
- Capable of supporting 4K receive connections
- Supports tens of thousands of transmit connections
- E² PROM layout for Sub-vendor ID
- Small Form Factor: 2 x 6 inches
- 2 LEDs: Transmit and Receive
- "SARWIN" software evaluation program available for Windows 3.1™
- Third Party Software available:
 - Telogy Networks
Windows NT™ Drivers and other Windows Drivers
21 Firstfield Road, Gaithersburg, Maryland 20878
(301) 527-2788 (phone) (301) 417-0324 (FAX)
hluterman@telogy.com
 - Harris & Jefferies
Novel Netware™ Drivers
888 Washington Street, Dedham,
Massachusetts, 02026
(617) 329-3200 (phone) (617) 329-4148 (FAX)
chrisb@hjinc.com
 - Advancenet Systems Inc.
Windows NT™ and Windows 95™ Drivers
406 Timbermill Rd., Durham, North Carolina 27713
(919) 544-5601 (phone) (919) 544-4601 (FAX)
j.harford@ieee.org or
75141,2635@compuserve.com

DESCRIPTION:

The IDT77916 is the first reference design for full, 25Mbps ATM Network Interface Card (NIC) from IDT. The IDT NIC card reference designs and evaluation cards provide the fastest way to for OEMs to get their ATM software and hardware up and running.

IDT will provide, upon request, all documentation, drawings, parts lists, and data bases required to manufacture this card. IDT also has the board level assembly capabilities to provide ready to "plug and play" NICs at competitive prices.

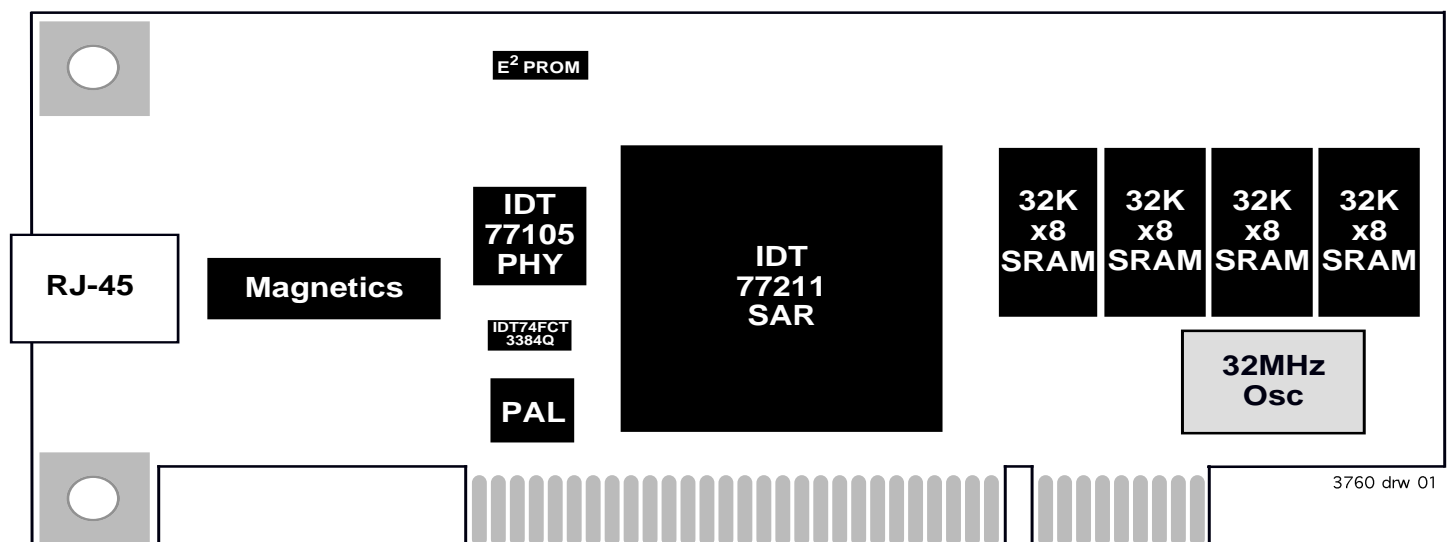
Together with your company designed software drivers, or the third party software drivers available, 25Mbps ATM is here today.

The heart of the board is the IDT77211 NICStAR which is an ATM Segmentation And Reassembly (SAR) controller. The physical interface is provided by the IDT77105 PHY that provides both the Transmission Convergence (TC) and Physical Media Dependent (PMD) layers in one device.

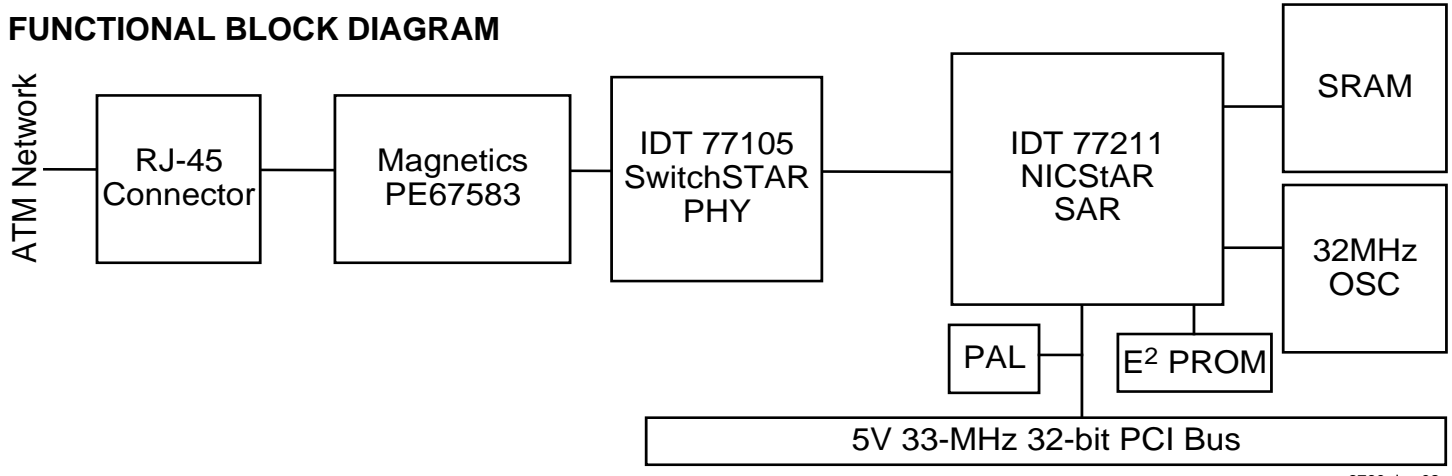
The IDT77916 supports Unshielded Twisted Pair, Category 3 (UTP-3) cabling. The IDT77916 features complete PCI 2.0-bus ATM NIC functionality, plugging directly into PCI bus expansion slots.

The IDT77916 can be used in conjunction with the IDT provided "SARWIN" program. SARWIN allows access into SAR, PHY, host memory, local SRAM on the NIC card and each register in each device. You are able to configure each component on the card and setup the host for transmission of and receiving cells. It is an excellent evaluation tool for the NIC and each of its components.

77916 BOARD DIAGRAM



FUNCTIONAL BLOCK DIAGRAM



3760 drw 02

ORDERING INFORMATION

IDT	NNNNN	A	NNN	A	A		
	Device Type	Power	Speed	Package	Process/ Temp. Range		
					Blank	Commercial	
					Blank		
					Blank		
					Blank		
					77916	25Mb/s ATM Network Interface Card (NIC) with PCI connection	

3760 drw 03

ADVANCE INFORMATION DATASHEET: DEFINITION

"Advance Information" datasheets contain initial descriptions, subject to change, for products which are in development, including features and block diagrams.

Datasheet Document History

1/15/97: Initial Draft

Integrated Device Technology, Inc. reserves the right to make changes to the specifications in this data sheet in order to improve design or performance and to supply the best possible product.