

**HP 8481A
HP 8482A
HP 8483A
POWER SENSOR**

SERIAL NUMBERS

This manual applies directly to instruments with serial numbers prefixed:

HP 8481A: 2702A
HP 8482A: 2652A
HP 8483A: 2701A

With the changes described in the Appendix, this manual also applies to instruments with serial numbers prefixed:

HP 8481A: 1550A, 1926A, 2237A, 2349A, 2552A
HP 8482A: 1551A, 1925A, 2237A, 2349A, 2607A
HP 8483A: 1602A, 1925A, 2243A, 2329A, 2351A,
2405A, 2623A

For additional important information about serial numbers, see "Instruments Covered By Manual".



© Copyright HEWLETT-PACKARD COMPANY 1975, 1979, 1986, 1990

MANUAL PART NO. 08481-90049

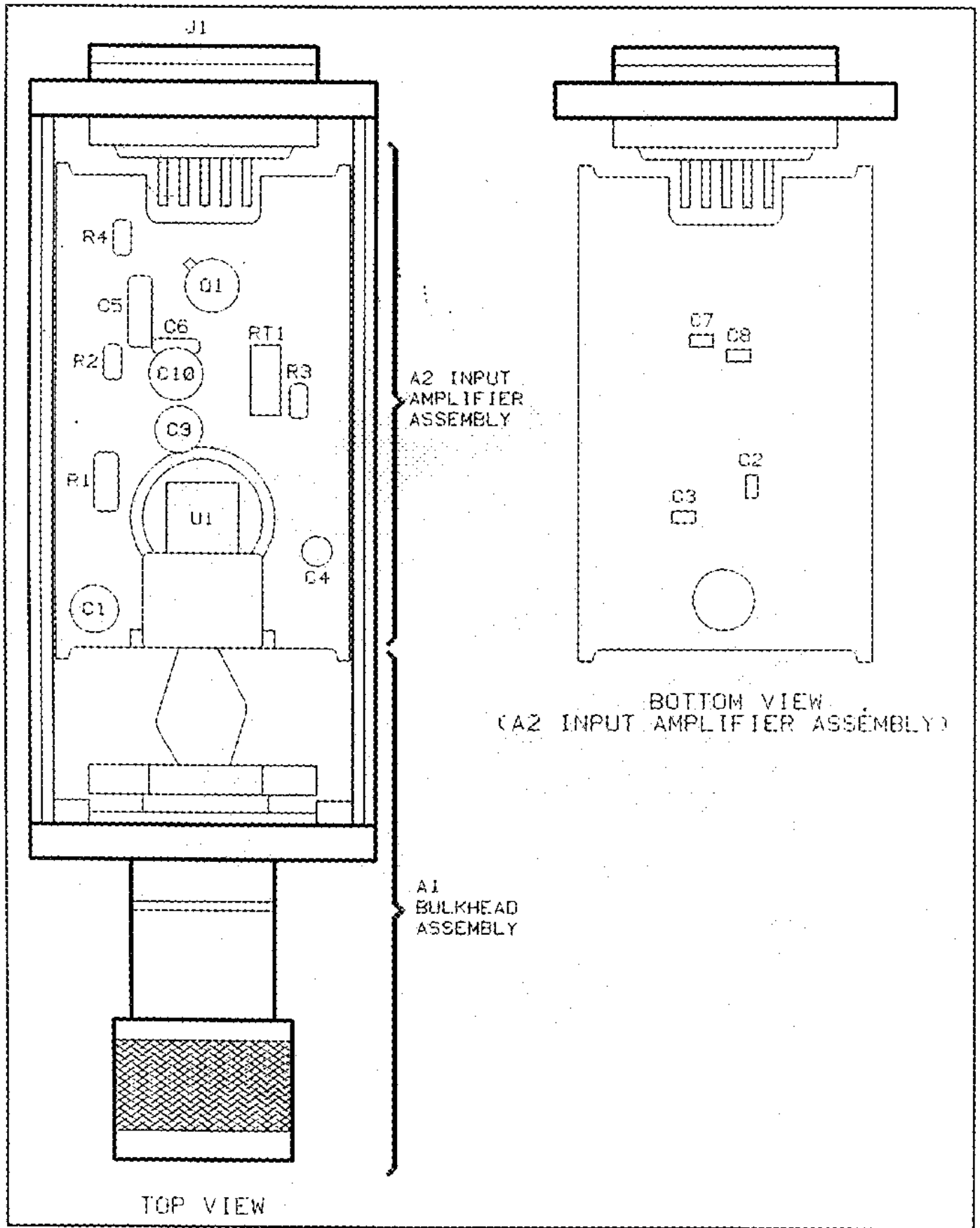


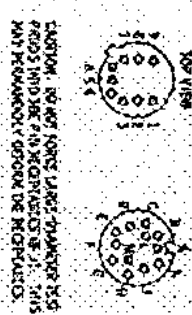
Figure 3. Component and Assembly Locations

Figure 4. Schematic Diagram

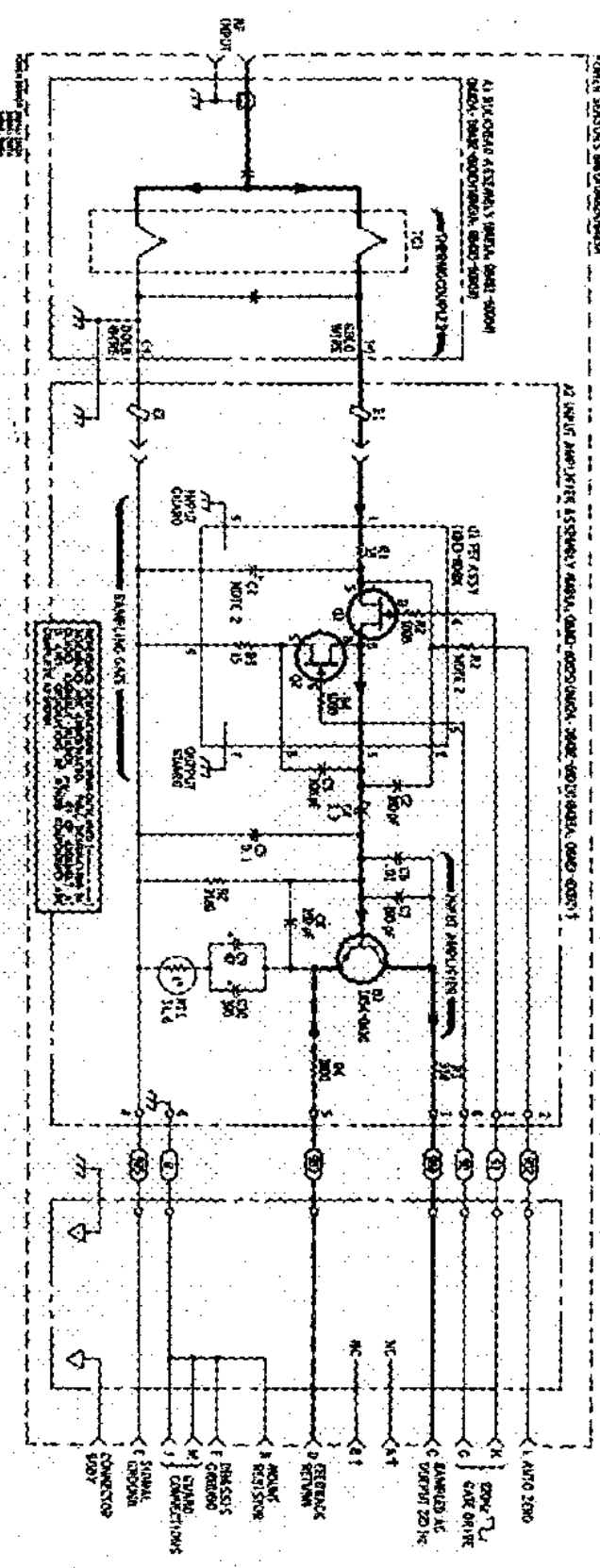
1. ALL SIGNALS INDICATED BY THIS SYMBOL ARE NOT FIELD REPAIRABLE.
2. COMPONENTS OF THE ASSEMBLY ARE NOT SEPARATELY REPLACEABLE.
3. USE TO OBTAIN ADDITIONAL INFORMATION IN THE APPENDIX.

- NOTES:
1. UNLESS INDICATED OTHERWISE, RESISTANCE IN OHMS.
 2. CAPACITANCE IN MICROFARADS.
 3. THE VALUES OF COMPONENTS (R1, R2, AND R3) ARE AS SHOWN.
 4. R1 = 10K, R2 = 10K, R3 = 10K.
 5. R4 = 10K, R5 = 10K, R6 = 10K.
 6. R7 = 10K, R8 = 10K, R9 = 10K.
 7. R10 = 10K, R11 = 10K, R12 = 10K.
 8. R13 = 10K, R14 = 10K, R15 = 10K.
 9. R16 = 10K, R17 = 10K, R18 = 10K.
 10. R19 = 10K, R20 = 10K, R21 = 10K.
 11. R22 = 10K, R23 = 10K, R24 = 10K.
 12. R25 = 10K, R26 = 10K, R27 = 10K.
 13. R28 = 10K, R29 = 10K, R30 = 10K.
 14. R31 = 10K, R32 = 10K, R33 = 10K.
 15. R34 = 10K, R35 = 10K, R36 = 10K.
 16. R37 = 10K, R38 = 10K, R39 = 10K.
 17. R40 = 10K, R41 = 10K, R42 = 10K.
 18. R43 = 10K, R44 = 10K, R45 = 10K.
 19. R46 = 10K, R47 = 10K, R48 = 10K.
 20. R49 = 10K, R50 = 10K, R51 = 10K.
 21. R52 = 10K, R53 = 10K, R54 = 10K.
 22. R55 = 10K, R56 = 10K, R57 = 10K.
 23. R58 = 10K, R59 = 10K, R60 = 10K.
 24. R61 = 10K, R62 = 10K, R63 = 10K.
 25. R64 = 10K, R65 = 10K, R66 = 10K.
 26. R67 = 10K, R68 = 10K, R69 = 10K.
 27. R70 = 10K, R71 = 10K, R72 = 10K.
 28. R73 = 10K, R74 = 10K, R75 = 10K.
 29. R76 = 10K, R77 = 10K, R78 = 10K.
 30. R79 = 10K, R80 = 10K, R81 = 10K.
 31. R82 = 10K, R83 = 10K, R84 = 10K.
 32. R85 = 10K, R86 = 10K, R87 = 10K.
 33. R88 = 10K, R89 = 10K, R90 = 10K.
 34. R91 = 10K, R92 = 10K, R93 = 10K.
 35. R94 = 10K, R95 = 10K, R96 = 10K.
 36. R97 = 10K, R98 = 10K, R99 = 10K.
 37. R100 = 10K, R101 = 10K, R102 = 10K.

REFERENCE TO SIGNALS	ASSEMBLY
1	1
2	2
3	3
4	4
5	5
6	6
7	7
8	8
9	9
10	10
11	11
12	12
13	13
14	14
15	15
16	16
17	17
18	18
19	19
20	20
21	21
22	22
23	23
24	24
25	25
26	26
27	27
28	28
29	29
30	30
31	31
32	32
33	33
34	34
35	35
36	36
37	37
38	38
39	39
40	40
41	41
42	42
43	43
44	44
45	45
46	46
47	47
48	48
49	49
50	50
51	51
52	52
53	53
54	54
55	55
56	56
57	57
58	58
59	59
60	60
61	61
62	62
63	63
64	64
65	65
66	66
67	67
68	68
69	69
70	70
71	71
72	72
73	73
74	74
75	75
76	76
77	77
78	78
79	79
80	80
81	81
82	82
83	83
84	84
85	85
86	86
87	87
88	88
89	89
90	90
91	91
92	92
93	93
94	94
95	95
96	96
97	97
98	98
99	99
100	100



FRONT VIEW
BACK VIEW



NO POWER MOTOR VIA POWER SIGNAL CABLE

Table 5. Replacement Parts [1 of 2]

Reference Designation	HP Part Number	C	D	Qty	Description	Mfr Code	Manufacturer Part Number
A1	08481-60004	3	1	1	BULKHEAD, TYPE N (FOR 8481A ONLY)	28480	08481-60004
A1	08481-60005	4	1	1	BULKHEAD, APC-7 (FOR 8481A OPT 001 ONLY)	28480	08481-60005
A1	08482-60003	3	1	1	BULKHEAD, TYPE N (FOR 8482A ONLY)	28480	08482-60003
A1	08483-60003	4	1	1	BULKHEAD, TYPE N (FOR 8483A ONLY)	28480	08483-60003
A1MP1	1250-0918	0	1	1	NUT-CONN RF		
A1MP1	1250-1466	6	1	1	7MM RF CONNECTION ASSY (OPT 001 ONLY)		
A1MP2	1250-0816	0	1	1	RING, RF CONN		
A1MP3	1250-0916	9	1	1	BODY, RF CONN		
A1MP4	1250-0917	0	1	1	CONNECTOR, RF CONTACT		
A1MP4	1250-0816	8	1	1	7MM CONTACT (OPT 001 ONLY)		
A1MP5	1460-0977	7	1	1	SPRING, COMPR		
A1MP6	5020-3296	1	1	1	CENTER CONDUCTOR		
A1MP7	5020-3297	2	1	1	SLIDING CONTACT		
A1MP8	5040-0306	0	1	1	INSULATOR		
A1MP9	0470-0013	2	1	1	SEALANT-THD RED		
A1MP10	08481-20015	2	1	1	BULKHEAD		
A1MP11	08481-20016	3	1	1	CAP NUT		
A1MP12	08481-40006	3	1	1	POLYIRON SLUG (8481A ONLY)		
A1MP13	08481-60009	8	1	1	CARTRIDGE ASSY (8481A ONLY)		
A1MP13	08481-69009	6	1	1	RESTORED CARTRIDGE ASSY (8481A ONLY)		
A1MP13	08482-60004	4	1	1	CARTRIDGE ASSY (8482A ONLY)		
A1MP13	08483-60006	7	1	1	CARTRIDGE ASSY (8483A ONLY)		
A1MP14	3190-0831	0	1	1	.010 WASHER-FLAT		
A2	08481-60025	8	1	1	BD AY PWR SENSOR (FOR 8481A)	28480	08481-60025
A2	08482-60013	5	1	1	BD AY PWR SENSOR (FOR 8482A)	28480	08481-60013
A2	08483-60007	8	1	1	BD AY PWR SENSOR (FOR 8483A)	28480	08481-60007
A2	0590-1040	1	1	1	THREADED INSERT-NUT 0-80 .06-IN-LG SST	46384	YC3-1505
A2C1	0180-2515	8	1	1	CAP-FXD 47uF 6 V TA (FOR 8481A ONLY)	28480	0180-2515
A2C1	0180-2781	0	1	1	CAP-FXD 39uF 10 V TA (FOR 8482A ONLY)	28480	0180-2781
A2C1	0180-3210	2	1	1	CAP-FXD 47uF 10 V TA (FOR 8483A ONLY)	04213	11901161
A2C2	0160-0565	2	4	4	CAP-FXD 1000pF 100 V (FOR 8481A AND 8482A)		
A2C2	0160-4306	2	1	1	CAP-FXD 100pF 100 V (FOR 8483A ONLY)	95275	VJ0805Y102MF
A2C3	0160-0565	2	4	4	CAP-FXD 1000pF 100 V (FOR 8481A AND 8482A)		
A2C3	0160-4306	2	1	1	CAP-FXD 100pF 100 V (FOR 8483A ONLY)	95275	VJ0805Y102MF
A2C4	0180-0594	9	1	1	CAP-FXD 3.3uF 15 V TA		202L1602-335-M4
A2C5	0160-3094	8	1	1	CAP-FXD 0.1uF 100 V	04222	SR301C104KAAH
A2C6	0160-3879	7	1	1	CAP-FXD 0.01uF 100 V	04222	SR201C103NAAH
A2C7	0160-0565	2	4	4	CAP-FXD 1000pF 100 V (FOR 8481A AND 8482A)		
A2C7	0160-4306	2	1	1	CAP-FXD 100pF 100 V (FOR 8483A ONLY)	95275	VJ0805Y102MF
A2C8	0160-0565	2	4	4	CAP-FXD 1000pF 100 V (FOR 8481A AND 8482A)		
A2C8	0160-4306	2	1	1	CAP-FXD 100pF 100 V (FOR 8483A ONLY)	95275	VJ0805Y102MF
A2C9	0180-2515	8	1	1	CAP-FXD 47uF 6 V TA		202L6301-476-M7-552
A2C10	0180-2545	4	1	1	CAP-FXD 100uF 4 V TA		202L6301-107-M6-552
A2G1	1854-8610	0	1	1	TRANSISTOR NPN SI TO-46 FT=800MHZ	04713	
A2R1	0698-3260	9	1	1	RESISTOR 464K +-1% .125W TF TC=0+-100 (FOR 8481A ONLY)	28480	0698-3260
A2R1	0757-0483	8	1	1	RESISTOR 562K +-1% .125W TF TC=0+-100 (FOR 8482A ONLY)	28480	0757-0483
A2R1	0698-8352	9	1	1	RESISTOR 787K +-1% .125W TF TC=0+-100 (FOR 8483A ONLY)	28480	0698-8352

Table 5. Replacement Parts [2 of 2]

Reference Designation	HP Part Number	D	C	Qty	Description	Mfr Code	Manufacturer Part Number
A2R2	0698-7268	1		1	RESISTOR 3.16K +-1% .05W 1F TC=0+-100	24546	C3-1/8-10-316K-F
A2R3	0698-7224	3		1	RESISTOR 316K +-1% .05W 1F TC=0+-100	24546	C3-1/8-10-316K-F
A2R4	0698-7236	7		1	RESISTOR 1K +-1% .05W 1F TC=0+-100	24546	C3-1/8-10-1001-F
A2R1	0811-3210	1		1	RESISTOR 31.6 +-5% .05W 1F TC=+5040+-250	14140	1409-1/20-3186-J
A2U1	1813-0060	8		1	IC MISC 10-8 PKG	28480	1813-0060
	0590-1040	1		1	THREADED INSERT-MUT 0-80 .06-IN-LG S51	28480	0590-1040
	5060-6938	6		1	SPACER	28480	5060-6938
J1	08481-60024	7		1	CONNECTOR ASSEMBLY, 12-PIN	28480	08481-60024
MP1	08481-40002	9		2	SHELL, PLASTIC	28480	08481-40002
MP2	08481-40002	9		2	SHELL, PLASTIC	28480	08481-40002
MP3	08481-20011	8		2	CHASSIS	28480	08481-20011
MP4	08481-20011	8		8	CHASSIS	28480	08481-20011
MP5	08481-20008	3		1	END BELL	28480	08481-20008
MP6	1460-1978	0		1	SPRING-CPRSN .088-IN-OD, 188-IN-DA-KG	28480	1460-1978
MP7	1251-3363	8		1	MUT-AUDIO CONN	28480	1251-3363
MP8	08481-00002	5		2	SHIELD	28480	08481-00002
MP9	08481-00002	5		5	SHIELD	28480	08481-00002
MP10	3030-0954	1		9	SCREW-SKT HD CAP 0-80, 188-IN-LG S51-304	28480	3030-0954
MP11	3030-0954	1		1	SCREW-SKT HD CAP 0-80, 188-IN-LG S51-304	28480	3030-0954
MP12	3030-0954	1		1	SCREW-SKT HD CAP 0-80, 188-IN-LG S51-304	28480	3030-0954
MP13	3030-0954	1		1	SCREW-SKT HD CAP 0-80, 188-IN-LG S51-304	28480	3030-0954
MP14	3030-0954	1		1	SCREW-SKT HD CAP 0-80, 188-IN-LG S51-304	28480	3030-0954
MP15	3030-0954	1		1	SCREW-SKT HD CAP 0-80, 188-IN-LG S51-304	28480	3030-0954
MP16	3030-0954	1		1	SCREW-SKT HD CAP 0-80, 188-IN-LG S51-304	28480	3030-0954
MP17	3030-0954	1		1	SCREW-SKT HD CAP 0-80, 188-IN-LG S51-304	28480	3030-0954
MP18	3030-0954	1		1	SCREW-SKT HD CAP 0-80, 188-IN-LG S51-304	28480	3030-0954
MP19	3030-0422	8		7	SCREW-SKT HD CAP 0-80, 188-IN-LG S51-302	28480	3030-0954
MP20	3030-0422	8		8	SCREW-SKT HD CAP 0-80, 188-IN-LG S51-302	00000	ORDER BY DESCRIPTION
MP21	3030-0422	8		8	SCREW-SKT HD CAP 0-80, 188-IN-LG S51-302 (USED TO MOUNT THE PRINTED CIRCUIT BOARD)	00000	ORDER BY DESCRIPTION
MP22	3030-0422	8		8	SCREW-SKT HD CAP 0-80, 188-IN-LG S51-302 (USED TO MOUNT THE PRINTED CIRCUIT BOARD)	00000	ORDER BY DESCRIPTION
MP23	3030-0436	4		1	SCREW-SKT HD CAP 0-80, 5-IN-LG S51-300	00000	ORDER BY DESCRIPTION
MP24	5040-6939	7		1	CLAMP	28480	5040-6939
MP25	5040-6940	0		1	BLDCK	28480	5040-6940
MP26	1250-0597	2		1	ADAPTER COAX STR M-X F-N	28480	1250-0597
MP27	08481-80002	3		1	8481A ID LABEL	28480	08481-80002
MP28	08482-80002	4		1	8482A ID LABEL	28480	08482-80002
MP29	08483-80001	6		1	8483A ID LABEL	28480	08483-80001
MP30	08486-80001	7		1	CAL LABEL (BLANK)	28480	08486-80001
MP31	08481-80005	6		1	MYLAR TAPE (COVERS CAL LABEL)	28480	08481-80005
MP32	08486-80005	1		1	INFO LABEL (SIDE)	28480	08486-80005
MP33	7120-2422	7		1	WARNING LABEL (SIDE)	28480	7120-2422