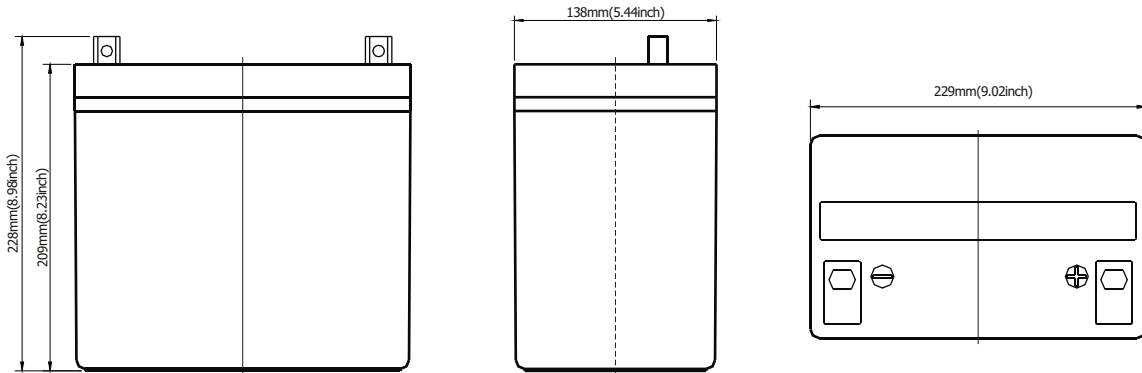


Standard Terminal Dimensions
(Optional terminal please check terminal information page)



AGM and Gel

Range batteries uses the advanced GEL design which combines the best features of AGM and GEL construction into one battery line, and the purity fumed silica to form sulfuric acid thixotropic Gel and fills to the batteries with vacuum to ensure the fully penetration of electrolyte through separators and plates pastes.

This range battery are designed to meet the requirement of frequent cyclic and high temperature application such as boardband, PVs etc.

Application

- | | |
|-----------------------------|-----------------------|
| Broadband | Electric Powered Toys |
| Electric Powered Vehicles | Control System |
| UPS | Vacuum Cleaners |
| Photovoltaic & Solar System | Medical Equipments |
| | Golf Cars and Buggies |
| | Wheel Chairs |

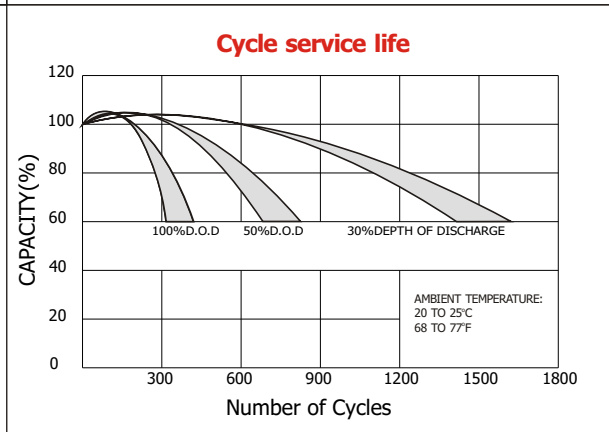
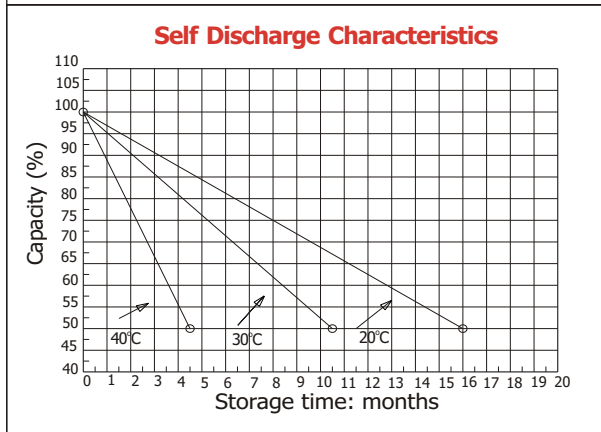
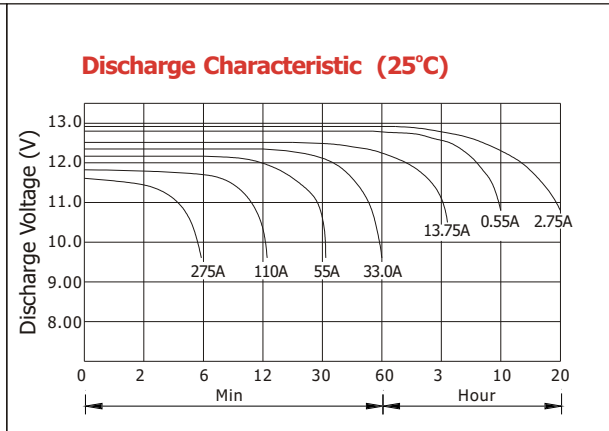
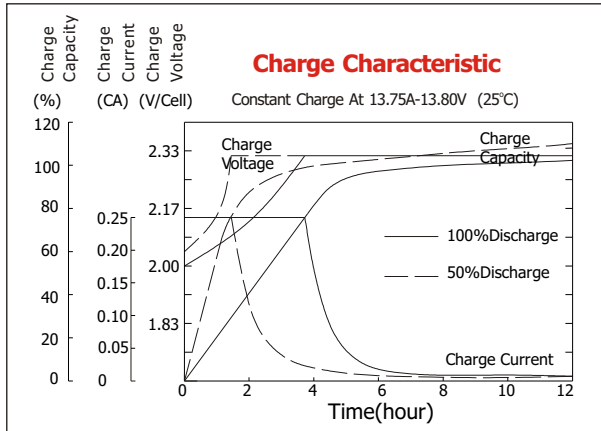
General Features

- Ideal for cyclic uses
- Good tolerance to higher temperature applications.
- ABS containers and covers(UL94HB, UL94V-0) optional.
- Safety valve installation for explosion proof.
- Higher safety & reliable construction.
- Extra durability and deep cycle ability for heavy demand applications.
- Low self discharge characteristic.
- Good tolerance to higher temperature applications.

Construction

- | | | | |
|-----------|-------------------|--------------|------------------------------------|
| Component |Raw material | Sealant |Epoxy Resin |
| Positive |Lead dioxide | Safety valve |EPDR |
| Negative |Lead | Terminal |Lead |
| Container |ABS | Separator |AGM |
| Cover |ABS | Electrolyte |sulfuric acid thixotropic Gel |

Battery Model	GT12-55AG			
Designed Life	10 Years (Floating) or > 750 Cycles @ 50% D.O.D			
Capacity(25°C)	20HR(2.75A,1.75V)	10HR(5.4A,1.75V)	5HR(9A,1.75V)	1HR(33A,1.75V)
	55AH	54AH	45AH	33AH
Dimensions	Length	Width	Height	Total Height
	230mm(9.04inch)	138mm(5.44inch)	209mm(8.23inch)	228mm(8.98inch)
Approx. Weight	17Kg (37.5 lbs)			
Internal Resistance	Full charged at 25°C: 0.006 Ohm			
Self Discharge	3% of capacity declined per month at (25°C)			
Capacity Affected by Temp.(20HR)	40°C	25°C	0°C	-15°C
	102%	100%	85%	65%
Charge Voltage(25°C)	Cycle use		Float use	
	14.4-15V(-30mV/ °C), max. Current: 13.75A		13.6-13.8V(-20mV/ °C)	



Constant current discharge ratings-amperes at 25°C

F. V/Time	5MIN	10MIN	15MIN	30MIN	1HR	3HR	5HR	10HR	20HR
1.60V	193	132	96.3	57.8	36.3	15.0	10.5	5.83	2.90
1.67V	173	120	93.5	56.1	36.2	15.0	10.4	5.74	2.89
1.70V	164	116	90.2	55.0	36.1	15.0	10.4	5.70	2.89
1.75V	146	107	85.3	53.9	35.8	14.9	10.3	5.60	2.88
1.80V	132	100	81.4	52.3	35.3	14.8	10.2	5.50	2.77
1.85V	100	82.0	70.4	48.1	34.9	14.7	10.2	5.41	2.73

Constant power discharge ratings-watts at 25°C

F. V/Time	5MIN	10MIN	15MIN	30MIN	1HR	3HR	5HR	10HR	20HR
1.60V	317	219	171	109	71.5	28.8	20.1	11.7	5.80
1.67V	301	216	169	107	69.1	28.8	20.1	11.5	5.78
1.70V	281	211	166	104	67.3	28.8	20.1	11.4	5.78
1.75V	262	197	156	101	66.7	28.4	19.9	11.2	5.75
1.80V	235	183	147	98.5	65.6	28.0	19.5	11.0	5.55
1.85V	188	152	128	90.2	65.0	27.9	19.3	10.8	5.45

