

GHB-3M35-G

Features

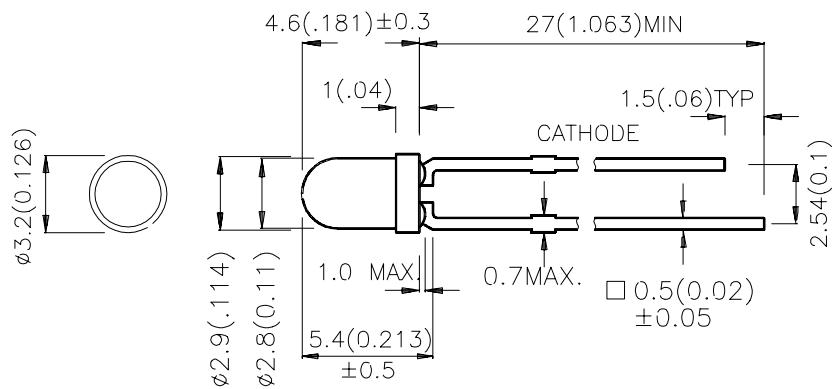
- ✓ LOW POWER CONSUMPTION.
- ✓ GENERAL PURPOSE LEADS.
- ✓ RELIABLE AND RUGGED.
- ✓ LONG LIFE - SOLID STATE RELIABILITY.
- ✓ AVAILABLE ON TAPE AND REEL.

Description

The Green source color devices are made with InGaN on SiC Light Emitting Diode.

T-1 (3mm) SOLID STATE LAMP

Package Dimensions



Notes:

1. All dimensions are in millimeters (inches).
2. Tolerance is $0.25 (0.01)$ unless otherwise noted.
3. Lead spacing is measured where the lead emerge package.
4. Specifications are subject to change without notice.

Selection Guide

| Part No. | Dice | Lens Type | Iv (mcd) @ 20 mA | | Viewing Angle |
|------------|---------------|-------------|---------------------|------|------------------|
| | | | Min. | Typ. | |
| GHB-3M35-G | GREEN (InGaN) | WATER CLEAR | 1500 | 2000 | 34 |

Note:

- 1/2 is the angle from optical centerline where the luminous intensity is 1/2 the optical centerline value.

Electrical / Optical Characteristics at T_A=25 C

| Symbol | Parameter | Device | Typ. | Max. | Units | Test Conditions |
|----------------|--------------------------|--------|------|------|-------|---------------------------|
| peak | Peak Wavelength | Green | 518 | | nm | I _F =20mA |
| D | Dominate Wavelength | Green | 525 | | nm | I _F =20mA |
| 1/2 | Spectral Line Half-width | Green | 36 | | nm | I _F =20mA |
| C | Capacitance | Green | 50 | | pF | V _F =0V;f=1MHz |
| V _F | Forward Voltage | Green | 4.0 | 4.5 | V | I _F =20mA |
| I _R | Reverse Current | Green | | 10 | uA | V _R = 5V |

Absolute Maximum Ratings at T_A=25 C

| Parameter | Green | Units |
|-------------------------------|---------------------|-------|
| Power dissipation | 120 | mW |
| DC Forward Current | 30 | mA |
| Peak Forward Current [1] | 150 | mA |
| Reverse Voltage | 5 | V |
| Operating/Storage Temperature | -40 C To +85 C | |
| Lead Solder Temperature [2] | 260 C For 5 Seconds | |

Notes:

1. 1/10 Duty Cycle, 0.1ms Pulse Width.
2. 2mm below package base.

