

## GHB-3M20-B

### Features

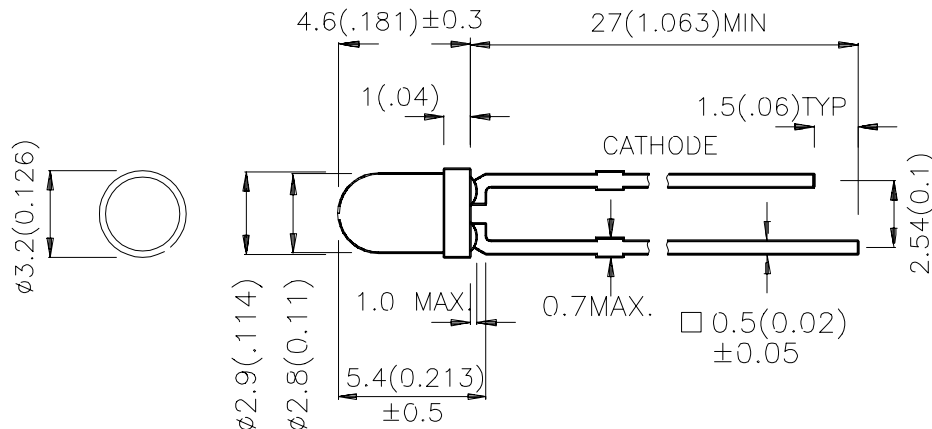
- ✓ LOW POWER CONSUMPTION.
- ✓ POPULAR T-1 DIAMETER PACKAGE.
- ✓ GENERAL PURPOSE LEADS.
- ✓ RELIABLE AND RUGGED.
- ✓ LONG LIFE - SOLID STATE RELIABILITY.
- ✓ AVAILABLE ON TAPE AND REEL.

### Description

The Blue source color devices are made with InGaN on SiC Light Emitting Diode.

### T-1 (3mm) SOLID LED LAMP

### Package Dimensions



#### Notes:

1. All dimensions are in millimeters (inches).
2. Tolerance is  $0.25 (0.01)$  unless otherwise noted.
3. Lead spacing is measured where the lead emerge package.
4. Specifications are subject to change without notice.

## Selection Guide

Part No.	Dice	Lens Type	Iv (mcd) @ 20 mA		Viewing Angle
			Min.	Typ.	
GHB-3M20-B	BLUE (InGaN)	WATER CLEAR	280	550	20

Note:

1. 1/2 is the angle from optical centerline where the luminous intensity is 1/2 the optical centerline value.

## Electrical / Optical Characteristics at T<sub>A</sub>=25 C

Symbol	Parameter	Device	Typ.	Max.	Units	Test Conditions
peak	Peak Wavelength	Blue	465		nm	I <sub>F</sub> =20mA
D	Dominate Wavelength	Blue	470		nm	I <sub>F</sub> =20mA
1/2	Spectral Line Half-width	Blue	25		nm	I <sub>F</sub> =20mA
C	Capacitance	Blue	110		pF	V <sub>F</sub> =0V;f=1MHz
V <sub>F</sub>	Forward Voltage	Blue	3.7	4.3	V	I <sub>F</sub> =20mA
I <sub>R</sub>	Reverse Current	Blue		10	uA	V <sub>R</sub> = 5V

## Absolute Maximum Ratings at T<sub>A</sub>=25 C

Parameter	Blue	Units
Power dissipation	120	mW
DC Forward Current	30	m A
Peak Forward Current [1]	160	mA
Reverse Voltage	5	V
Operating/Storage Temperature	-40 C To +85 C	
Lead Solder Temperature [2]	260 C For 5 Seconds	

Notes:

1. 1/10 Duty Cycle, 0.1ms Pulse Width.
2. 2mm below package base.

