

2012 Size

1.71-1.91GHz Band Chip Multilayer RF Transformer

Impedance Ratio 50:200

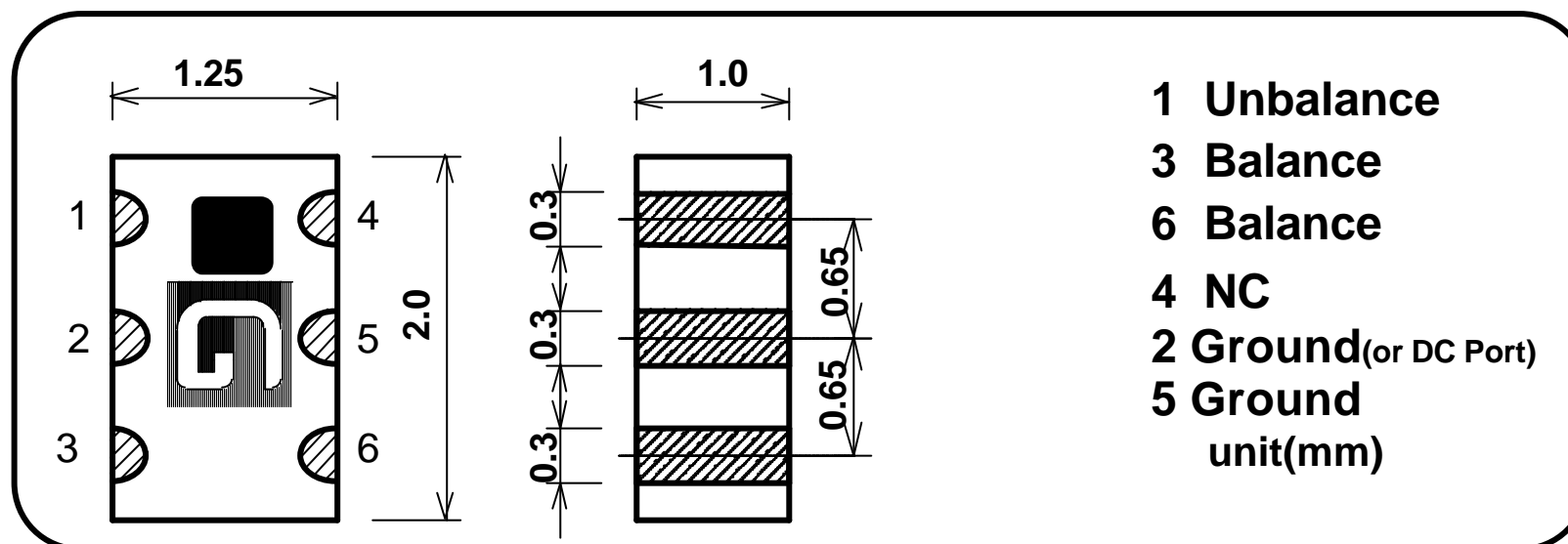
FSLT-S180G

All the technical data and information contained herein are subject to change without notice.



LT-FSLT-S180G-0410A

Shape & Size



Specifications

P/N	Frequency Range(GHz)	Impedance ratio	Insertion Loss *1	Amplitude Balance	Phase Balance	Handling Power	Temperature Range
FSLT-S180G	1.71-1.91	50:200	1.0dB Max.	1.0dB Max.	180 +/- 10deg.	1W Max.	-35 to +85 deg.C

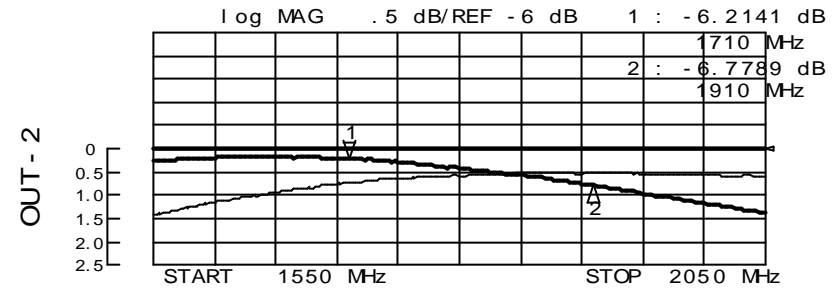
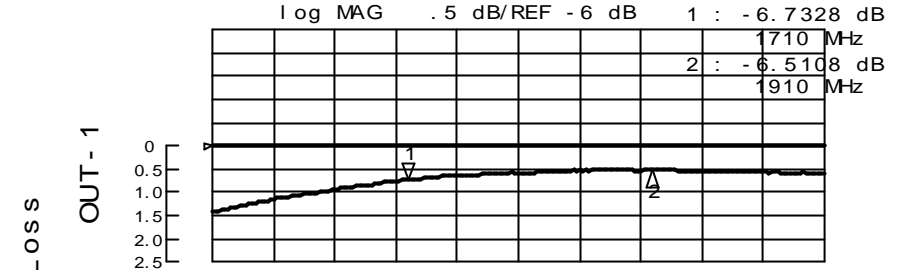
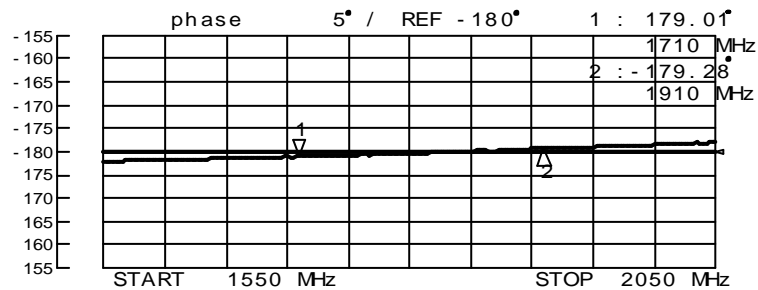
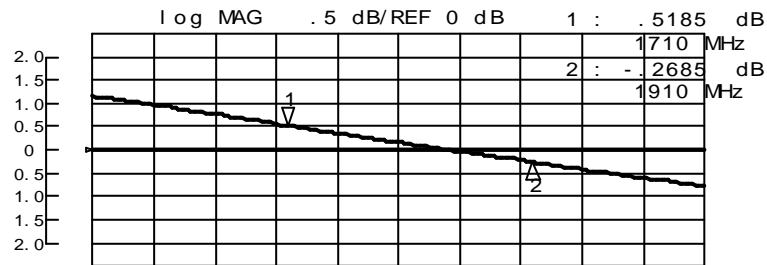
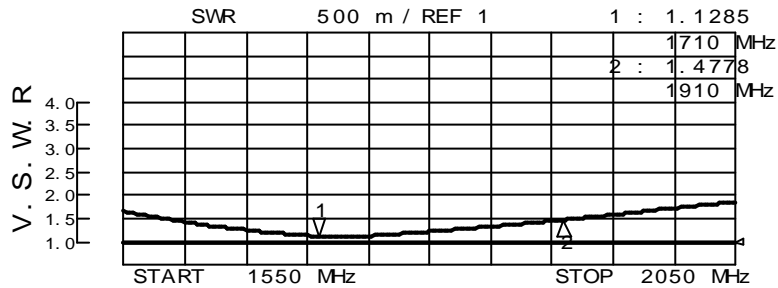
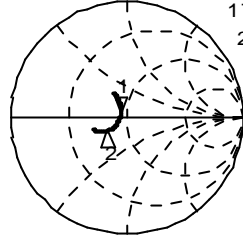
*1 Measured by "Back to Back" per piece

All the technical data and information contained herein are subject to change without notice.

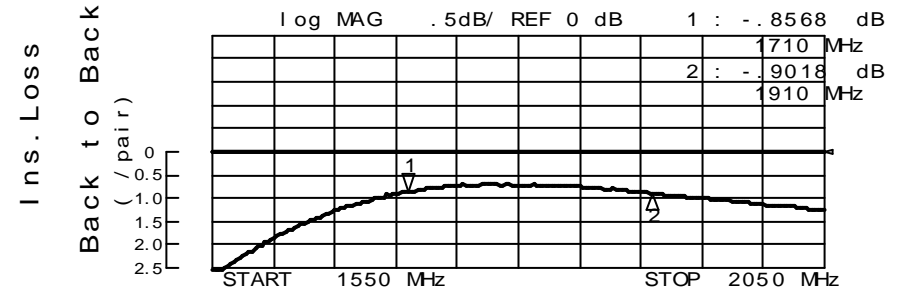
LT-FSLT-S180G-0410A

FSLT-S180G Sample DATA

1 UFS 1 : 45.111ohm 3.0371ohm 282.67 pF
1710 MHz
2 : 35.363ohm
-7.8574ohm
1910 MHz

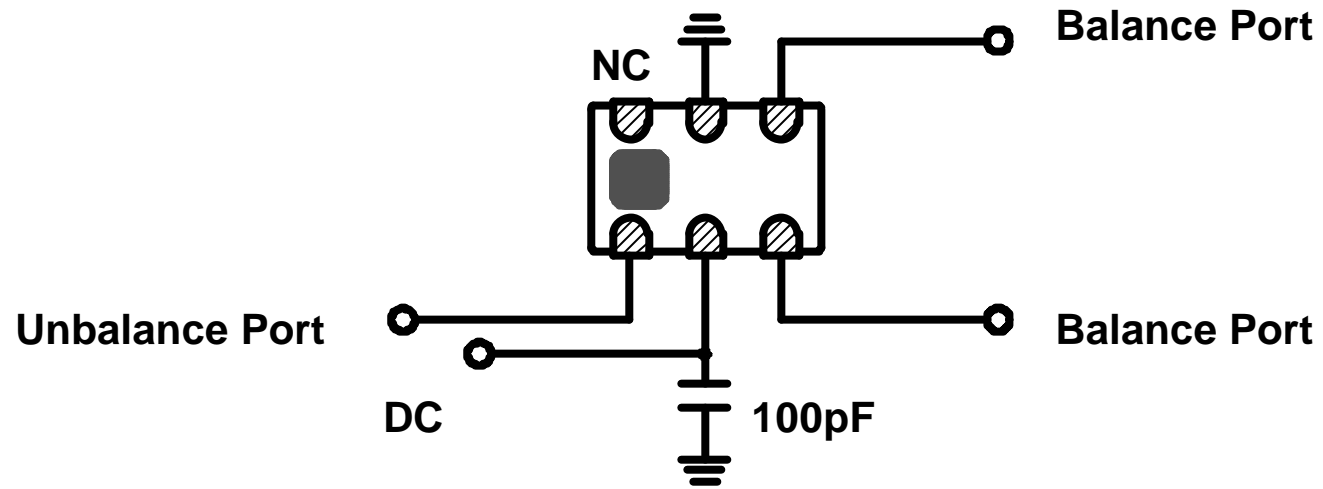


Insertion Loss(Out 1, Out 2) :
measurement-splitting loss-resistor loss

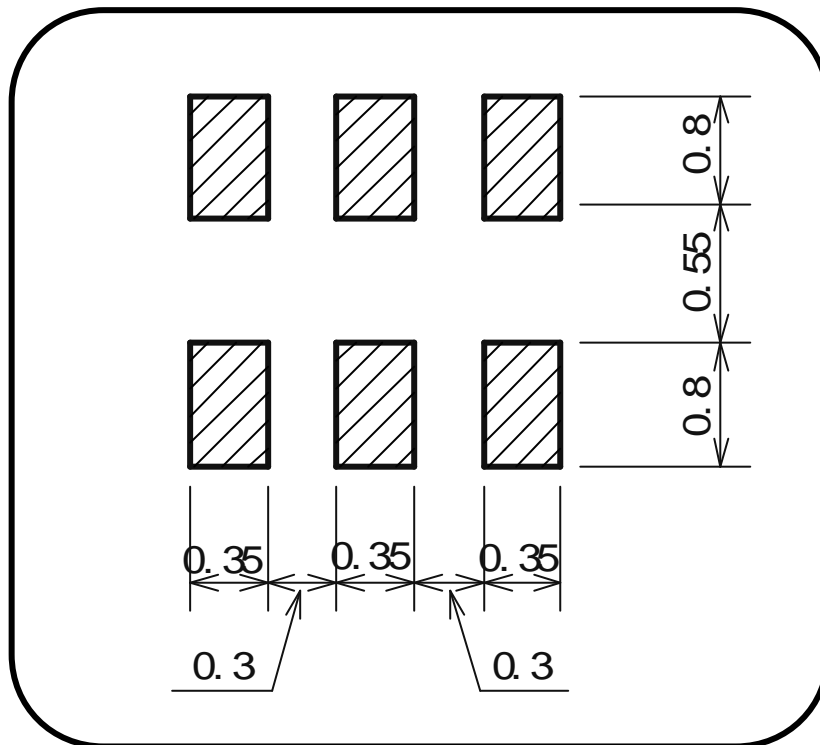


All the technical data and information contained herein are subject to change without notice.

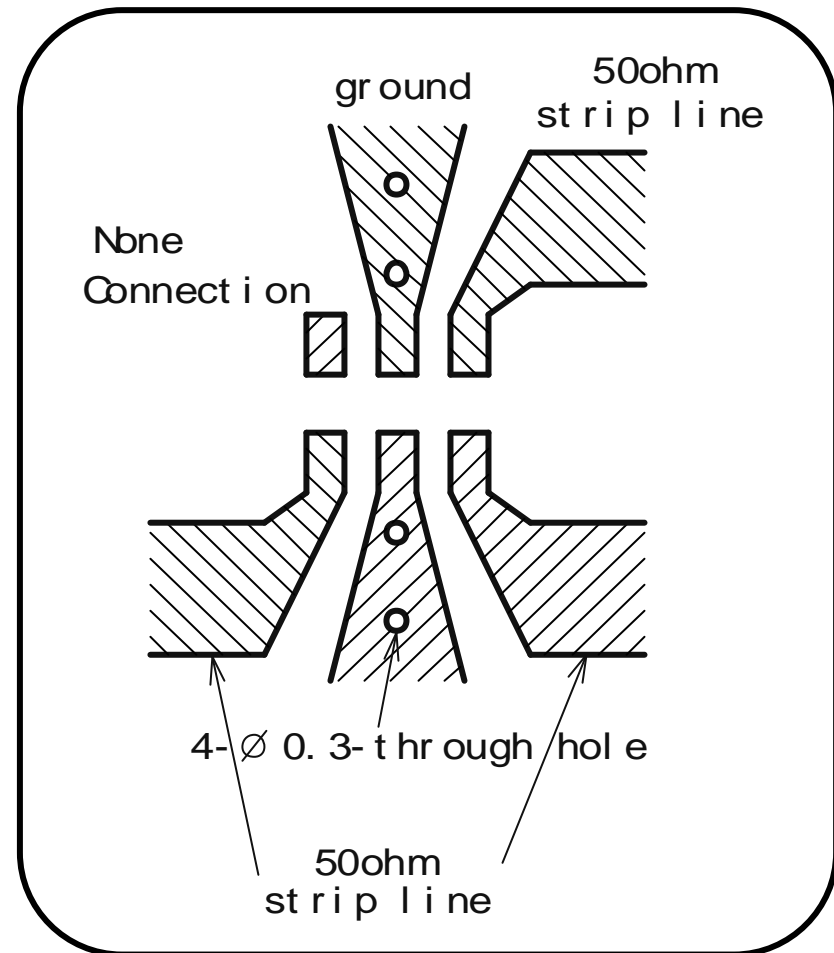
If you apply DC voltage to Balance Port,
please add capacitor as below circuit A.



Foot Pattern



Foot Pattern Example



All the technical data and information contained herein are subject to change without notice.

LT-FSLT-S180G-0410A