

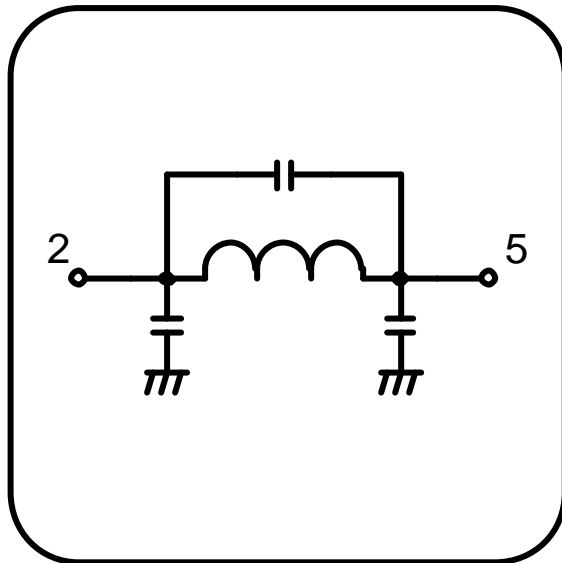
2012 Size
Chip Low Pass Filter
FSLL-S240E

All the technical data and information contained herein are subject to change without notice.

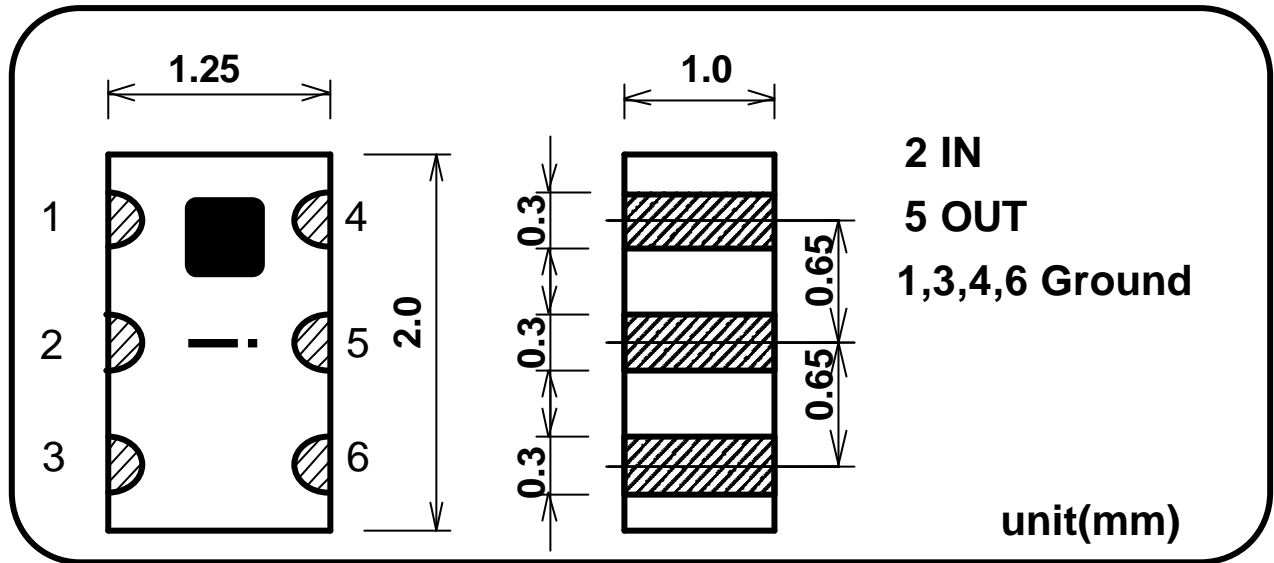


LL-FSLL-S240E-0406A

Equivalent Circuits



Shape & Size



Specifications

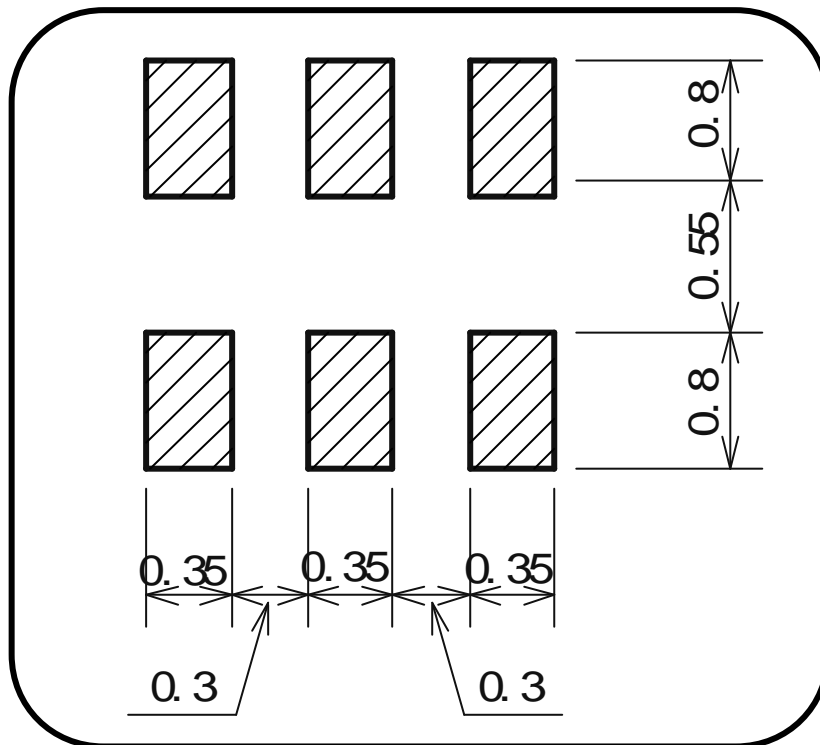
Frequency Range(GHz)	Insertion Loss	Return Loss	Attenuation		Handling Power	Temperature Range
			2 x fo	3 x fo		
2.4-2.5	0.5dB Max. (at 25 deg.C) 0.55dB Max. (at -35 to +85 deg.C)	12dB Min.	27dB Min.	25dB Min.	1W Max. (CW)	-35 to +85 deg.C

All the technical data and information contained herein are subject to change without notice.

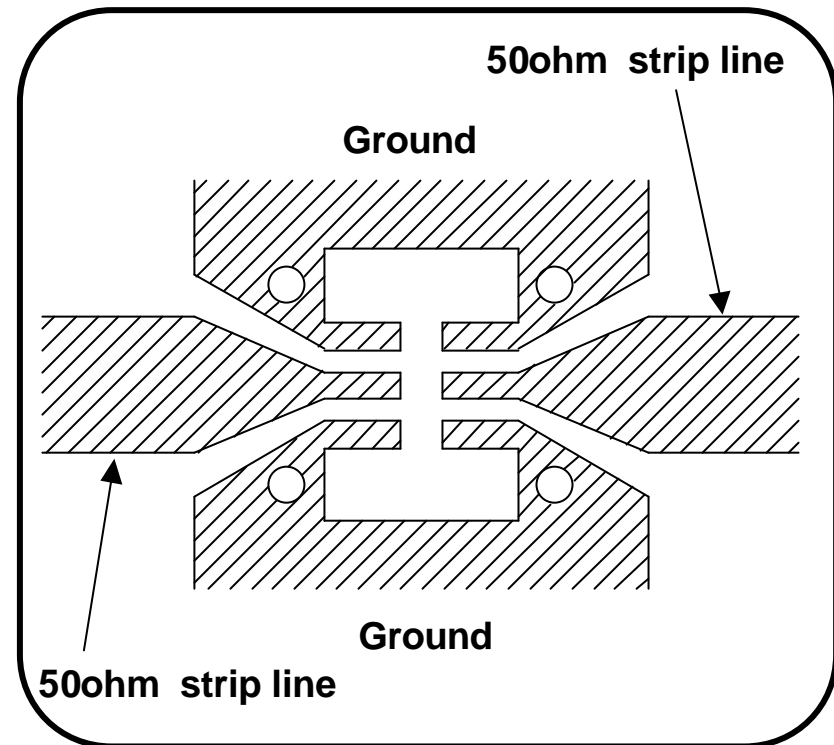
HITACHI METALS

LL-FSLL-S240E-0406A

Foot Pattern



Foot Pattern Example



All the technical data and information contained herein are subject to change without notice.

HITACHI METALS

LL-FSLL-S240E-0406A