

# FSDM0565RB

## Green Mode Fairchild Power Switch (FPS™)

### Features

- Internal Avalanche Rugged Sense FET
- Advanced Burst-Mode operation consumes under 1 W at 240VAC & 0.5W load
- Precision Fixed Operating Frequency (66kHz)
- Internal Start-up Circuit
- Improved Pulse by Pulse Current Limiting
- Over Voltage Protection (OVP)
- Over Load Protection (OLP)
- Internal Thermal Shutdown Function (TSD)
- Auto-Restart Mode
- Under Voltage Lock Out (UVLO) with hysteresis
- Low Operating Current (2.5mA)
- Built-in Soft Start

### Application

- SMPS for LCD monitor and STB
- Adaptor

### Description

The FSDM0565RB is an integrated Pulse Width Modulator (PWM) and Sense FET specifically designed for high performance offline Switch Mode Power Supplies (SMPS) with minimal external components. This device is an integrated high voltage power switching regulator which combine an avalanche rugged Sense FET with a current mode PWM control block. The PWM controller includes integrated fixed frequency oscillator, under voltage lockout, leading edge blanking (LEB), optimized gate driver, internal soft start, temperature compensated precise current sources for a loop compensation and self protection circuitry. Compared with discrete MOSFET and PWM controller solution, it can reduce total cost, component count, size and weight simultaneously increasing efficiency, productivity, and system reliability. This device is a basic platform well suited for cost effective designs of flyback converters.

| OUTPUT POWER TABLE |                            |                           |                         |                           |
|--------------------|----------------------------|---------------------------|-------------------------|---------------------------|
| PRODUCT            | 230VAC ±15% <sup>(3)</sup> |                           | 85-265VAC               |                           |
|                    | Adapt-er <sup>(1)</sup>    | Open Frame <sup>(2)</sup> | Adapt-er <sup>(1)</sup> | Open Frame <sup>(2)</sup> |
| FSDM0565RB         | 60W                        | 70W                       | 50W                     | 60W                       |
| FSDM0565RBI        | 60W                        | 70W                       | 50W                     | 60W                       |
| FSDM07652RB        | 70W                        | 80W                       | 60W                     | 70W                       |

Table 1. Maximum Output Power

#### Notes:

1. Typical continuous power in a non-ventilated enclosed adaptor measured at 50°C ambient.
2. Maximum practical continuous power in an open frame design at 50°C ambient.
3. 230 VAC or 100/115 VAC with doubler.

### Typical Circuit

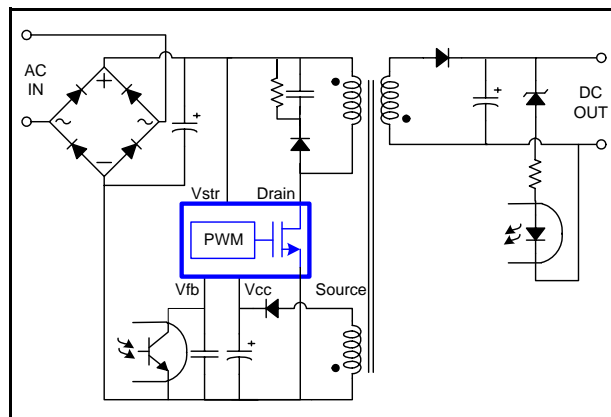


Figure 1. Typical Flyback Application

## Internal Block Diagram

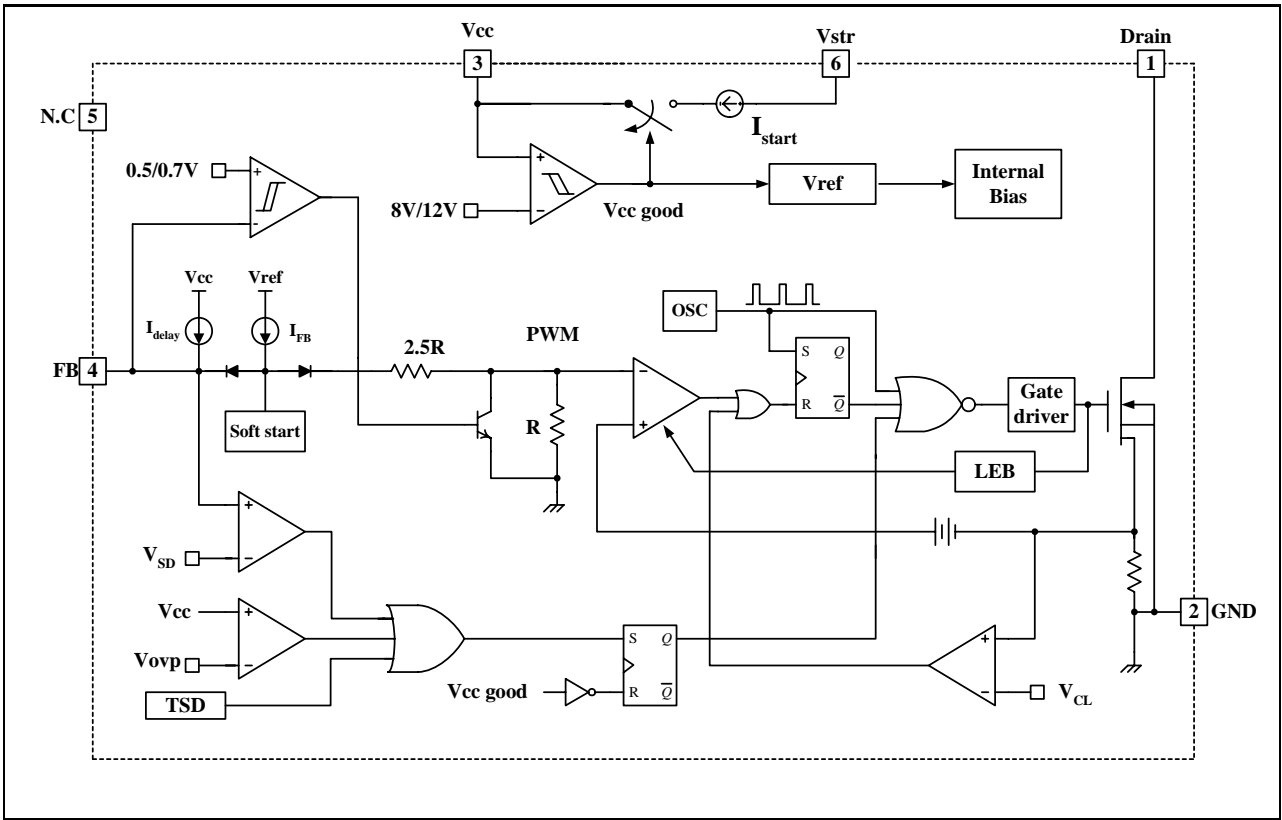


Figure 2. Functional Block Diagram of FSDM0565RB

## Pin Definitions

| Pin Number | Pin Name | Pin Function Description  |
|------------|----------|---|
| 1          | Drain    | This pin is the high voltage power Sense FET drain. It is designed to drive the transformer directly.   |
| 2          | GND      | This pin is the control ground and the Sense FET source.  |
| 3          | Vcc      | This pin is the positive supply voltage input. During start up, the power is supplied by an internal high voltage current source that is connected to the Vstr pin. When Vcc reaches 12V, the internal high voltage current source is disabled and the power is supplied from the auxiliary transformer winding.                              |
| 4          | Vfb      | This pin is internally connected to the inverting input of the PWM comparator. The collector of an opto-coupler is typically tied to this pin. For stable operation, a capacitor should be placed between this pin and GND. If the voltage of this pin reaches 6.0V, the over load protection is activated resulting in shutdown of the FPS™. |
| 5          | N.C      | -   |
| 6          | Vstr     | This pin is connected directly to the high voltage DC link. At startup, the internal high voltage current source supplies internal bias and charges the external capacitor that is connected to the Vcc pin. Once Vcc reaches 12V, the internal current source is disabled.   |

## Pin Configuration

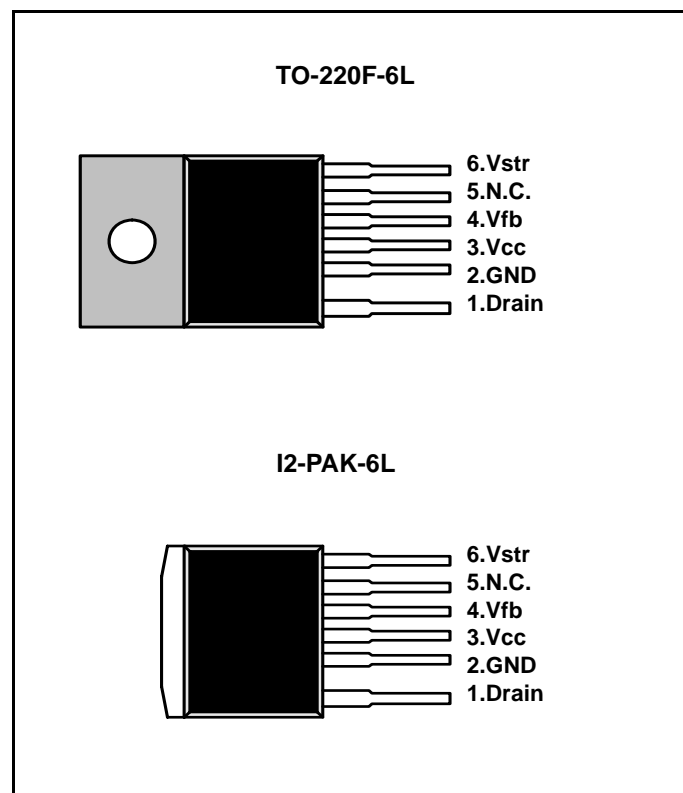


Figure 3. Pin Configuration (Top View)

## Absolute Maximum Ratings

(Ta=25°C, unless otherwise specified)

| Parameter  | Symbol                    | Value   | Unit |
|--|---------------------------|---|------|
| Drain-source voltage   | V <sub>DSS</sub>          | 650   | V    |
| V <sub>str</sub> Max Voltage   | V <sub>STR</sub>          | 650   | V    |
| Pulsed Drain current (T <sub>c</sub> =25°C) <sup>(1)</sup>                                 | I <sub>DM</sub>           | 11  | ADC  |
| Continuous Drain Current(T <sub>c</sub> =25°C)   | I <sub>D</sub>            | 2.8   | A    |
| Continuous Drain Current(T <sub>c</sub> =100°C)  |                           | 1.7   | A    |
| Single pulsed avalanche energy <sup>(2)</sup>  | E <sub>AS</sub>           | 190   | mJ   |
| Single pulsed avalanche current <sup>(3)</sup>   | I <sub>AS</sub>           | -   | A    |
| Supply voltage   | V <sub>CC</sub>           | 20  | V    |
| Input voltage range  | V <sub>FB</sub>           | -0.3 to V <sub>CC</sub>                               | V    |
| Total power dissipation(T <sub>c</sub> =25°C)  | P <sub>D</sub> (Watt H/S) | 45<br>(TO-220-6L)                                     | W    |
|  |                           | 75<br>(I2-PAK-6L)                                     |      |
| Operating junction temperature   | T <sub>j</sub>            | Internally limited                                    | °C   |
| Operating ambient temperature  | T <sub>A</sub>            | -25 to +85  | °C   |
| Storage temperature range  | T <sub>STG</sub>          | -55 to +150   | °C   |
| ESD Capability, HBM Model (All pins excepts for V <sub>str</sub> and V <sub>fb</sub> )     | -                         | 2.0<br>(GND-V <sub>str</sub> /V <sub>fb</sub> =1.5kV) | kV   |
| ESD Capability, Machine Model (All pins excepts for V <sub>str</sub> and V <sub>fb</sub> ) | -                         | 300<br>(GND-V <sub>str</sub> /V <sub>fb</sub> =225V)  | V    |

### Notes:

1. Repetitive rating: Pulse width limited by maximum junction temperature
2. L=14mH, starting T<sub>j</sub>=25°C
3. L=13uH, starting T<sub>j</sub>=25°C

## Thermal Impedance

| Parameter                   | Symbol              | Package    | Value | Unit |
|-----------------------------|---------------------|------------|-------|------|
| Junction-to-Ambient Thermal | $\theta_{JA}^{(1)}$ | TO-220F-6L | 49.90 | °C/W |
|                             |                     | I2-PAK-6L  | 30    |      |
| Junction-to-Case Thermal    | $\theta_{JC}^{(2)}$ | TO-220F-6L | 2.78  | °C/W |
|                             |                     | I2-PAK-6L  | 1.67  |      |

### Notes:

1. Free standing with no heat-sink under natural convection.
2. Infinite cooling condition - Refer to the SEMI G30-88.

## Electrical Characteristics

(Ta = 25°C unless otherwise specified)

| Parameter  | Symbol            | Condition   | Min. | Typ. | Max. | Unit |
|--|-------------------|---|------|------|------|------|
| <b>Sense FET SECTION</b>                         |                   |   |      |      |      |      |
| Drain source breakdown voltage                   | BVDSS             | VGS = 0V, ID = 250μA  | 650  | -    | -    | V    |
| Zero gate voltage drain current                  | IDSS              | VDS = 650V, VGS = 0V  | -    | -    | 500  | μA   |
|  |                   | VDS = 520V<br>VGS = 0V, TC = 125°C  | -    | -    | 500  | μA   |
| Static drain source on resistance <sup>(1)</sup> | RDS(ON)           | VGS = 10V, ID = 2.5A  | -    | 1.76 | 2.2  | Ω    |
| Output capacitance                               | COSS              | VGS = 0V, VDS = 25V,<br>f = 1MHz  | -    | 78   | -    | pF   |
| Turn on delay time                               | TD(ON)            | VDD = 325V, ID = 5A<br>(MOSFET switching<br>time is essentially<br>independent of<br>operating temperature) | -    | 22   | -    | ns   |
| Rise time  | TR                |   | -    | 52   | -    |      |
| Turn off delay time                              | TD(OFF)           |   | -    | 95   | -    |      |
| Fall time  | TF                |   | -    | 50   | -    |      |
| <b>CONTROL SECTION</b>                           |                   |   |      |      |      |      |
| Initial frequency                                | FOSC              | VFB = 3V  | 60   | 66   | 72   | kHz  |
| Voltage stability                                | FSTABLE           | 13V ≤ VCC ≤ 18V   | 0    | 1    | 3    | %    |
| Temperature stability <sup>(2)</sup>             | ΔFOSC             | -25°C ≤ Ta ≤ 85°C   | 0    | ±5   | ±10  | %    |
| Maximum duty cycle                               | DMAX              | -   | 77   | 82   | 87   | %    |
| Minimum duty cycle                               | DMIN              | -   | -    | -    | 0    | %    |
| Start threshold voltage                          | VSTART            | VFB=GND   | 11   | 12   | 13   | V    |
| Stop threshold voltage                           | VSTOP             | VFB=GND   | 7    | 8    | 9    | V    |
| Feedback source current                          | IFB               | VFB=GND   | 0.7  | 0.9  | 1.1  | mA   |
| Soft-start time                                  | TS                | Vfb=3   | -    | 10   | 15   | ms   |
| Leading Edge Blanking time                       | TLEB              | -   | -    | 250  | -    | ns   |
| <b>BURST MODE SECTION</b>                        |                   |   |      |      |      |      |
| Burst Mode Voltages <sup>(2)</sup>               | VBURH             | VCC=14V   | -    | 0.7  | -    | V    |
|  | VBURL             | VCC=14V   | -    | 0.5  | -    | V    |
| <b>PROTECTION SECTION</b>                        |                   |   |      |      |      |      |
| Peak current limit <sup>(4)</sup>                | I <sub>OVER</sub> | VFB=5V, VCC=14V   | 2.0  | 2.25 | 2.5  | A    |
| Over voltage protection                          | VOVP              | -   | 18   | 19   | 20   | V    |
| Thermal shutdown temperature <sup>(2)</sup>      | TSD               |   | 130  | 145  | 160  | °C   |
| Shutdown feedback voltage                        | VSD               | VFB ≥ 5.5V  | 5.5  | 6.0  | 6.5  | V    |
| Shutdown delay current                           | IDELAY            | VFB=5V  | 2.8  | 3.5  | 4.2  | μA   |

| TOTAL DEVICE SECTION                    |          |                  |   |     |   |    |
|---|----------|------------------|---|-----|---|----|
| Operating supply current <sup>(5)</sup> | IOP      | VFB=GND, VCC=14V | - | 2.5 | 5 | mA |
|   | IOP(MIN) | VFB=GND, VCC=10V |   |     |   |    |
|   | IOP(MAX) | VFB=GND, VCC=18V |   |     |   |    |

**Notes:**

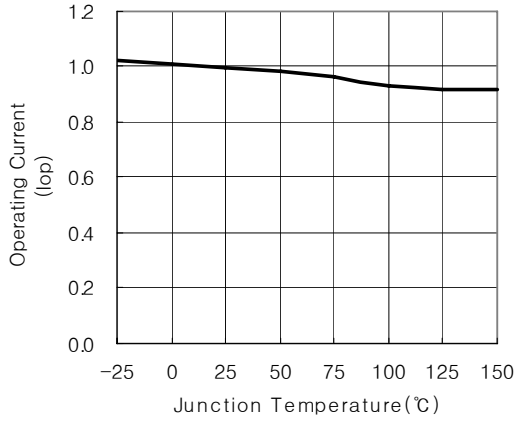
1. Pulse test : Pulse width  $\leq 300\mu\text{S}$ , duty  $\leq 2\%$
2. These parameters, although guaranteed at the design, are not tested in mass production.
3. These parameters, although guaranteed, are tested in EDS(wafer test) process.
4. These parameters indicate the inductor current.
5. This parameter is the current flowing into the control IC.

## Comparison Between FS6M07652RTC and FSDM0565RB

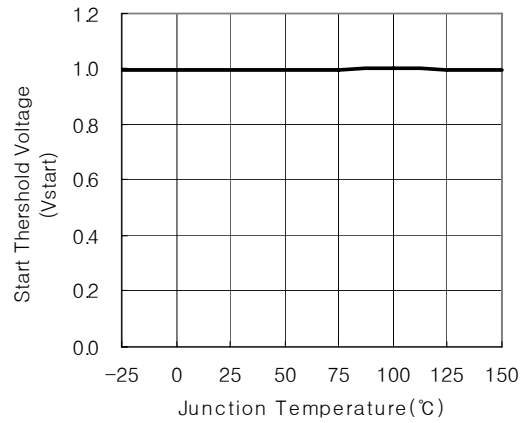
| Function             | FS6M07652RTC   | FSDM0565RB  | FSDM0565RB Advantages   |
|----------------------|--|---|---|
| Soft-Start           | Adjustable soft-start time using an external capacitor   | Internal soft-start with typically 10ms (fixed)   | <ul style="list-style-type: none"> <li>• Gradually increasing current limit during soft-start further reduces peak current and voltage component stresses</li> <li>• Eliminates external components used for soft-start in most applications</li> <li>• Reduces or eliminates output overshoot</li> </ul> |
| Burst Mode Operation | <ul style="list-style-type: none"> <li>• Built into controller</li> <li>• Output voltage drops to around half</li> </ul> | <ul style="list-style-type: none"> <li>• Built into controller</li> <li>• Output voltage fixed</li> </ul> | <ul style="list-style-type: none"> <li>• Improve light load efficiency</li> <li>• Reduces no-load consumption</li> </ul>  |

## Typical Performance Characteristics

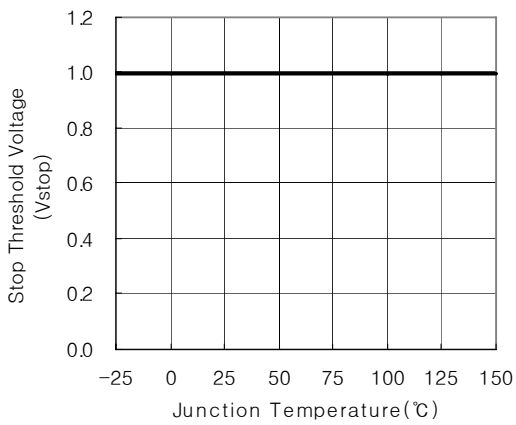
(These Characteristic Graphs are Normalized at Ta= 25°C)



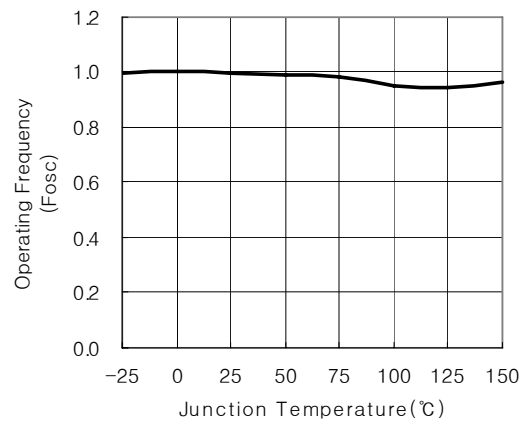
**Operating Current vs. Temp**



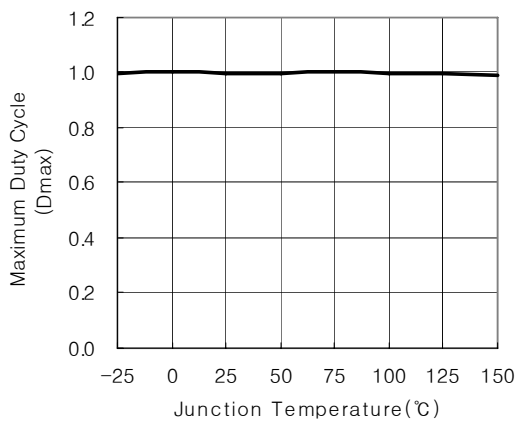
**Start Threshold Voltage vs. Temp**



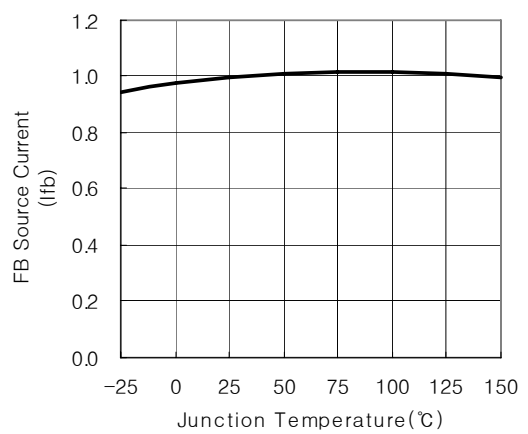
**Stop Threshold Voltage vs. Temp**



**Operating Frequency vs. Temp**



**Maximum Duty vs. Temp**

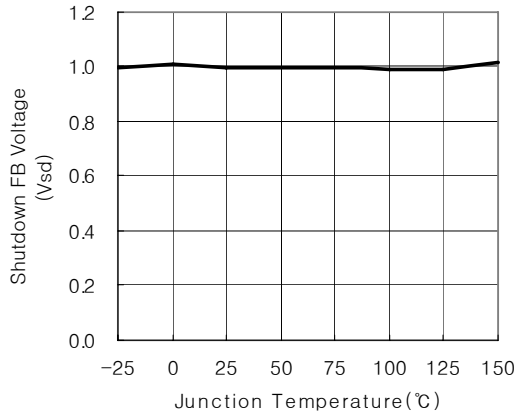


**Feedback Source Current vs. Temp**

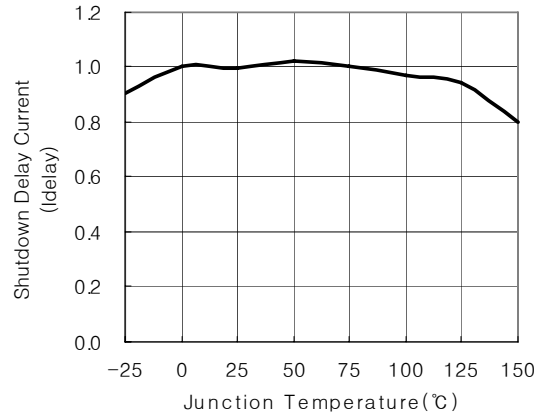


## Typical Performance Characteristics (Continued)

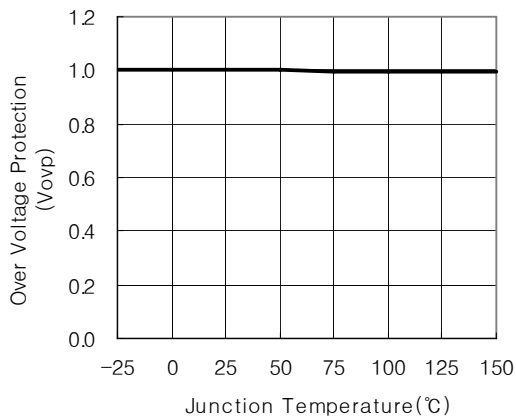
(These Characteristic Graphs are Normalized at Ta= 25°C)



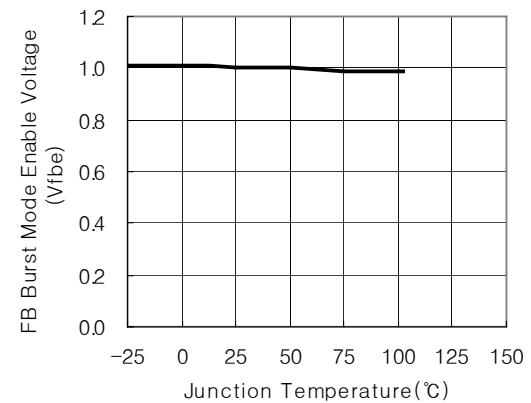
ShutDown Feedback Voltage vs. Temp



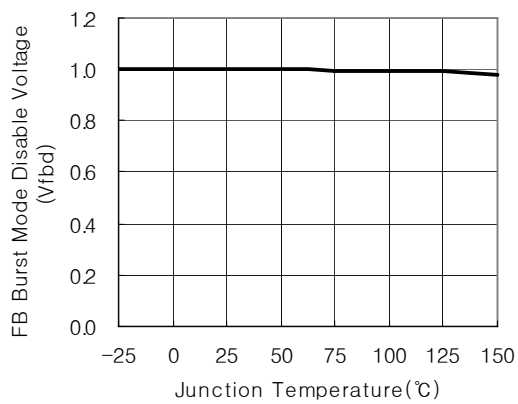
ShutDown Delay Current vs. Temp



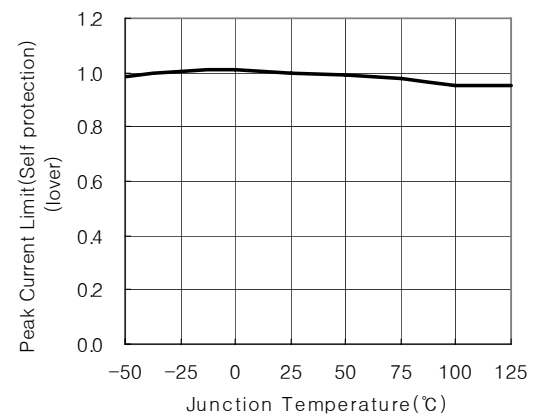
Over Voltage Protection vs. Temp



Burst Mode Enable Voltage vs. Temp



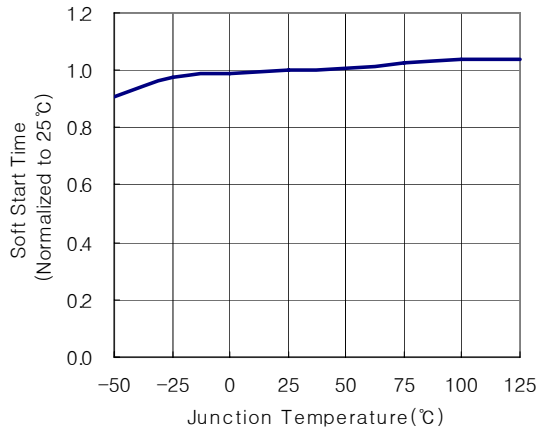
Burst Mode Disable Voltage vs. Temp



Current Limit vs. Temp

## Typical Performance Characteristics (Continued)

(These Characteristic Graphs are Normalized at Ta= 25°C)



**Soft Start Time vs. Temp**



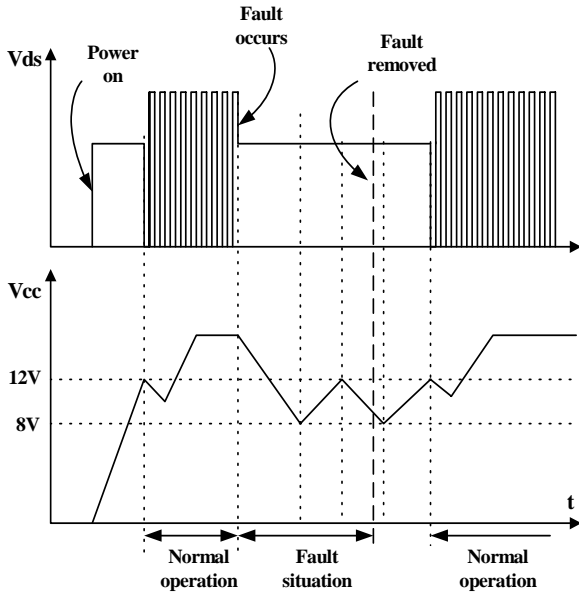


Figure 6. Auto restart operation

**3.1 Over Load Protection (OLP) :** Overload is defined as the load current exceeding a pre-set level due to an unexpected event. In this situation, the protection circuit should be activated in order to protect the SMPS. However, even when the SMPS is in the normal operation, the over load protection circuit can be activated during the load transition. In order to avoid this undesired operation, the over load protection circuit is designed to be activated after a specified time to determine whether it is a transient situation or an overload situation. Because of the pulse-by-pulse current limit capability, the maximum peak current through the Sense FET is limited, and therefore the maximum input power is restricted with a given input voltage. If the output consumes beyond this maximum power, the output voltage ( $V_o$ ) decreases below the set voltage. This reduces the current through the opto-coupler LED, which also reduces the opto-coupler transistor current, thus increasing the feedback voltage ( $V_{fb}$ ). If  $V_{fb}$  exceeds 2.5V, D1 is blocked and the 3.5uA current source starts to charge  $C_B$  slowly up to  $V_{cc}$ . In this condition,  $V_{fb}$  continues increasing until it reaches 6V, when the switching operation is terminated as shown in Figure 7. The delay time for shutdown is the time required to charge  $C_B$  from 2.5V to 6.0V with 3.5uA. In general, a 10 ~ 50 ms delay time is typical for most applications.

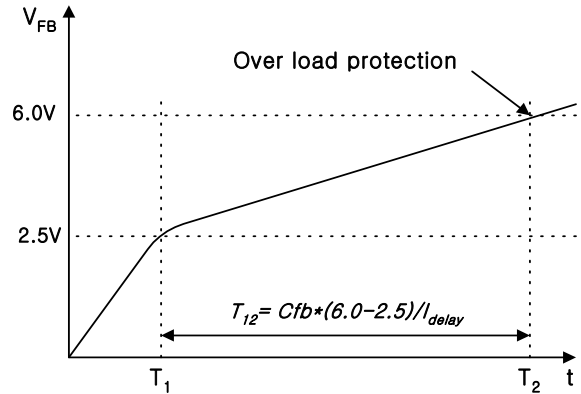


Figure 7. Over load protection

**3.2 Over voltage Protection (OVP) :** If the secondary side feedback circuit were to malfunction or a solder defect caused an open in the feedback path, the current through the opto-coupler transistor becomes almost zero. Then,  $V_{fb}$  climbs up in a similar manner to the over load situation, forcing the preset maximum current to be supplied to the SMPS until the over load protection is activated. Because more energy than required is provided to the output, the output voltage may exceed the rated voltage before the over load protection is activated, resulting in the breakdown of the devices in the secondary side. In order to prevent this situation, an over voltage protection (OVP) circuit is employed. In general,  $V_{cc}$  is proportional to the output voltage and the FSDM0565RB uses  $V_{cc}$  instead of directly monitoring the output voltage. If  $V_{cc}$  exceeds 19V, an OVP circuit is activated resulting in the termination of the switching operation. In order to avoid undesired activation of OVP during normal operation,  $V_{cc}$  should be designed to be below 19V.

**3.3 Thermal Shutdown (TSD) :** The Sense FET and the control IC are built in one package. This makes it easy for the control IC to detect the heat generation from the Sense FET. When the temperature exceeds approximately 150°C, the thermal shutdown is activated.

**4. Soft Start :** The FSDM0565RB has an internal soft start circuit that increases PWM comparator inverting input voltage together with the Sense FET current slowly after it starts up. The typical soft start time is 10msec, The pulse width to the power switching device is progressively increased to establish the correct working conditions for transformers, inductors, and capacitors. The voltage on the output capacitors is progressively increased with the intention of smoothly establishing the required output voltage. It also helps to prevent transformer saturation and reduce the stress on the secondary diode during startup.

**5. Burst operation :** In order to minimize power dissipation in standby mode, the FSDM0565RB enters burst mode operation. As the load decreases, the feedback voltage decreases. As shown in Figure 8, the device automatically enters burst mode when the feedback voltage drops below  $V_{BURL}(500mV)$ . At this point switching stops and the output voltages start to drop at a rate dependent on standby current load. This causes the feedback voltage to rise. Once it passes  $V_{BURH}(700mV)$  switching resumes. The feedback voltage then falls and the process repeats. Burst mode operation alternately enables and disables switching of the power Sense FET thereby reducing switching loss in Standby mode.

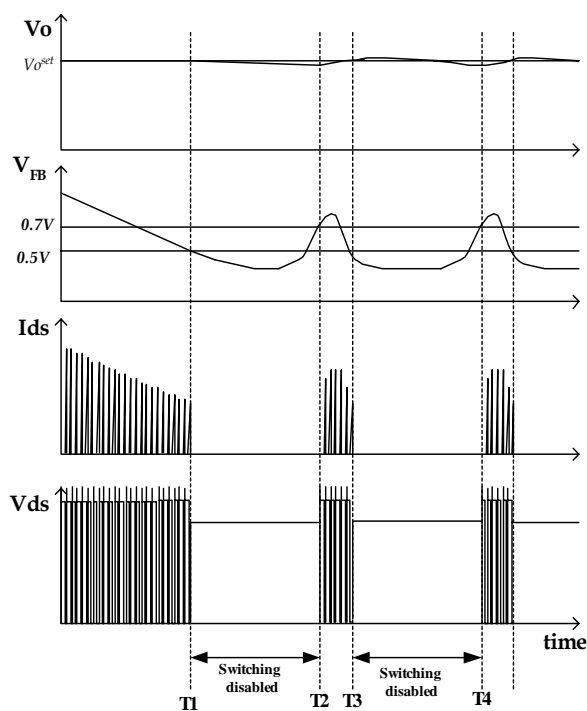


Figure 8. Waveforms of burst operation

## Typical application circuit

| Application | Output power | Input voltage                  | Output voltage (Max current) |
|-------------|--------------|--------------------------------|------------------------------|
| LCD Monitor | 40W          | Universal input<br>(85-265Vac) | 5V (2.0A)<br>12V (2.5A)      |

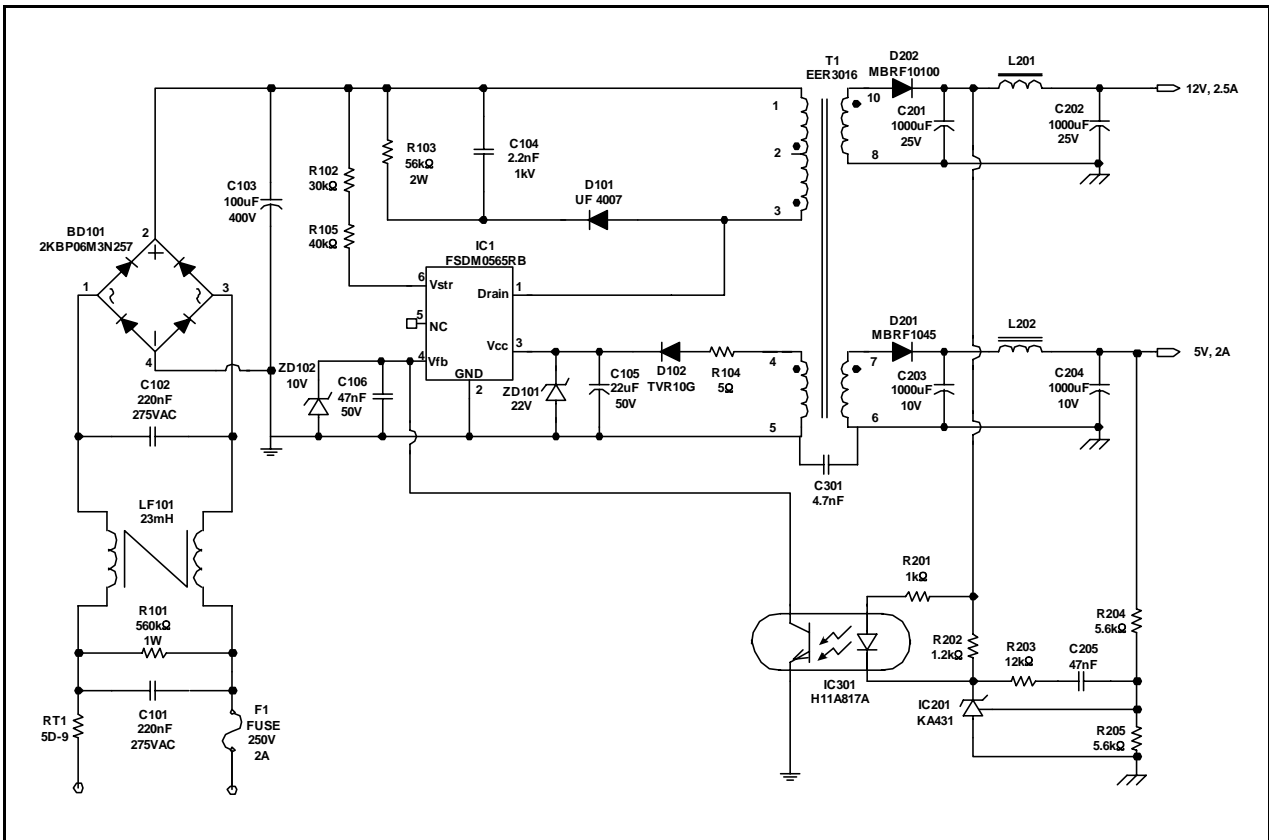
### Features

- High efficiency (>81% at 85Vac input)
- Low zero load power consumption (<300mW at 240Vac input)
- Low standby mode power consumption (<800mW at 240Vac input and 0.3W load)
- Low component count
- Enhanced system reliability through various protection functions
- Internal soft-start (10ms)

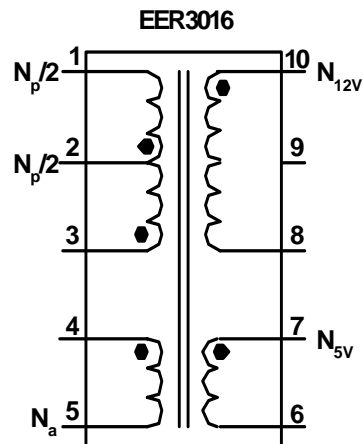
### Key Design Notes

- Resistors R102 and R105 are employed to prevent start-up at low input voltage. After startup, there is no power loss in these resistors since the startup pin is internally disconnected after startup.
- The delay time for over load protection is designed to be about 50ms with C106 of 47nF. If a faster triggering of OLP is required, C106 can be reduced to 10nF.
- Zener diode ZD102 is used for a safety test such as UL. When the drain pin and feedback pin are shorted, the zener diode fails and remains short, which causes the fuse (F1) blown and prevents explosion of the opto-coupler (IC301). This zener diode also increases the immunity against line surge.

### 1. Schematic



## 2. Transformer Schematic Diagram



## 3. Winding Specification

| No  | Pin (s→f) | Wire                 | Turns | Winding Method   |
|---|-----------|----------------------|-------|------------------|
| Na  | 4 → 5     | 0.2 <sup>φ</sup> × 1 | 8     | Center Winding   |
| Insulation: Polyester Tape t = 0.050mm, 2Layers       |           |                      |       |                  |
| Np/2  | 2 → 1     | 0.4 <sup>φ</sup> × 1 | 18    | Solenoid Winding |
| Insulation: Polyester Tape t = 0.050mm, 2Layers       |           |                      |       |                  |
| N12V  | 10 → 8    | 0.3 <sup>φ</sup> × 3 | 7     | Center Winding   |
| Insulation: Polyester Tape t = 0.050mm, 2Layers       |           |                      |       |                  |
| N5V   | 7 → 6     | 0.3 <sup>φ</sup> × 3 | 3     | Center Winding   |
| Insulation: Polyester Tape t = 0.050mm, 2Layers       |           |                      |       |                  |
| Np/2  | 3 → 2     | 0.4 <sup>φ</sup> × 1 | 18    | Solenoid Winding |
| Outer Insulation: Polyester Tape t = 0.050mm, 2Layers |           |                      |       |                  |

## 4. Electrical Characteristics

|                    | Pin   | Specification | Remarks                   |
|--------------------|-------|---------------|---------------------------|
| Inductance         | 1 - 3 | 520uH ± 10%   | 100kHz, 1V                |
| Leakage Inductance | 1 - 3 | 10uH Max      | 2 <sup>nd</sup> all short |

## 5. Core & Bobbin

Core : EER 3016

Bobbin : EER3016

Ae(mm<sup>2</sup>) : 96

## 6.Demo Circuit Part List

| Part             | Value        | Note                   | Part                | Value         | Note                |
|------------------|--------------|------------------------|---------------------|---------------|---------------------|
| <b>Fuse</b>      |              |                        | C301                | 4.7nF         | Polyester Film Cap. |
| F101             | 2A/250V      |                        |                     |               |                     |
| <b>NTC</b>       |              |                        | <b>Inductor</b>     |               |                     |
| RT101            | 5D-9         |                        | L201                | 5uH           | Wire 1.2mm          |
| <b>Resistor</b>  |              |                        | L202                | 5uH           | Wire 1.2mm          |
| R101             | 560K         | 1W                     |                     |               |                     |
| R102             | 30K          | 1/4W                   |                     |               |                     |
| R103             | 56K          | 2W                     |                     |               |                     |
| R104             | 5            | 1/4W                   | <b>Diode</b>        |               |                     |
| R105             | 40K          | 1/4W                   | D101                | UF4007        |                     |
| R201             | 1K           | 1/4W                   | D102                | TVR10G        |                     |
| R202             | 1.2K         | 1/4W                   | D201                | MBRF1045      |                     |
| R203             | 12K          | 1/4W                   | D202                | MBRF10100     |                     |
| R204             | 5.6K         | 1/4W                   | ZD101               | Zener Diode   | 22V                 |
| R205             | 5.6K         | 1/4W                   | ZD102               | Zener Diode   | 10V                 |
|                  |              |                        | <b>Bridge Diode</b> |               |                     |
|                  |              |                        | BD101               | 2KBP06M 3N257 | Bridge Diode        |
| <b>Capacitor</b> |              |                        | <b>Line Filter</b>  |               |                     |
| C101             | 220nF/275VAC | Box Capacitor          |                     |               |                     |
| C102             | 220nF/275VAC | Box Capacitor          | LF101               | 23mH          | Wire 0.4mm          |
| C103             | 100uF/400V   | Electrolytic Capacitor | <b>IC</b>           |               |                     |
| C104             | 2.2nF/1kV    | Ceramic Capacitor      | IC101               | FSDM0565RB    | FPS™(5A,650V)       |
| C105             | 22uF/50V     | Electrolytic Capacitor | IC201               | KA431(TL431)  | Voltage reference   |
| C106             | 47nF/50V     | Ceramic Capacitor      | IC301               | H11A817A      | Opto-coupler        |
| C201             | 1000uF/25V   | Electrolytic Capacitor |                     |               |                     |
| C202             | 1000uF/25V   | Electrolytic Capacitor |                     |               |                     |
| C203             | 1000uF/10V   | Electrolytic Capacitor |                     |               |                     |
| C204             | 1000uF/10V   | Electrolytic Capacitor |                     |               |                     |
| C205             | 47nF/50V     | Ceramic Capacitor      |                     |               |                     |



7. Layout

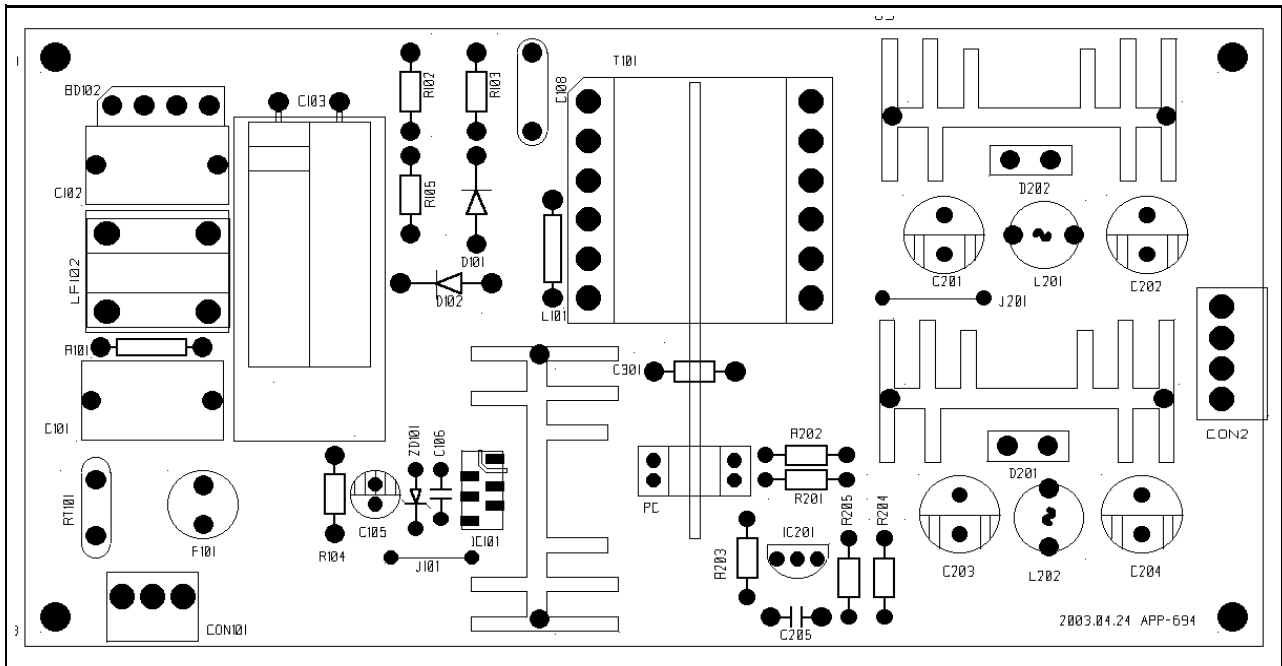


Figure 9. Layout Considerations for FSDM0565RB

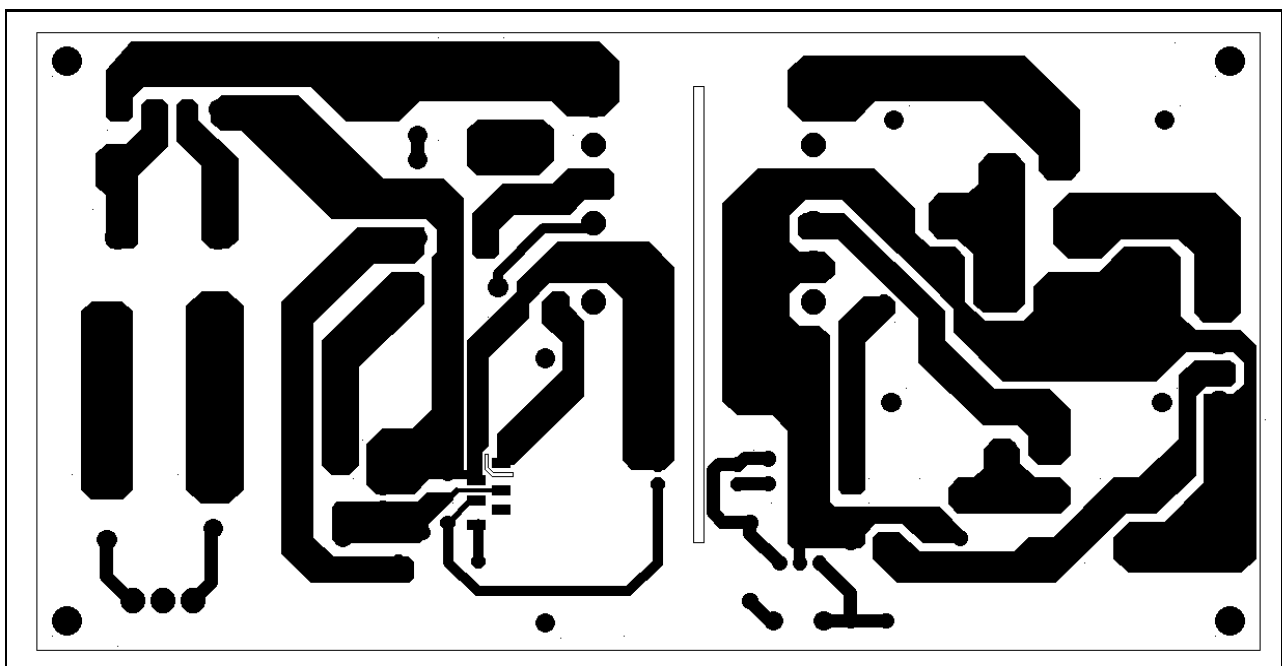
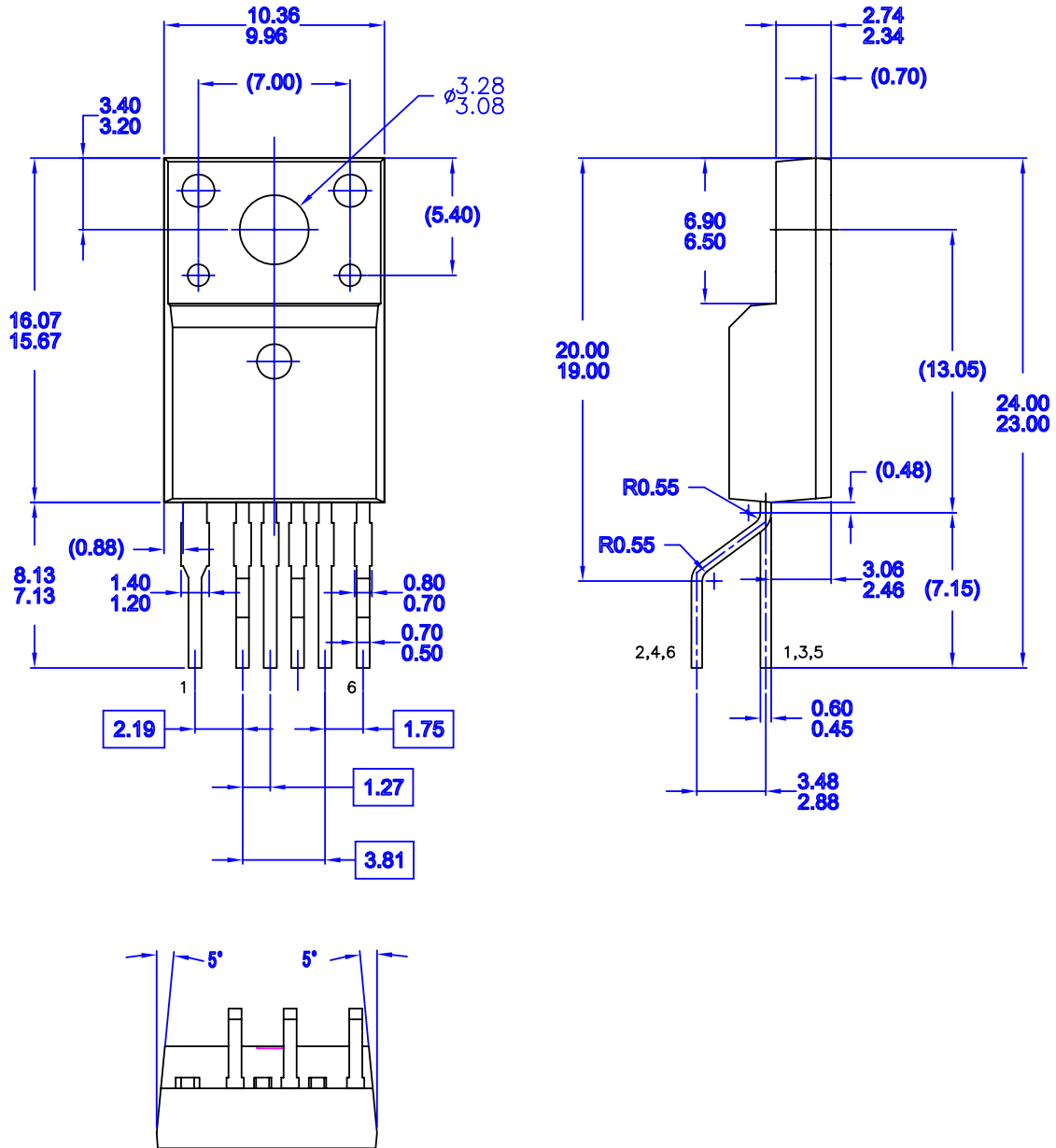


Figure 10. Layout Considerations for FSDM0565RB

Package Dimensions

TO-220F-6L(Forming)

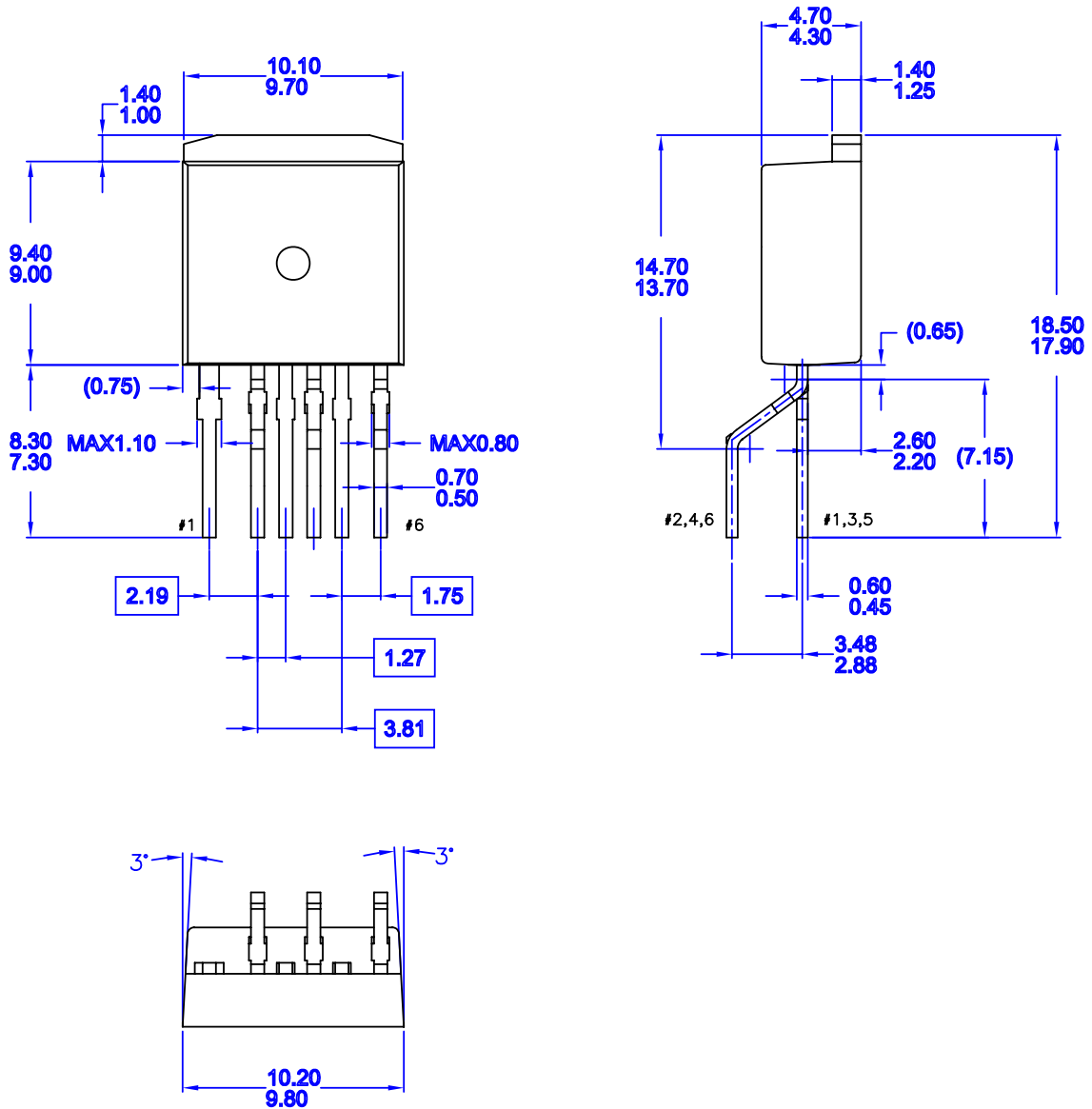


NOTES: UNLESS OTHERWISE SPECIFIED  
 A) THIS PACKAGE DOES NOT COMPLY TO ANY CURRENT PACKAGING STANDARD.  
 B) ALL DIMENSIONS ARE IN MILLIMETERS.  
 C) DIMENSIONS ARE EXCLUSIVE OF BURRS, MOLD FLASH, AND TIE BAR EXTRUSIONS.  
 D) LEADFORM OPTION A

MKT-TO220A06revB

Package Dimensions (Continued)

I2-PAK-6L(Forming)



NOTES: UNLESS OTHERWISE SPECIFIED  
 A) THIS PACKAGE DOES NOT COMPLY TO ANY CURRENT PACKAGING STANDARD.  
 B) ALL DIMENSIONS ARE IN MILLIMETERS.  
 C) DIMENSIONS ARE EXCLUSIVE OF BURRS, MOLD FLASH, AND TIE BAR EXTRUSIONS.

## Ordering Information

| Product Number  | Package             | Marking Code | BVdss | Rds(on)Max.  |
|-----------------|---------------------|--------------|-------|--------------|
| FSDM0565RBWDTU  | TO-220F-6L(Forming) | DM0565R      | 650V  | 2.2 $\Omega$ |
| FSDM0565RBIWDTU | I2-PAK-6L (Forming) | DM0565R      | 650V  | 2.2 $\Omega$ |

WDTU : Forming Type

### DISCLAIMER

FAIRCHILD SEMICONDUCTOR RESERVES THE RIGHT TO MAKE CHANGES WITHOUT FURTHER NOTICE TO ANY PRODUCTS HEREIN TO IMPROVE RELIABILITY, FUNCTION OR DESIGN. FAIRCHILD DOES NOT ASSUME ANY LIABILITY ARISING OUT OF THE APPLICATION OR USE OF ANY PRODUCT OR CIRCUIT DESCRIBED HEREIN; NEITHER DOES IT CONVEY ANY LICENSE UNDER ITS PATENT RIGHTS, NOR THE RIGHTS OF OTHERS.

### LIFE SUPPORT POLICY

FAIRCHILD'S PRODUCTS ARE NOT AUTHORIZED FOR USE AS CRITICAL COMPONENTS IN LIFE SUPPORT DEVICES OR SYSTEMS WITHOUT THE EXPRESS WRITTEN APPROVAL OF THE PRESIDENT OF FAIRCHILD SEMICONDUCTOR CORPORATION. As used herein:

1. Life support devices or systems are devices or systems which, (a) are intended for surgical implant into the body, or (b) support or sustain life, and (c) whose failure to perform when properly used in accordance with instructions for use provided in the labeling, can be reasonably expected to result in a significant injury of the user.
2. A critical component in any component of a life support device or system whose failure to perform can be reasonably expected to cause the failure of the life support device or system, or to affect its safety or effectiveness.