

10/100Base-TX Interface Module for PC Card Applications EPF8125S & EPF8125S-RC

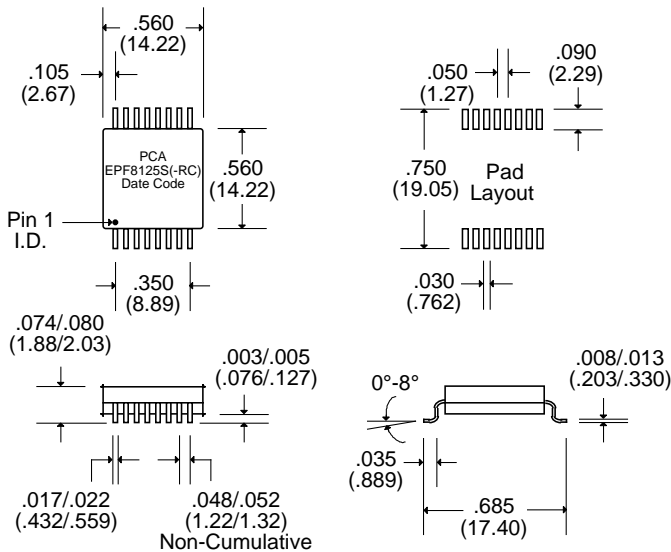
- Recommended for use with SSI 78Q2120 chips
- Low profile, fully integrated with two channels
- Add "-RC" after part number for RoHS Compliant
- Guaranteed to operate with 8 mA DC bias at 70°C
- Complies with or exceeds IEEE 802.3, 10/100Base-TX Standards

Electrical Parameters @ 25° C

OCL @ 70°C	Insertion Loss (dB Max.)			Return Loss (dB Min.)			Common Mode Rejection (dB Min.)			Crosstalk (dB Min.) Between Channels		
	100 KHz, 0.1 Vrms 8 mA DC Bias	0.1-80 MHz	100 MHz	150 MHz	30 MHz	60 MHz	100 MHz	1-30 MHz	100 MHz	500 MHz	5-10 MHz	10-100 MHz
	Cable Side	Xmit/Rcv	Xmit/Rcv	Xmit/Rcv	Xmit/Rcv	Xmit/Rcv	Xmit/Rcv	Xmit/Rcv	Xmit/Rcv	Xmit/Rcv		
	350 µH	-1/-1	-1/-1	-3.5/-3.5	-18/-18	-12/-12	-10/-10	-30/-30	-25/-25	-10/-10	-40	-40

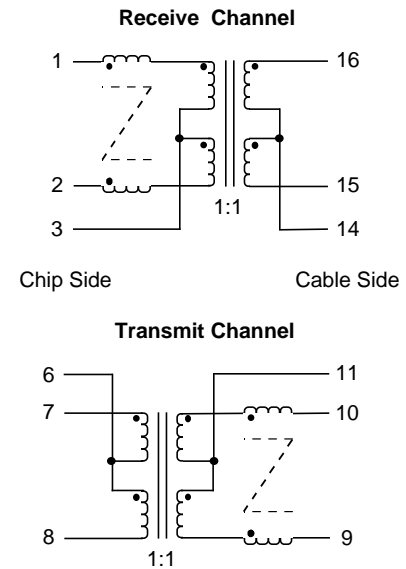
• Isolation : 1500 Vrms • Impedance : 100 • Rise Time : 3.0 nS Max. •

Package



Coplanarity within .003 Max.

Schematic



Notes :	EPF8125S	EPF8125S-RC
1. Assembly Process (Solder Composition)	(Leadframe) SnPb	Sn
	(Assembly Solder) SnPb	SnPb (RoHS exemption 7a)
2. Peak Solder Rating (per IPC/JEDEC J-STD-020C)	225°C	260°C
3. Moisture Sensitive Levels (MSL) (per IPC/JEDEC J-STD-020C)	3 (168 Hours, 30°C/60%RH)	4 (72 Hours, 30°C/60%RH)
4. Weight	TBD grams	TBD grams
5. Packaging Information	(Tube) 38 pieces/tube	38 pieces/tube
	(Tape & Reel) 600 pieces/13" reel (*EPF8125S-TR)	600 pieces/13 reel (*EPF8125S-RCTR)

Unless Otherwise Specified Dimensions are in Inches /mm ± .010 / .25