



ENH201UP-250 Color TFT-LCD Module

FEATURES

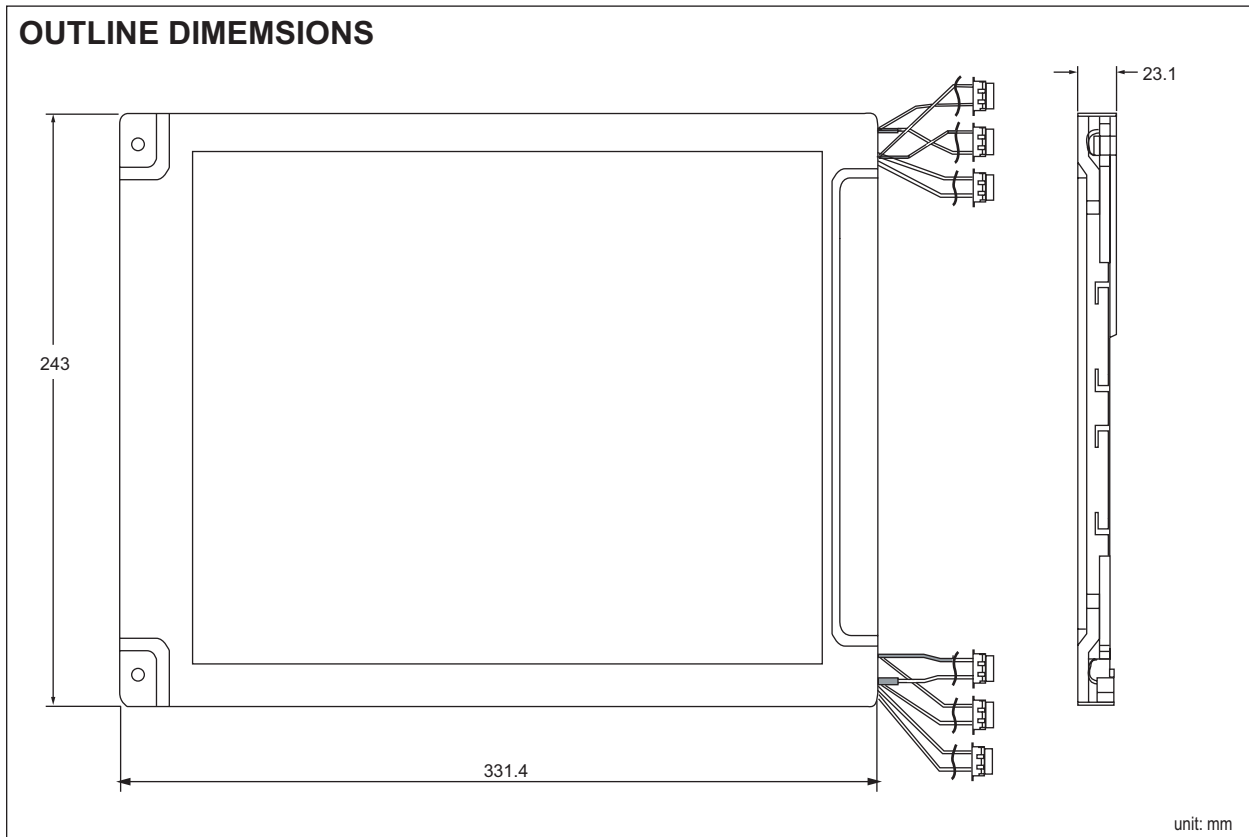
- 51cm[20.1"] UGA Format
- Index Matching Film (IM)
- Reflective Polarizer (RP)

SPECIFICATIONS

Parameter		Unit
Display Size	51 [20.1]	cm["]
Dot Format (H x V)	1600 x RGB x 1200	Dot
Dot Pitch (H x V)	0.25 x 0.25	mm
Active Area (H x V)	408 x 306	mm
Color	167M	-
Brightness	250	cd/m ²
Viewing Angle	170 (H/V)	degree[°]
Backlight Type	6CCFT	-

Parameter		Unit
Input Signal	LVDS	-
Contrast Ratio	500:1	-
Power Consumption	TBD	W
Outline dimensions (WxHxD)	432 x 331.4 x 23.1	mm
Weight	3500	g
Operating Temperature	0 to 60	°C
Storage Temperature	-20 to 70	°C

OUTLINE DIMENSIONS



Note: This measurement is typical, and see Fig. 3 for details.

White Electronic Designs Corp. reserves the right to change products or specifications without notice.

Original specifications created by Sharp.