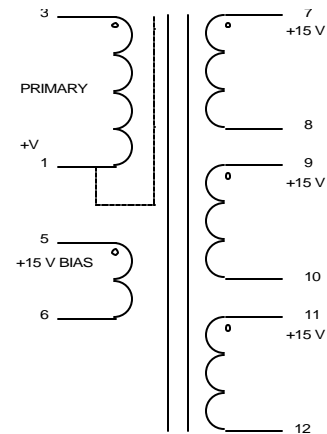


## 80 Watt Flyback Transformer



- Power Integrations TOPSwitch-GX Family Transformer
- Designed for TOP245-247 Chip Sets\*
- Universal Input 85-265 Volts
- Low Leakage Inductance
- Designed to meet IEC950
- Cost Effective Design
- 15v, 15v, & 15v Secondaries
- Custom modifications available (contact DTM engineering)



Electrical Characteristics						
	Parameter	Min	Typ	Max	Units	Conditions
$L_p$	Primary Inductance	128	141	154	uH	1-3 1v @ 132khz
$L_{lk}$	Leakage Inductance			4	uH	1-3 1v @ 132khz (short 3,4,5,6,7,8,9,10)
SRF	Self Resonant Frequency	1.3			MHZ	1-3
$R_p$	DC Resistance Primary			.110	Ohms	1-3 @ 25 degC
$R_b$	DC Resistance Bias			.040	Ohms	5-6
$R_s$	DC Resistance Secondary			.011	Ohms	7-8
$R_s$	DC Resistance Secondary			.011	Ohms	9-10
$R_s$	DC Resistance Secondary			.011	Ohms	11-12

Performance Specifications						
	Parameter	Min	Typ	Max	Units	Conditions
$P_o$	Recommended Output Power	20		80	Watts	Total Output
$V_o$	Output Voltage	12v	15v,15v,15v	48v	Volts	Parallel / Individual / Series

Absolute Maximum Ratings					
	Parameter	Min	Max	Units	Conditions
$T_{op}$	Temperature Range	- 40	+ 130	degC	
$T_r$	Temperature Rise		50	degC	@ Rated Power
DWV	Isolation Voltage	3000		Vrms	Pri,bias-sec
DWV	Isolation Voltage	1500			Pri-bias
DWV	Isolation Voltage	500			Sec-Sec

Specifications subject to change without notice.  
Turns Ratio available on request.

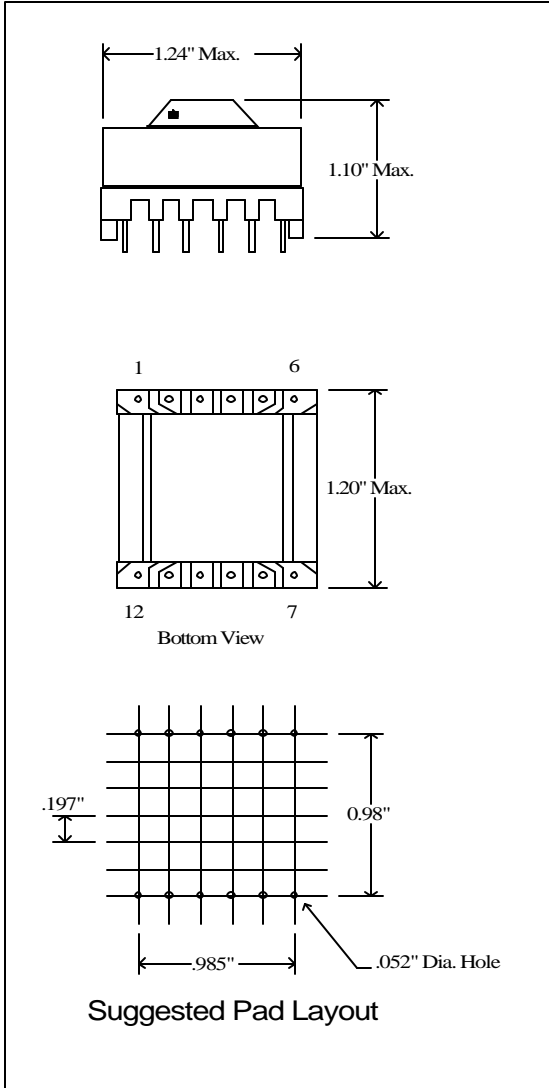
\* 80 Watt design uses Top 247

[www.dtmagnetics.com](http://www.dtmagnetics.com)      [sales@dtmagnetics.com](mailto:sales@dtmagnetics.com)      [engineering@dtmagnetics.com](mailto:engineering@dtmagnetics.com)

DT Magnetics International, Inc.  
140 Crosby Road  
Dover, NH 03820  
Phone (603) 742-4375  
Fax (603) 742-9165

Local Sales Rep Label

**Package Specifications** **Typical Voltage Combinations**



Measurements are in inches  
Specifications subject to change without notice

**Output Voltage can be varied up to 20% by  
adjusting the feedback voltage divider.**

