

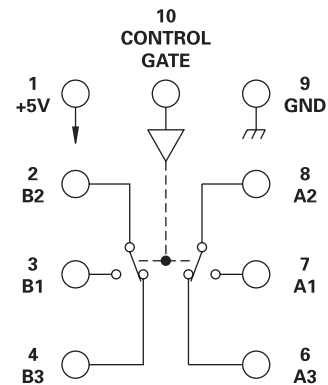
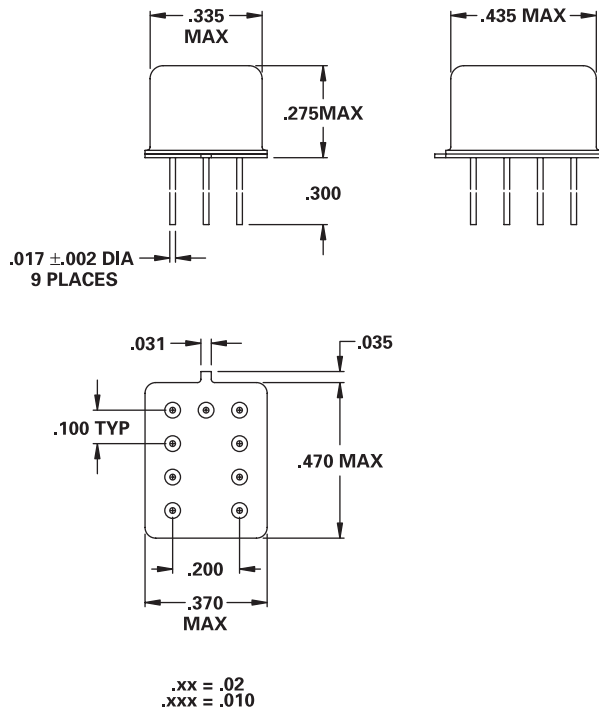
# MODEL NUMBER DSW22206

# Switch DP2T

## FEATURES

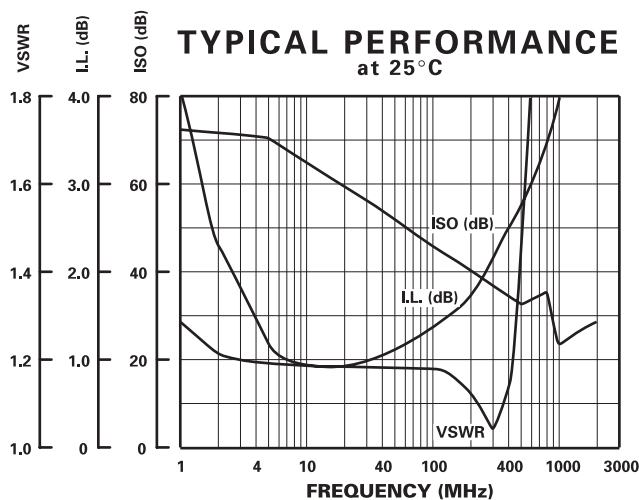
- 3-200 MHz
- 1 dB Insertion Loss
- 45 dB Isolation
- Small DIP Package

## DP2T



## GUARANTEED PERFORMANCE

| Parameter                    | Min     | Typ    | Max   | Units | Conditions                            |
|------------------------------|---------|--------|-------|-------|---------------------------------------|
| Operating Frequency          | 3       |        | 200   | MHz   | Test Frequencies At 17 MHz and 58 MHz |
| DC Current                   |         | 0.261  | 132   | mA    | At +5 VDC Supply                      |
| Control Current              |         | ±1.0   | 50    | µA    | VIH = 2.0 Min                         |
|                              |         | ±1.0   | -400  | µA    | VIH = 0.8 Min                         |
| Insertion Loss               |         | 1.06   | 1.40  | dB    | 10 to 110 MHz                         |
| Isolation                    | 43      | 45     |       | dB    | 10 to 110 MHz                         |
|                              | 38      | 40     |       | dB    | 110 to 200 MHz                        |
| VSWR                         |         | 1.31/1 | 1.5/1 |       | 3 to 10 MHz                           |
|                              |         | 1.19/1 | 1.2/1 |       | 10 to 200 MHz                         |
| Impedance                    |         | 50     |       | OHMS  |                                       |
| Switching Speed              |         | 0.34   | 1     | µSec  |                                       |
| Switching (Video) Transients |         | 40     | 50    | mV    | Peak Value                            |
| Intercept Points             | 3rd     | +34    | +33   | dBm   | 48 - 70 MHz                           |
|                              |         | +28    | +39   | dBm   | 15 - 20 MHz                           |
| RF Power                     | Operate | +9.8   | +13   | dBm   |                                       |
| Operating Temperature        | -55     | +25    | +85   | °C    |                                       |



DAICO Industries

310.507.3242 • FAX 310.507.5701 • www.daico.com