

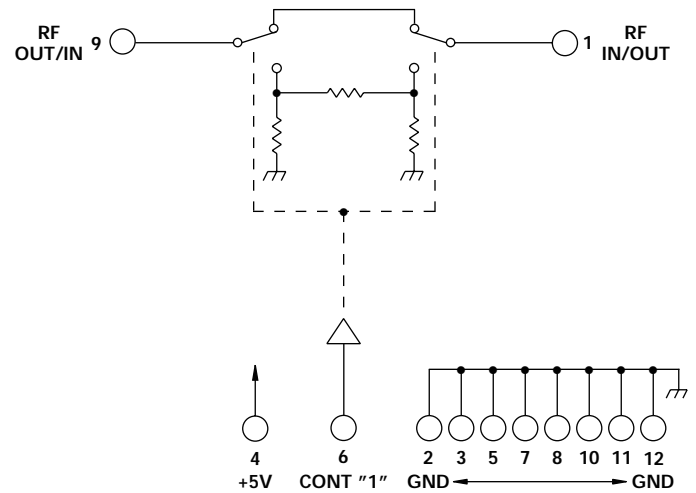
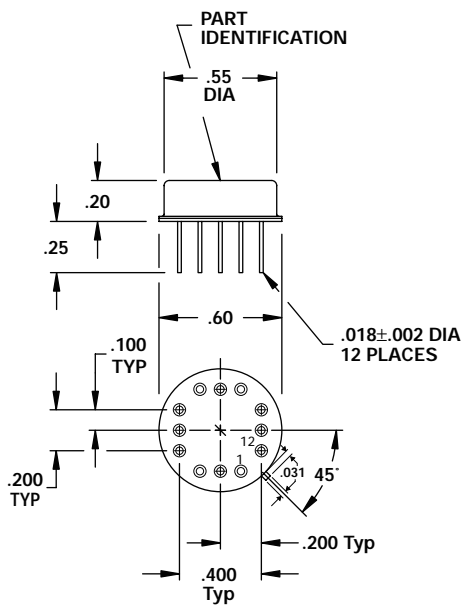
FEATURES

- 10 - 1000 MHz
- 0.1 mA, +5 VDC
- ± 0.1 dB Accuracy
- Constant Phase
- Medium Power
- TTL Driver
- TO-8 Package
- See 100C1711-10 For Connectorized Version



MODEL NO.
DA0923-10

GaAs 1 Section Attenuator



GUARANTEED PERFORMANCE

Parameter	Min	Typ	Max	Units	Conditions
Operating Frequency	10		1000	MHz	
DC Current		0.1	1	mA	At +5 VDC Supply
Control Type		TTL			1 Line, Reverse Logic Available Logic "0" = Attenuation Logic "1" = Thru
Control Current		0	±20	µA	V _{IH} = +3.0 V V _{IL} = +0.5 V
Insertion Loss		1.0	1.4	dB	10 - 700 MHz
		1.2	1.8	dB	700 - 1000 MHz
Attenuation		10		dB	
Fixed Range	0		10	dB	
Accuracy		±0.10	±0.25	dB	
Phase Change Vs. Attenuation		+0.1	±1	DEG	10 - 300 MHz
		+2.0	±5	DEG	300 - 1000 MHz
VSWR		1.1/1	1.3/1		
Impedance		50		OHMS	
Switching Speed		58	100	nSec	50% TTL to 90% / 10% RF
Transition (Rise/Fall) Time		32		nSec	10% / 90% - 90% / 10% RF
Switching (Video) Transients		24		mV	Peak Value
Intercept Points		+100		dBm	214 MHz / 127 MHz
	+40	+50		dBm	107 MHz / 127 MHz
RF Power		+18	+15	dBm	0.1 dB Compression
		+28	+24	dBm	0.1 dB Comp., 500 - 700 MHz
			+30	dBm	
Operating Temperature	-55	+25	+125	°C	TA

