

# CRT Power Supply

CRS110G50 • CRS180G60



## ELECTRICAL RATINGS

Part Number	$V_0$	$G2_{(MAX)}$
	kV	V
CRS110G50	6.0 - 11.0	200-500
CRS180G60	11.0 - 18.0	200-600

## SPECIFICATIONS

<b>Input Voltage:</b>	+24VDC $\pm$ 10%
<b>Anode Output Voltage:</b>	6-11kVDC CRS110G50 adjustable 11-18kVDC CRS180G60 adjustable
<b>Anode Output Current:</b>	0 to 550 $\mu$ A CRS110G50 0 to 550 $\mu$ A CRS180G60
<b>Anode Ripple Voltage:</b>	< 1% peak to peak
<b>Anode Load Regulation:</b>	< 0.1% for NL to FL change
<b>G2 Output Voltage:</b>	200 to 500VDC CRS110G50 adjustable 200 to 600VDC CRS180G60 adjustable
<b>G2 Output Current:</b>	0 to 50 $\mu$ A CRS110G50 0 to 50 $\mu$ A CRS180G60
<b>G2 Ripple Voltage:</b>	< 1% peak to peak
<b>G2 Regulation:</b>	< 0.1% for NL to FL change
<b>Environmental:</b>	
• Storage Temperature	-25°C to +85°C
• Operating Temperature	0°C to +50°C



## Features:

- Low ripple
- Excellent regulation
- Arc and short circuit protection
- Adjustable anode voltage

## CRS Series

The CRS110G50 & CRS180G60 power supplies provide 11kV and 18kV anode voltages as well as G2 voltage adjustable to 500V & 600V respectively. These supplies feature excellent regulation, low ripple and adjustable anode voltage.

Dimensions: In. (mm) • All temperatures are ambient unless otherwise noted. • Data subject to change without notice.

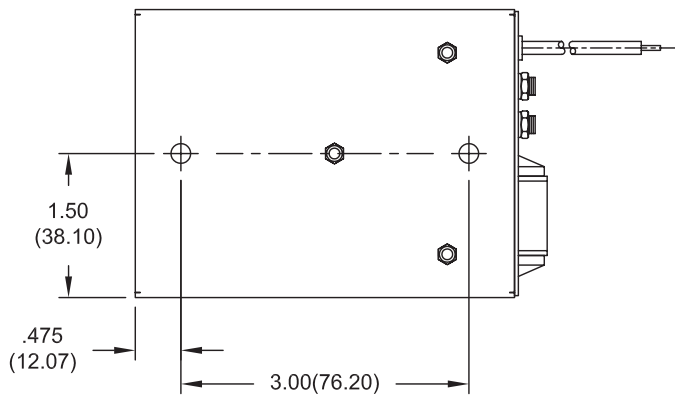
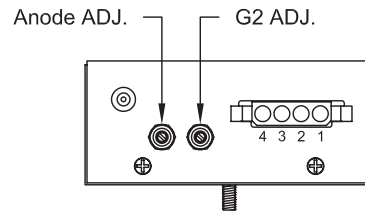
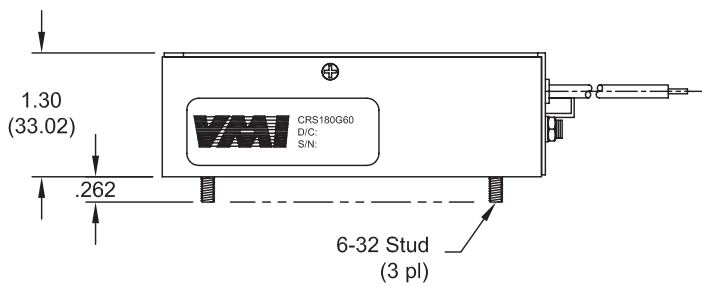
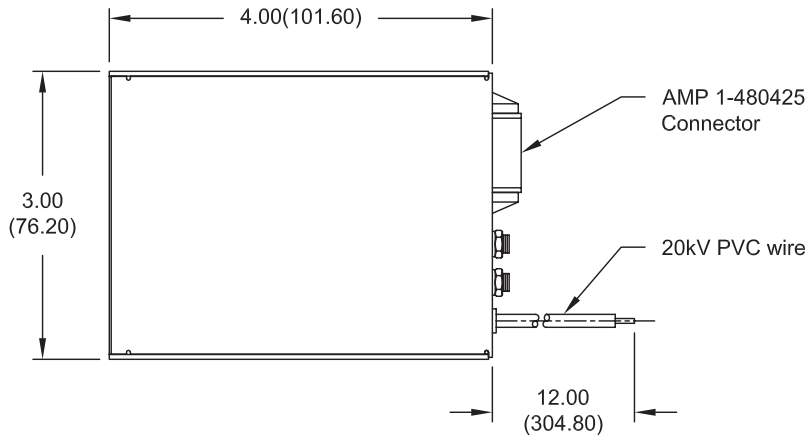


**VOLTAGE MULTIPLIERS INC.**  
8711 W. Roosevelt Ave.  
Visalia, CA 93291

TEL. 559-651-1402  
FAX 559-651-0740

[www.voltagemultipliers.com](http://www.voltagemultipliers.com)  
[www.highvoltagepowersupplies.com](http://www.highvoltagepowersupplies.com)

# CRS110G50 CRS180G60



INTERFACE PIN ASSIGNMENT	
1	G2 Out
2	+24VDC
3	Factory use only
4	Ground

Dimensions: In. (mm) • All temperatures are ambient unless otherwise noted. • Data subject to change without notice.



**VOLTAGE MULTIPLIERS INC.**  
8711 W. Roosevelt Ave.  
Visalia, CA 93291

TEL. 559-651-1402  
FAX 559-651-0740

[www.voltagemultipliers.com](http://www.voltagemultipliers.com)  
[www.highvoltagepowersupplies.com](http://www.highvoltagepowersupplies.com)