

CERLED[®]

Ceramic Chip SMD

SMD
Low Profile
CR 60 R red



Description

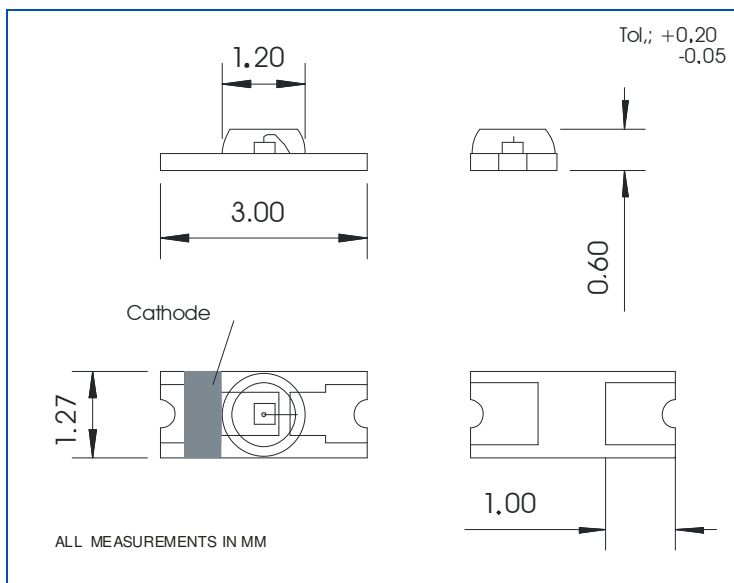
The solder pads provide an excellent heat sink. For multi-colour displays just choose 2 or more CERLEDs and mount them side by side or even antiparallel. Ideal for back - light applications. Small true chip - LED to build custom configurations.

Available on special order in 8 mm blister tape.

The CR 60 R has a clear epoxy lens.

Features and Benefits

- ▶ Solid state ceramic chip
- ▶ Surface mounting device
- ▶ High thermal conductivity
- ▶ Superior light uniformity
- ▶ End - to - end and side - to - side stackable down to a pitch of 1.3 mm



Maximum Ratings at 25 ° C

Power dissipation	P_{tot}	130 mW
Derating linear		2.4 mW / ° C
Peak forward current	I_{FSM} (10 μ s)	500 mA
Continuous forward current	I_F	60 mA
Junction temperature	T_j	120 ° C
Storage temperature	T_{st}	-20 ° C to 120 ° C
Operating temperature	T_{op}	-20 ° C to 80 ° C
Soldering temperature	T_{sold} (10 s)	240 ° C

Adequate heat sink is required. Derating must be observed to maintain junction temperature below maximum. Please note our recommended solder profile at www.optoelectronics.perkinelmer.com.

Optical and Electronic Characteristics at 25 ° C

$I_F = 20$ mA, ambient temperature = 25 ° C

	min	typ	max	unit
Luminous intensity	100	140		mcd
Peak emission wavelength		628		nm
Spectral half bandwidth		20		nm
Forward voltage		2.0	2.6	V
Reverse leakage @ 5 V			10	μ A
Reverse voltage	5			V
Light emission angle		100°		Degree

Note: according IEC 60825-1 (EN60825-1):
LED Radiation class 1

Figure 1

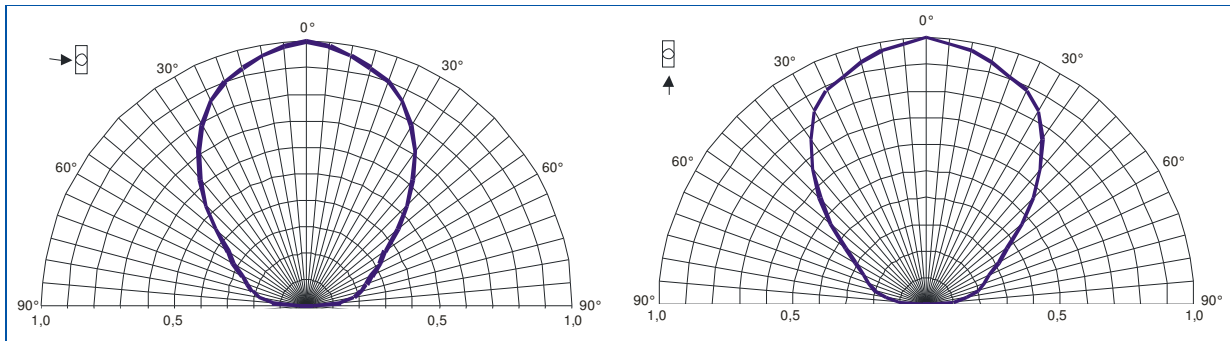




Figure 2
Suggested Mounting Method

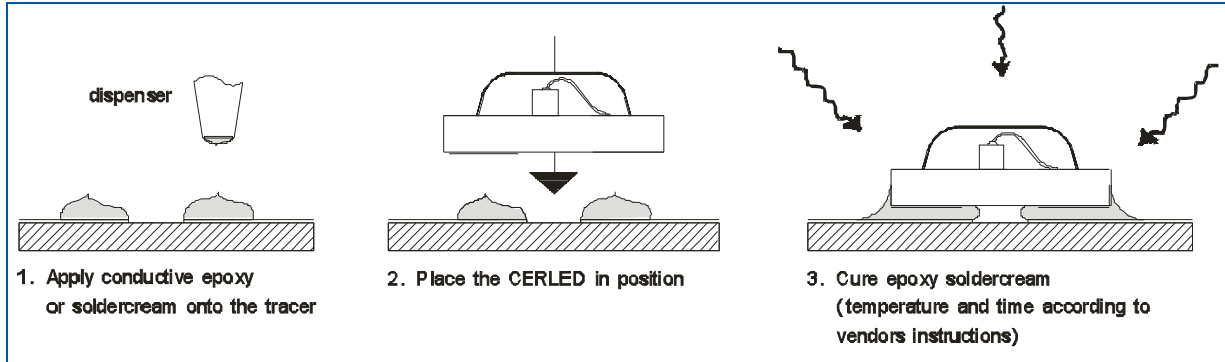


Figure 3
Special Packaging Standard 8 mm Blister Tape

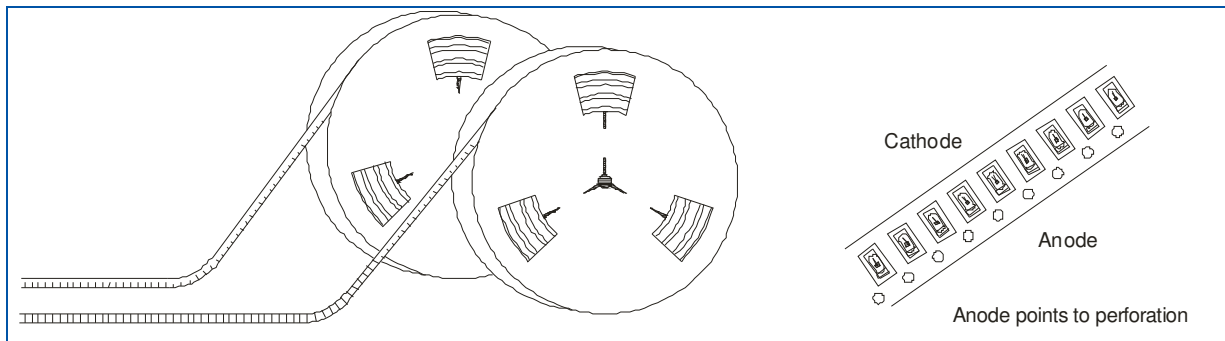
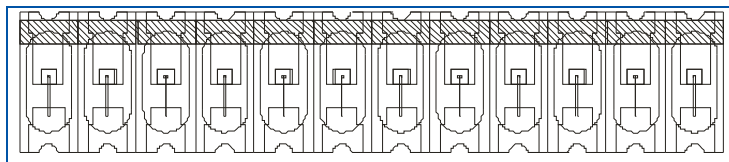


Figure 4
Arrays: Available in strips up to 12 CERLEDs with a max. pitch tolerance in spacing and linearity of ± 0.01 mm between chip centers.



Code to order strips:
CR 60 r – XX (no. of LEDs)

PerkinElmer Elcos GmbH
European Customer Support for LED Solutions
Luitpoldstrasse 6
85276 Pfaffenhofen, Germany
Telephone: (+49)8441-8917-0
Fax: (+49)8441-71910
Elcos.sales@perkinelmer.com

European Headquarters
Wenzel-Jaksch-Strasse 31
65199 Wiesbaden, Germany
Telephone: (+49)611-492-247
Fax: (+49)611-492-170
opto.Europe@perkinelmer.com

North America Customer Support Hub
22001 Dumberry Road
Vaudreuil-Dorion, Québec
Canada J7V 8P7
Telephone: (+1) 450-424-3300
(+1) 866-574-6786 (toll-free)
Fax: (+1) 450-424-3345
opto@perkinelmer.com

Asia Customer Service Hub
47 Ayer Rajah Crescent #06-12
Singapore 139947
Telephone: (+65)6775-2022
(+65)67704-366
Fax: (+65)6775-1008
opto.Asia@perkinelmer.com



For a complete listing of our global offices, visit www.optoelectronics.perkinelmer.com

©2005 PerkinElmer, Inc. All rights reserved. The PerkinElmer logo and design are registered trademarks of PerkinElmer, Inc. CERLED® is a trademark of PerkinElmer, Inc. or its subsidiaries, in the United States and other countries. All other trademarks not owned by PerkinElmer, Inc. or its subsidiaries that are depicted herein are the property of their respective owners. PerkinElmer reserves the right to change this document at any time without notice and disclaims liability for editorial, pictorial or typographical errors.
600074_01 DTS1005