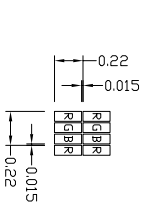
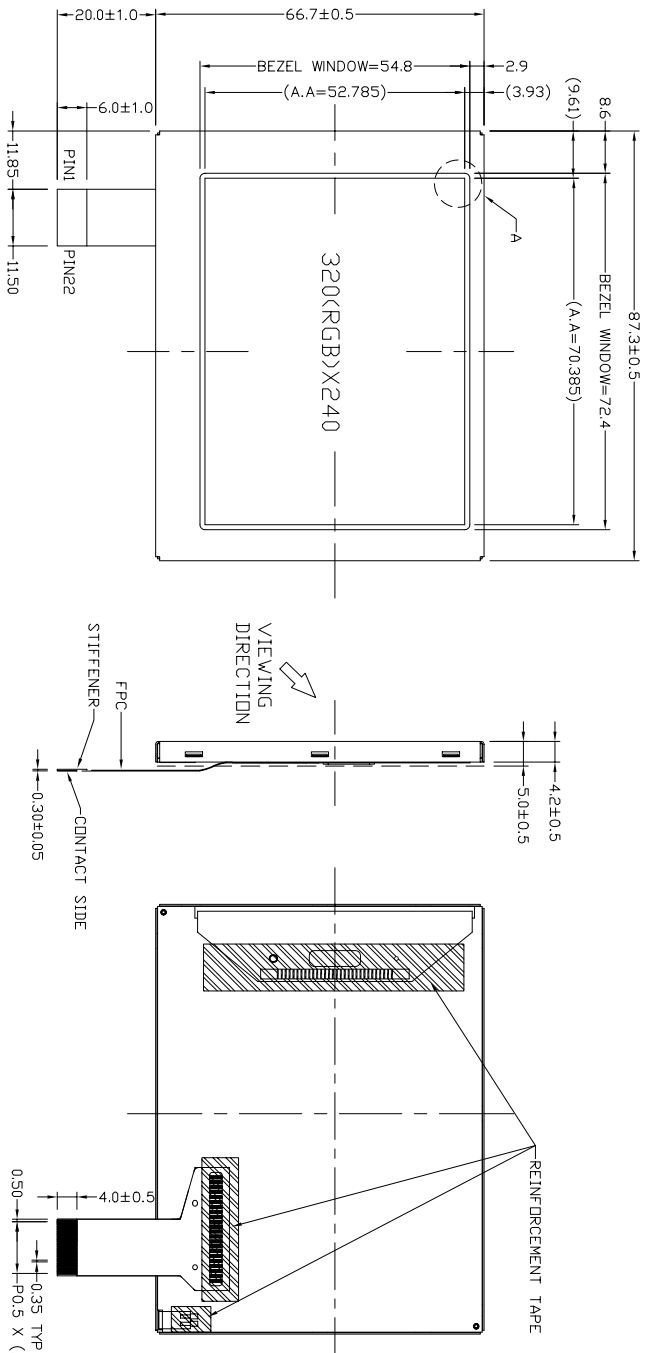


THE DRAWING OR THIS PRINT AND INFORMATION THEREWITH ARE PROPRIETARY TO VARRTRONIX AND SHALL NOT BE USED IN WHOLE OR IN PART WITHOUT WRITTEN PERMISSION OF VARRTRONIX.

PRELIMINARY



DETAIL A
(DOT SIZE FOR CUSTOMER REFERENCE ONLY)

Display Type	4K 3.5" COLOR STN. -VE. TRANSPARENT
Display Resolution	320 (RGB) X 240 DOTS
Viewing Angle	6 O'CLOCK
Max ratio and bias level	1/240 DUTY
LCD Controller/Driver	SSD1702T2R1, SSD1706Z x 2
Logic Voltage	5V
LCD Driving Voltage	TBD
Operation Temperature	0°C to 50°C
Storage Temperature	-20°C to 60°C
Backlight	LED BACKLIGHT

1	2	3	4	5	6	7	8	9	10	11
VDD	VSS	XCK	FR	LP	CP	FLM	DISPOFF	LED+	LED+	LED-
12	13	14	15	16	17	18	19	20	21	22
LED-	NC	D0	D1	D2	D3	D4	D5	D6	D7	VLCD

NOTES:
 1. SPECIAL CHARACTERISTIC
 2. SAFETY CHARACTERISTIC
 3. CRITICAL DIMENSION
 4. REFERENCE DIMENSION



VARRTRONIX LIMITED

ISSUE	AMENDMENT	DATE

TITLE: LCM Module Specification		
PROJECT NO: COG-C350MVQ-01		
CUSTOMER REF: XXXXXXXXXXXX-XX		
TOLERANCE UNLESS OTHERWISE SPECIFIED:	XX ±0.3 XXX ±0.1 ANGULAR ±1°	
DIMENSIONS IN MM		
MATERIAL: N/A	FINISH: N/A	
SCALE: DO NOT ON SCALE	OVERALL THK: N/A	
THIRD ANGLE PROJECTION		
DRAWN: XG LUQ	SIGN: [Signature]	DATE: 05.12.12
CHECKED: JH LU		
APPROVED: YL LAW		
ITEM NO.: COG-C350MVQ-01		
DESCRIPTION: COG-C350MVQ-01		
FILE NO: COG-C350MVQ-01 R0.DWG	REV: 0	
SHEET 1 OF 1		