

### GENERAL DESCRIPTION

The CM431 is a three-terminal adjustable shunt voltage regulator with specified thermal stability and pin-to-pin compatible with the earlier 431 series. The output voltage can be adjusted to any value between  $V_{REF}$  and 36V by using two external resistors. The CM431 offers low output impedance for improved load regulation with a typical output impedance of 200m $\Omega$ . Because of the active output circuitry, the CM431 can replace the zener diodes in applications such as switching power supplies, OVP crowbar circuits, references for A/D, D/A converters with improved turn-on characteristics.

### FEATURES

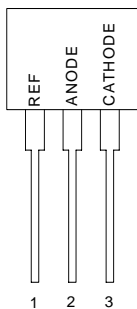
- ◆ Initial voltage reference accuracy of 1.0%.
- ◆ Sink current capability from 1mA to 100mA
- ◆ Typical output dynamic impedance less than 200m $\Omega$ ;
- ◆ Adjustable output voltage from  $V_{REF}$  to 36V
- ◆ Available in SOT-23, SOT-89, TO-92, & SOP-8
- ◆ Low output noise
- ◆ Typical equivalent full range temperature coefficient of 30ppm/ $^{\circ}$ C

### APPLICATIONS

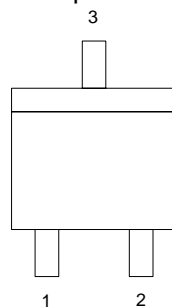
- ◆ Voltage Reference
- ◆ Precision shunt regulator
- ◆ High current shunt regulator
- ◆ PWM down converter with reference
- ◆ Voltage monitor

### PIN CONFIGURATION

TO-92  
Front View



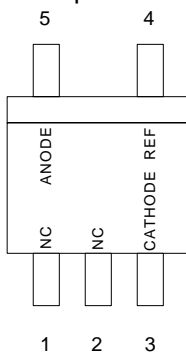
SOT-23-3  
Top View



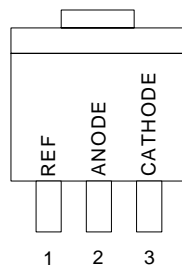
	CM431XCM233	CM431XCM2R3
Pin 1	REF	CATHODE
Pin 2	CATHODE	REF
Pin 3	ANODE	ANODE

Suffix "X": Grade "A", "B", "C", or "D"

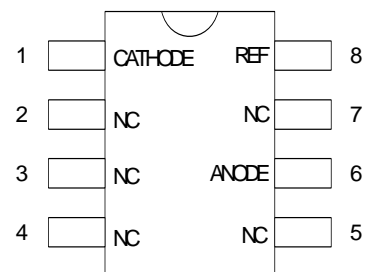
SOT-23-5  
Top View



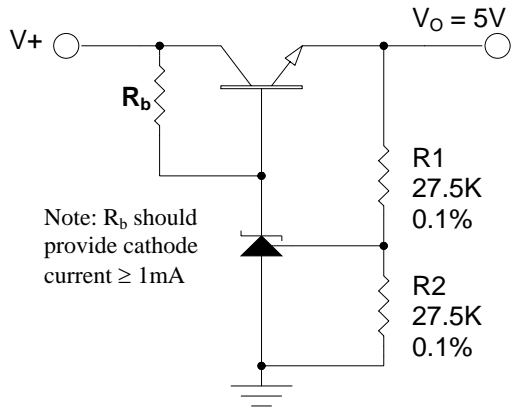
SOT-89  
Top View



SOP-8  
Top View

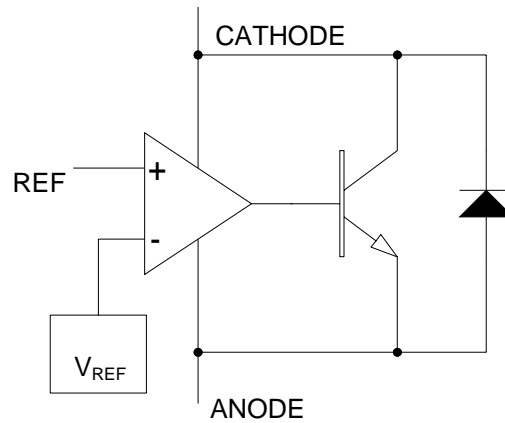


### TYPICAL APPLICATION



5V Precision Regulator

### BLOCK DIAGRAM



### ORDERING INFORMATION

PACKAGE	TOLERANCE			T/R Quantity
	0.5%	0.7%	1.0%	
SOT-23 <sup>(1)</sup>	CM431ACM233	CM431DCM233	CM431BCM233	TR=3K
SOT-23 <sup>(1)</sup>	CM431ACM2R3	CM431DCM2R3	CM431BCM2R3	TR=3K
SOT-89 <sup>(1)</sup>	CM431ACM89	CM431DCM89	CM431BCM89	TR=1K
TO-92 <sup>(2)</sup>	CM431ACN	CM431DCN	CM431BCN	TA=2K
SOP-8	CM431ACS	CM431DCS	CM431BCS	
SOT-23 <sup>(1)</sup>	CM431GACM233*	CM431GDCM233*	CM431GBCM233*	TR=3K
SOT-23 <sup>(1)</sup>	CM431GACM2R3*	CM431GDCM2R3*	CM431GBCM2R3*	TR=3K
SOT-89 <sup>(1)</sup>	CM431GACM89*	CM431GDCM89*	CM431GBCM89*	TR=1K
TO-92 <sup>(2)</sup>	CM431GACN*	CM431GDCN*	CM431GBCN*	TA=2K
SOP-8	CM431GACS*	CM431GDCS*	CM431GBCS*	

Notes :

- (1) Add suffix "TR" for Tape & Reel.
- (2) Add suffix "TA" for Tape Ammo.
- (3) **\*Note:** Add suffix "G" for Pb Free Product

## ABSOLUTE MAXIMUM RATINGS

Cathode to Anode Voltage ( $V_{KA}$ ) (Note 2)	-0.3V to 37V
Continuous Cathode Current ( $I_K$ )	-100mA to 150mA
Reference Input Current ( $I_{REF}$ )	-50uA to 10mA
Maximum junction temperature range, $T_J$	150°C
Storage temperature range	-65°C to 150°C
Lead temperature (soldering, 10 seconds)	260°C

Note 1: Exceeding these ratings could cause damage to the device. All voltages are with respect to Ground.  
Currents are positive into, negative out of the specified terminal.

Note 2: Voltage values are with respect to the anode terminal unless otherwise noted.

## POWER DISSIPATION TABLE

Package	$\theta_{JA}$ (°C/W)	Derating factor ( mW/°C ) $T_A \geq 25^\circ\text{C}$	$T_A \leq 25^\circ\text{C}$ Power rating(mW)	$T_A = 70^\circ\text{C}$ Power rating(mW)	$T_A = 85^\circ\text{C}$ Power rating (mW)
SOP-8	165	6.06	757	485	394
TO-92	156	6.41	801	513	417
SOT-89	71(note)	14.1	1763	1128	916
SOT-23	285	3.5	438	280	228

Note :

- For SOT-89 package, Thermal Resistance-Junction to Tab ( $\theta_{JT}$ ) = 35°C/W.  $T_J = T_{TAB} + (P_D \times \theta_{JT})$
- $\theta_{JA}$ : Thermal Resistance-Junction to Ambient  
Junction Temperature Calculation:  $T_J = T_A + (P_D \times \theta_{JA})$ .  
The  $\theta_{JA}$  numbers are guidelines for the thermal performance of the device/PC-board system.  
All of the above assume no ambient airflow.

## RECOMMENDED OPERATING CONDITIONS

	Min	Max	Units
Operating free air temperature range, $T_A$	0	105	°C
Cathode current, $I_K$	1	100	mA
Cathode voltage, $V_{KA}$	0	36	V

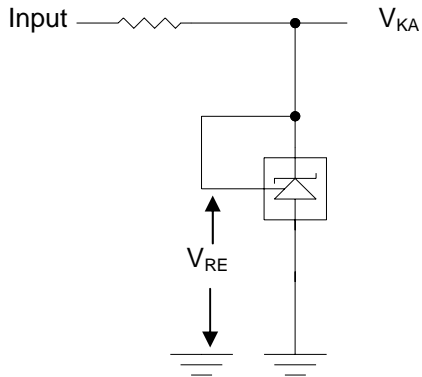
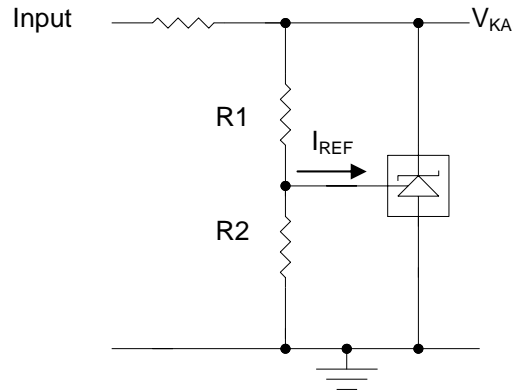
### ELECTRICAL CHARACTERISTICS

Unless otherwise specified, these specifications apply over the operating ambient temperatures with  $T_A = 25^\circ\text{C}$ .

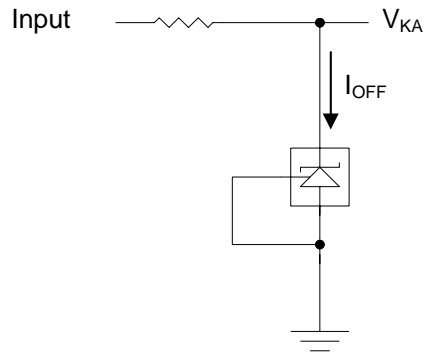
Parameter	Symbol	Test Conditions	CM431			Units
			Min	Typ	Max	
Reference Input Voltage	$V_{REF}$	$I_K = 10\text{mA}, V_{KA} = V_{REF}, 0.5\%$	2.482	2.495	2.507	V
		$I_K = 10\text{mA}, V_{KA} = V_{REF}, 0.7\%$	2.478	2.495	2.512	V
		$I_K = 10\text{mA}, V_{KA} = V_{REF}, 1.0\%$	2.470	2.495	2.520	V
Reference Drift		$I_K = 10\text{mA}, V_{KA} = V_{REF}, 0^\circ\text{C} \leq T_A \leq 70^\circ\text{C}$		4	17	mV
Voltage Ratio, Ref to Cathode (note 4)		$I_K = 10\text{mA}, V_{KA} = 2.5\text{V to } 36\text{V}$		-1.4	-2.7	mV/V
Reference Input Current	$I_{REF}$	$I_K = 10\text{mA}, V_{KA} = V_{REF}$		2	4	$\mu\text{A}$
		$I_K = 10\text{mA}, V_{KA} = V_{REF}, 0^\circ\text{C} \leq T_A \leq 70^\circ\text{C}$			2.3	
Minimum Operating Current	$I_{MIN}$	$V_{KA} = V_{REF}$		0.4	1	mA
Off-State Cathode Current	$I_{OFF}$	$V_{KA} = 36\text{V}, V_{REF} = 0\text{V}$		0.1	1	$\mu\text{A}$
Dynamic Impedance	$ Z_{KA} $	$V_{KA} = V_{REF}, I_K = 1\text{mA to } 100\text{mA}, f \leq 1\text{kHz}$		0.2	0.5	$\Omega$

Note 3: These parameters are guaranteed by design

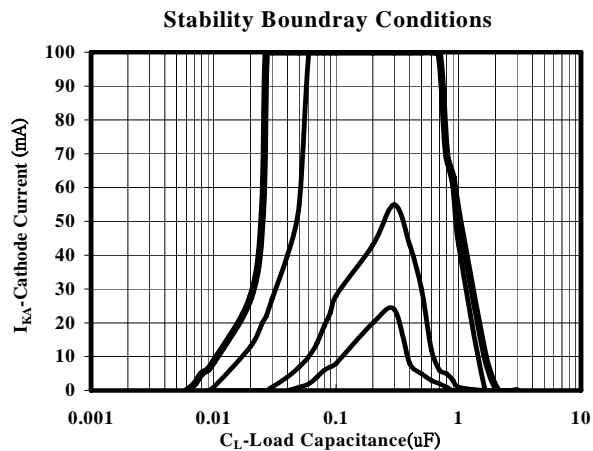
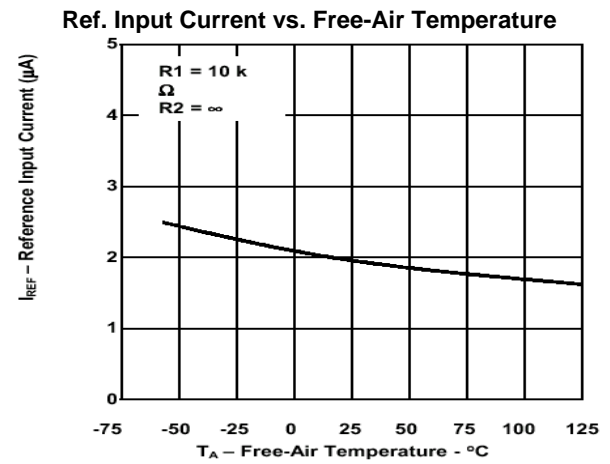
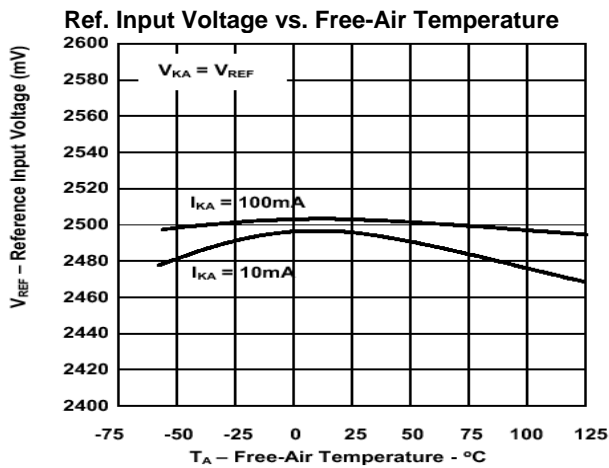
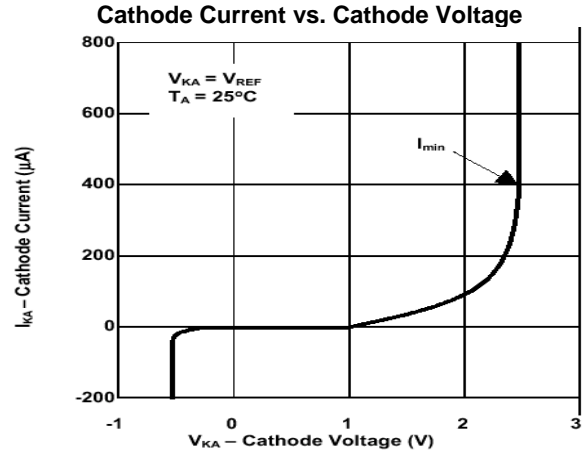
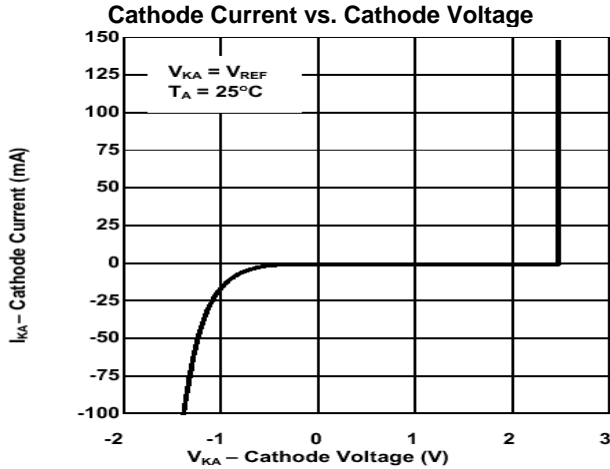
Note 4:  $\frac{\Delta V_{REF}}{\Delta V_{KA}}$  Ratio of change in reference input voltage to the change in cathode voltage

**PARAMETER MEASUREMENT INFORMATION**

**Figure 1.** Test Circuit for  $V_{KA} = V_{REF}$ 


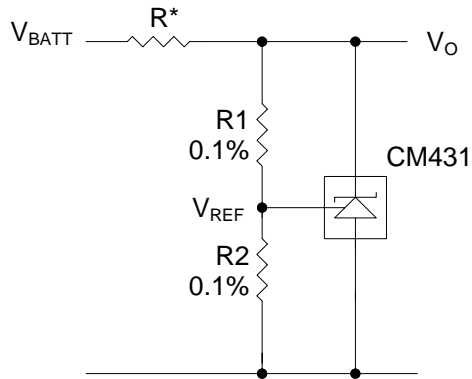
$$V_{KA} = V_{REF} \left( 1 + \frac{R1}{R2} \right) + I_{REF} \times R1$$

**Figure 2.** Test Circuit for  $V_{KA} > V_{REF}$ 

**Figure 3.** Test Circuit for  $I_{OFF}$

### TYPICAL CHARACTERISTICS



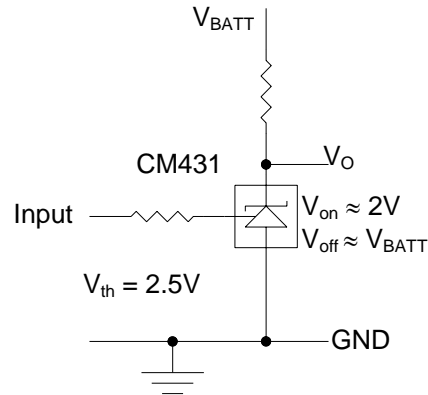
### APPLICATION INFORMATION



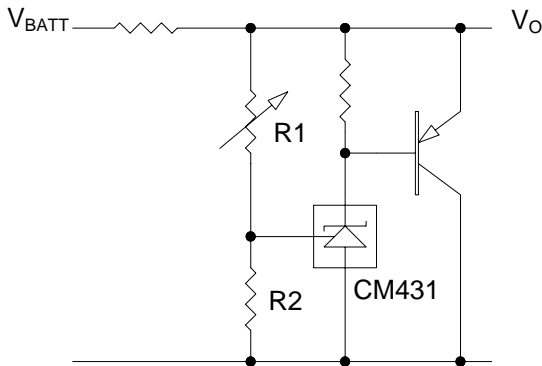
$$V_O = (1 + R1/R2) \times V_{REF}$$

Note: R should provide 1mA cathode current to the CM431 of minimum  $V_{BATT}$

**Figure 4. Shunt Regulator**

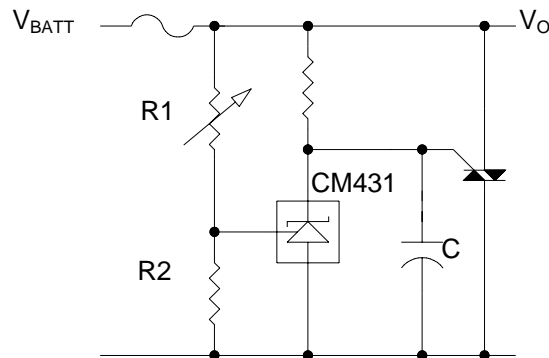


**Figure 5. Single-Supply Comparator With Temperature compensated threshold.**

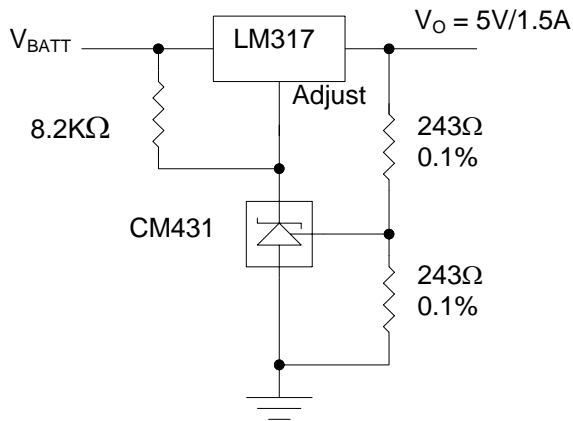
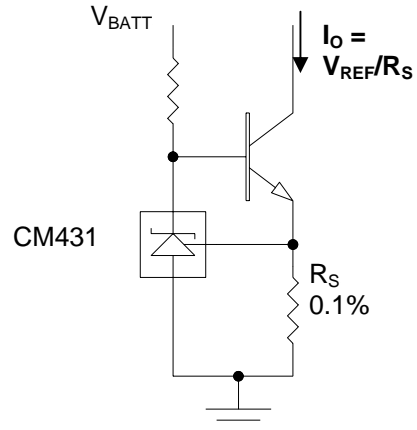
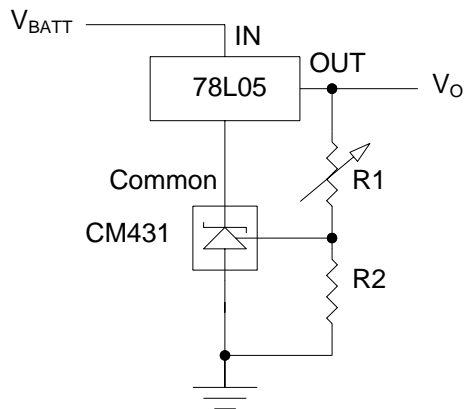


$$V_O = (1 + R1/R2) \times V_{REF}$$

**Figure 6. High-Current Shunt Regulator**

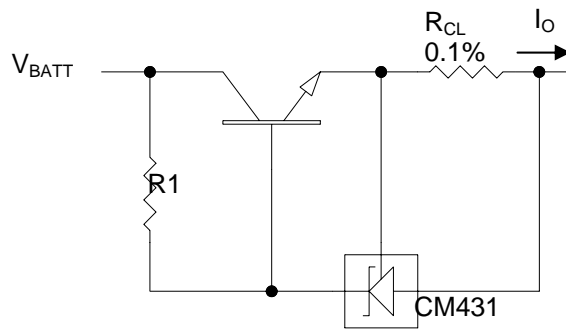


**Figure 7. Crowbar Circuit**

**APPLICATION INFORMATION (continued)**

**Figure 8.** Precision 5V, 1.5A Regulator

**Figure 9.** Precision Constant Current Sink


$$V_O = (1 + R1/R2) \times V_{REF}$$

$$\text{Min } V_O = V_{REF} + 5V$$

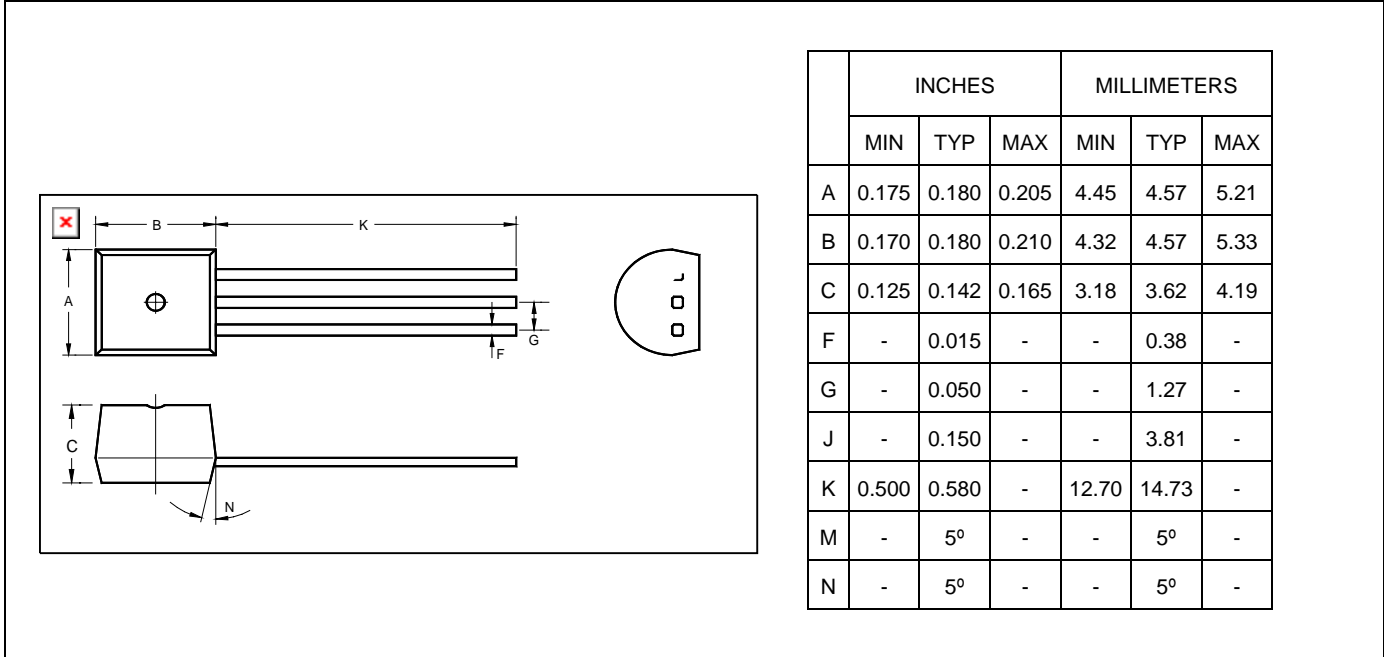
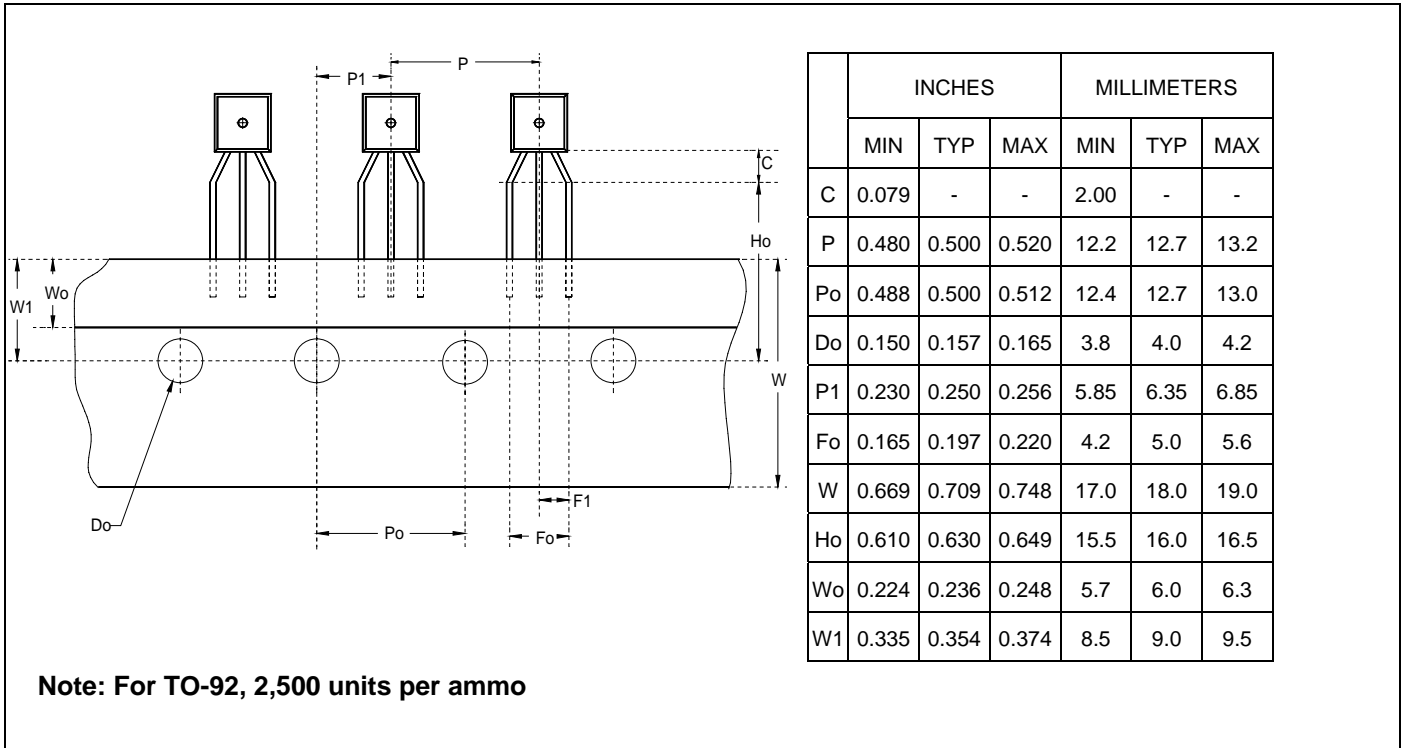
**Figure 10.** Output Control of a Three-Terminal Fixed Regulator


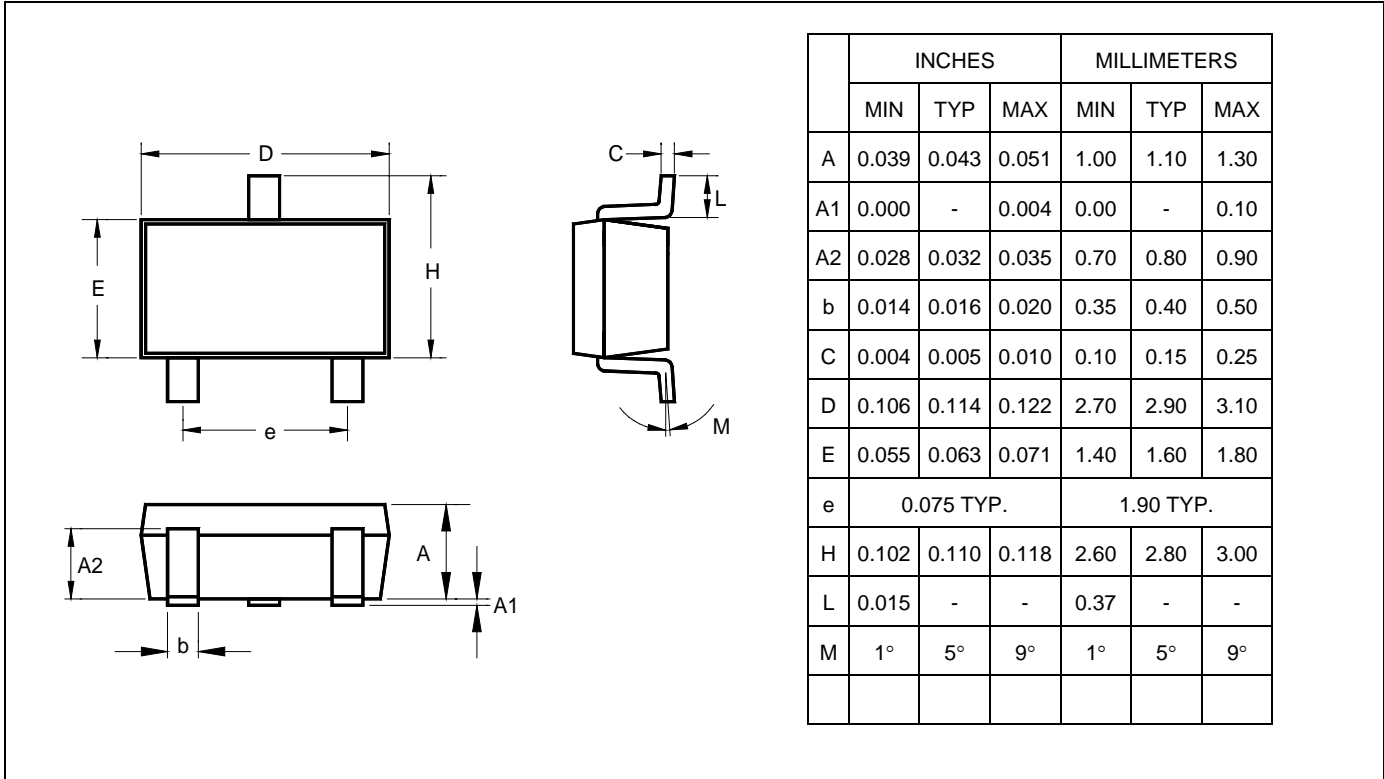
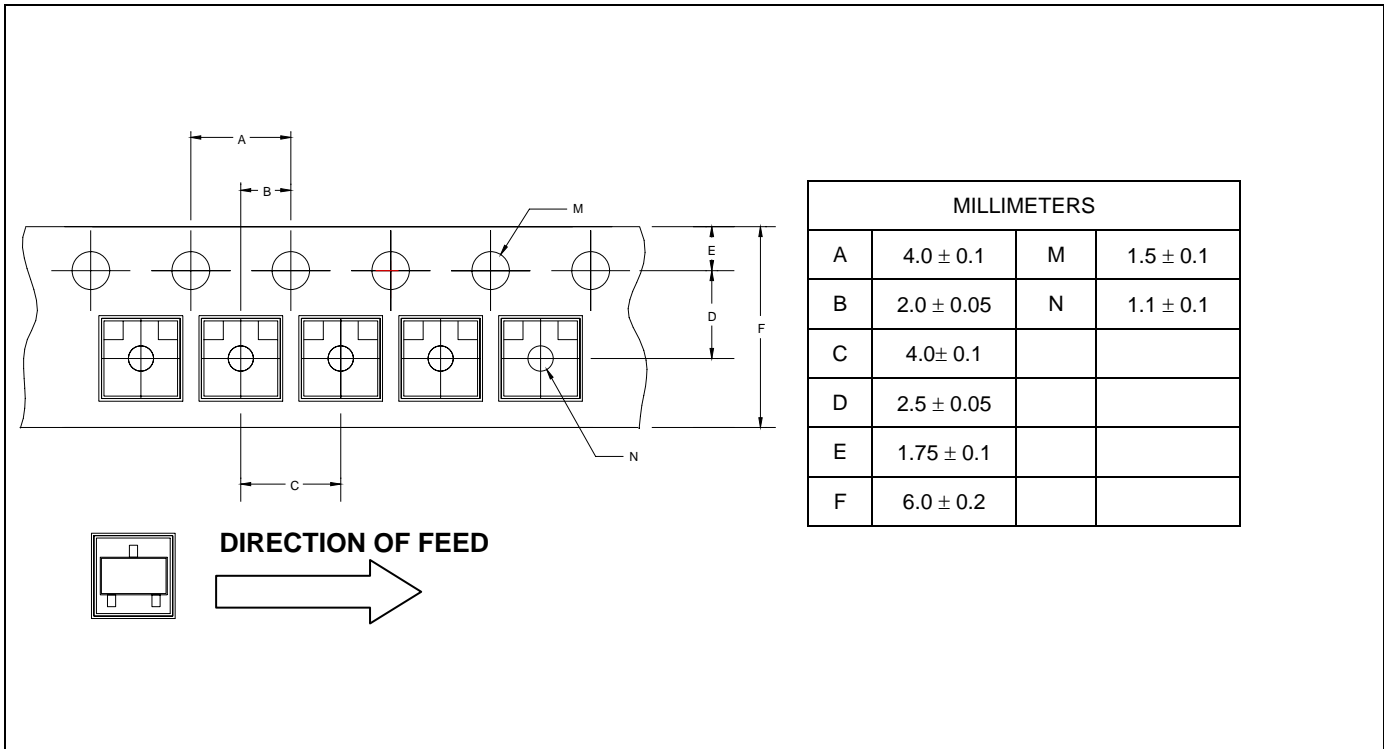
$$I_{OUT} = (V_{REF}/R_{CL}) + I_{KA}$$

$$R1 = V_{BATT}/((I_O/h_{FE}) + I_{KA})$$

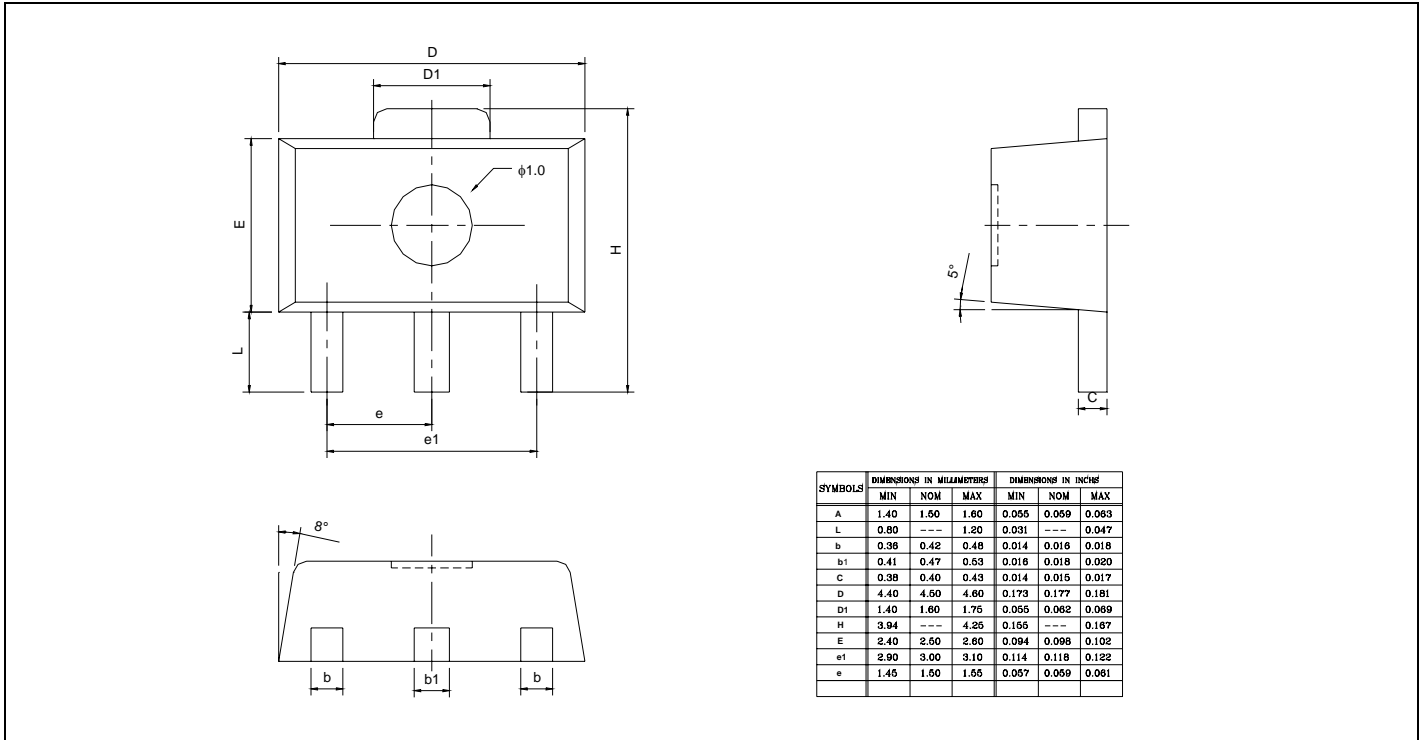
**Figure 11.** Precision Current Limiter



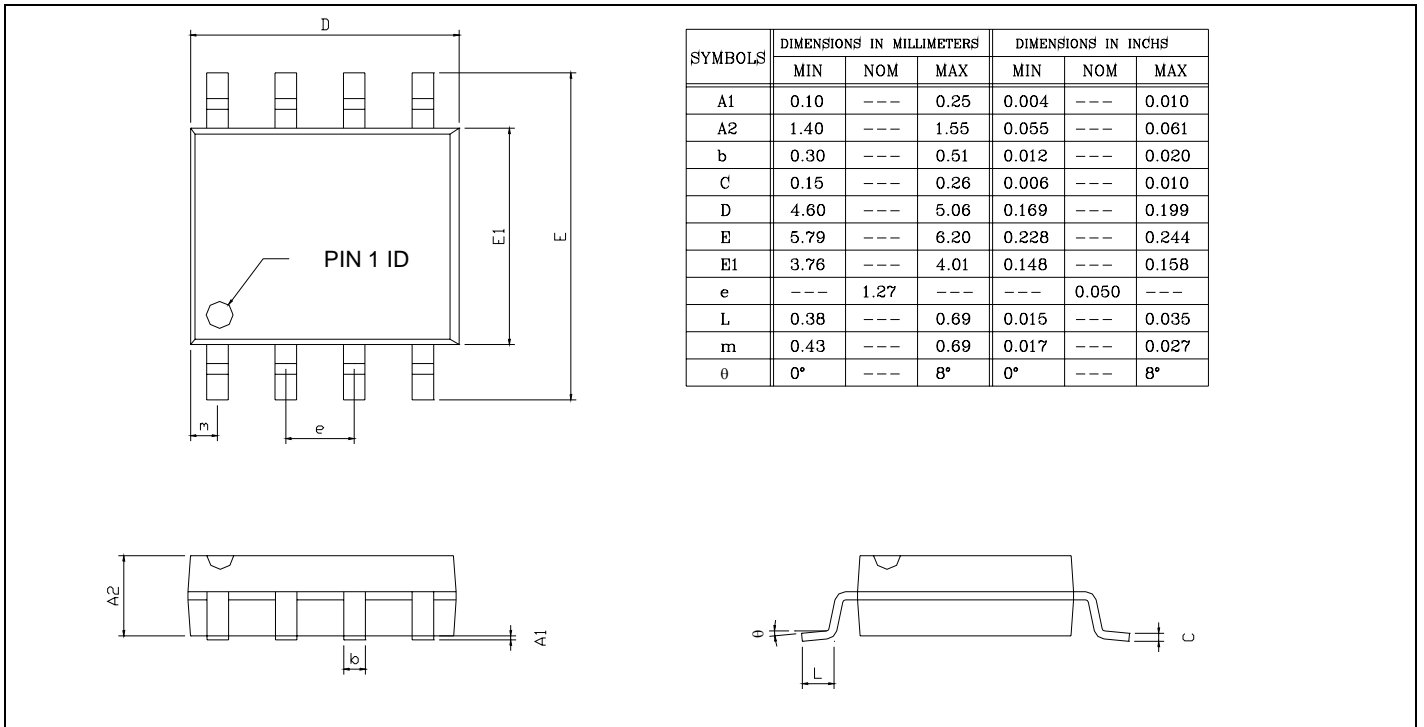
**3-Pin Plastic TO-92 Package Dimension**

**3-Pin Plastic TO-92 Carrier Dimensions**


**Surface Mount SOT-23**

**Surface Mount SOT-23 Carrier Dimensions**


### SOT-89 Package Dimension



### 8-Pin Plastic S.O.I.C.



**IMPORTANT NOTICE**

Champion Microelectronic Corporation (CMC) reserves the right to make changes to its products or to discontinue any integrated circuit product or service without notice, and advises its customers to obtain the latest version of relevant information to verify, before placing orders, that the information being relied on is current.

A few applications using integrated circuit products may involve potential risks of death, personal injury, or severe property or environmental damage. CMC integrated circuit products are not designed, intended, authorized, or warranted to be suitable for use in life-support applications, devices or systems or other critical applications. Use of CMC products in such applications is understood to be fully at the risk of the customer. In order to minimize risks associated with the customer's applications, the customer should provide adequate design and operating safeguards.

**HsinChu Headquarter**

5F, No. 11, Park Avenue II,  
Science-Based Industrial Park,  
HsinChu City, Taiwan  
TEL: +886-3-5679979  
FAX: +886-3-5679909

**Sales & Marketing**

7F-6, No.32, Sec. 1, Chenggong Rd.,  
Nangang District, Taipei City 115,  
Taiwan , R.O.C.  
TEL : +886-2-2788 0558  
FAX : +886-2-2788 2985