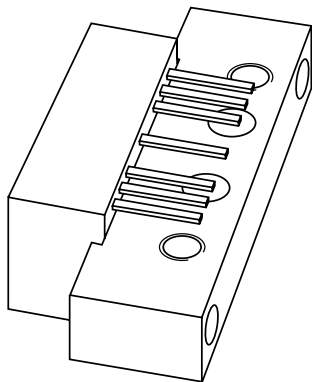


# DATA SHEET



## **CGY887**

**870 MHz, 21.5 dB gain  
push-pull amplifier**

Product specification  
Supersedes data of 2002 June 07

2002 Jun 27

# 870 MHz, 21.5 dB gain push-pull amplifier

**CGY887**

## FEATURES

- Superior linearity
- Extremely low noise
- Rugged construction
- Gold metallization ensures excellent reliability
- Excellent gain behaviour over temperature.

## APPLICATIONS

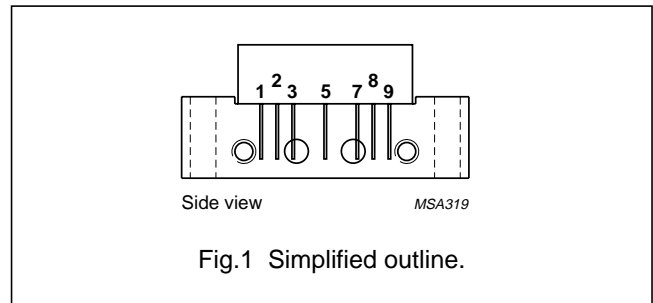
- CATV systems operating in the 40 to 870 MHz frequency range.

## DESCRIPTION

Hybrid dynamic range amplifier module in a SOT115J package operating with a voltage supply of 24 V (DC), employing both GaAs and Si dies.

## PINNING - SOT115J

PIN	DESCRIPTION
1	input
2	common
3	common
5	+V <sub>B</sub>
7	common
8	common
9	output



## QUICK REFERENCE DATA

SYMBOL	PARAMETER	CONDITIONS	MIN.	MAX.	UNIT
G <sub>p</sub>	power gain	f = 50 MHz	21.2	21.8	dB
		f = 870 MHz	22	23	dB
I <sub>tot</sub>	total current consumption (DC)	V <sub>B</sub> = 24 V	–	240	mA

## LIMITING VALUES

In accordance with the Absolute Maximum Rating System (IEC 60134).

SYMBOL	PARAMETER	MIN.	MAX.	UNIT
V <sub>i</sub>	RF input voltage	–	75	dBmV
T <sub>stg</sub>	storage temperature	–40	+100	°C
T <sub>mb</sub>	operating mounting base temperature	–20	+100	°C

## 870 MHz, 21.5 dB gain push-pull amplifier

CGY887

**CHARACTERISTICS**Bandwidth 40 to 870 MHz;  $V_B = 24$  V;  $T_{mb} = 35$  °C;  $Z_S = Z_L = 75$   $\Omega$ 

SYMBOL	PARAMETER	CONDITIONS	MIN.	MAX.	UNIT
G <sub>p</sub>	power gain	f = 45 MHz	21.2	21.8	dB
		f = 870 MHz	22	23	dB
SL	slope straight line	f = 45 to 870 MHz; note 1	0.6	1.4	dB
FL	flatness straight line	f = 45 to 100 MHz	–	±0.3	dB
		f = 100 to 800 MHz	–	±0.5	dB
		f = 800 to 870 MHz	–	±0.3	dB
S <sub>11</sub>	input return losses	f = 45 to 80 MHz	20	–	dB
		f = 80 to 160 MHz	20	–	dB
		f = 160 to 320 MHz	20	–	dB
		f = 320 to 550 MHz	20	–	dB
		f = 550 to 650 MHz	19	–	dB
		f = 650 to 750 MHz	17	–	dB
S <sub>22</sub>	output return losses	f = 45 to 80 MHz	21	–	dB
		f = 80 to 160 MHz	19	–	dB
		f = 160 to 320 MHz	17	–	dB
		f = 320 to 550 MHz	16	–	dB
		f = 550 to 650 MHz	16	–	dB
		f = 650 to 750 MHz	16	–	dB
S <sub>21</sub>	phase response	f = 50 MHz	–45	+45	deg
CTB	composite triple beat	79 chs flat; V <sub>o</sub> = 44 dBmV; f <sub>m</sub> = 547.25 MHz	–	–57	dB
		112 chs flat; V <sub>o</sub> = 44 dBmV; f <sub>m</sub> = 745.25 MHz	–	–55	dB
		132 chs flat; V <sub>o</sub> = 42 dBmV; f <sub>m</sub> = 859.25 MHz	–	–55	dB
X <sub>mod</sub>	cross modulation	79 chs flat; V <sub>o</sub> = 44 dBmV; f <sub>m</sub> = 55.25 MHz	–	–53	dB
		112 chs flat; V <sub>o</sub> = 44 dBmV; f <sub>m</sub> = 55.25 MHz	–	–50	dB
		132 chs flat; V <sub>o</sub> = 42 dBmV; f <sub>m</sub> = 55.25 MHz	–	–52	dB
CSO	composite second order distortion	79 chs flat; V <sub>o</sub> = 44 dBmV; f <sub>m</sub> = 548.5 MHz	–	–60	dB
		CSO <sub>sum</sub> 112 chs flat; V <sub>o</sub> = 44 dBmV; f <sub>m</sub> = 746.5 MHz	–	–55	dB
		CSO <sub>dif</sub> 112 chs flat; V <sub>o</sub> = 44 dBmV; f <sub>m</sub> = 150 MHz	–	–65	dB
		CSO <sub>sum</sub> 132 chs flat; V <sub>o</sub> = 42 dBmV; f <sub>m</sub> = 860.5 MHz	–	–55	dB
		CSO <sub>dif</sub> 132 chs flat; V <sub>o</sub> = 42 dBmV; f <sub>m</sub> = 150 MHz	–	–65	dB
d <sub>2</sub>	second order distortion	note 2	–	–58	dB
		note 3	–	–57	dB
		note 4	–	–57	dB
V <sub>o</sub>	output voltage	d <sub>im</sub> = –60 dB; note 5	64	–	dBmV
		d <sub>im</sub> = –60 dB; note 6	63	–	dBmV
		d <sub>im</sub> = –60 dB; note 7	62	–	dBmV

## 870 MHz, 21.5 dB gain push-pull amplifier

CGY887

SYMBOL	PARAMETER	CONDITIONS	MIN.	MAX.	UNIT
NF	noise figure	f = 50 MHz	–	5.5	dB
		f = 100 MHz to f = 870 MHz	–	5	dB
I <sub>tot</sub>	total current consumption (DC)	note 8	–	240	mA

**Notes**

- Slope straight line is defined as gain at 870 MHz against gain at 45 MHz.
- $f_p = 55.25$  MHz;  $V_p = 60$  dBmV;  
 $f_q = 493.25$  MHz;  $V_q = 60$  dBmV;  
measured at  $f_p + f_q = 548.5$  MHz.
- $f_p = 55.25$  MHz;  $V_p = 60$  dBmV;  
 $f_q = 691.25$  MHz;  $V_q = 60$  dBmV;  
measured at  $f_p + f_q = 746.5$  MHz.
- $f_p = 55.25$  MHz;  $V_p = 60$  dBmV;  
 $f_q = 805.25$  MHz;  $V_q = 60$  dBmV;  
measured at  $f_p + f_q = 860.5$  MHz.
- Measured according to DIN45004B:  
 $f_p = 540.25$  MHz;  $V_p = V_o$ ;  
 $f_q = 547.25$  MHz;  $V_q = V_o - 6$  dB;  
 $f_r = 549.25$  MHz;  $V_r = V_o - 6$  dB;  
measured at  $f_p + f_q - f_r = 538.25$  MHz.
- Measured according to DIN45004B:  
 $f_p = 740.25$  MHz;  $V_p = V_o$ ;  
 $f_q = 747.25$  MHz;  $V_q = V_o - 6$  dB;  
 $f_r = 749.25$  MHz;  $V_r = V_o - 6$  dB;  
measured at  $f_p + f_q - f_r = 738.25$  MHz.
- Measured according to DIN45004B:  
 $f_p = 851.25$  MHz;  $V_p = V_o$ ;  
 $f_q = 858.25$  MHz;  $V_q = V_o - 6$  dB;  
 $f_r = 860.25$  MHz;  $V_r = V_o - 6$  dB;  
measured at  $f_p + f_q - f_r = 849.25$  MHz.
- The module normally operates at  $V_B = 24$  V, but is able to withstand supply transients up to 30 V.

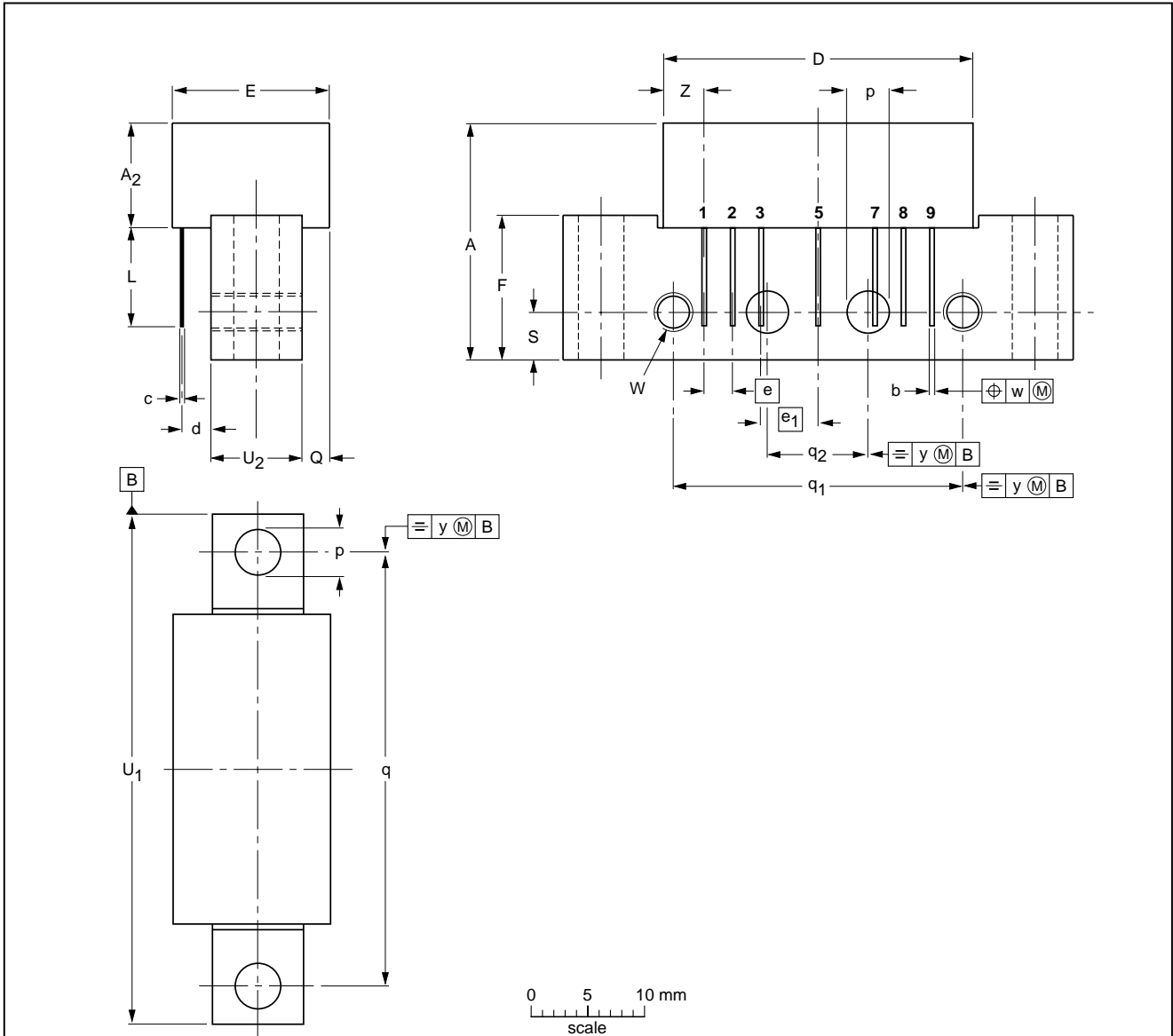
870 MHz, 21.5 dB gain push-pull amplifier

CGY887

PACKAGE OUTLINE

Rectangular single-ended package; aluminium flange; 2 vertical mounting holes; 2 x 6-32 UNC and 2 extra horizontal mounting holes; 7 gold-plated in-line leads

SOT115J



DIMENSIONS (mm are the original dimensions)

UNIT	A max.	A <sub>2</sub> max.	b	c	D max.	d max.	E max.	e	e <sub>1</sub>	F	L min.	p	Q max.	q	q <sub>1</sub>	q <sub>2</sub>	S	U <sub>1</sub> max.	U <sub>2</sub>	W	w	y	Z max.
mm	20.8	9.1	0.51 0.38	0.25	27.2	2.54	13.75	2.54	5.08	12.7	8.8	4.15 3.85	2.4	38.1	25.4	10.2	4.2	44.75	8	6-32 UNC	0.25	0.1	3.8

OUTLINE VERSION	REFERENCES				EUROPEAN PROJECTION	ISSUE DATE
	IEC	JEDEC	EIAJ			
SOT115J						99-02-06

## 870 MHz, 21.5 dB gain push-pull amplifier

CGY887

## DATA SHEET STATUS

DATA SHEET STATUS <sup>(1)</sup>	PRODUCT STATUS <sup>(2)</sup>	DEFINITIONS
Objective data	Development	This data sheet contains data from the objective specification for product development. Philips Semiconductors reserves the right to change the specification in any manner without notice.
Preliminary data	Qualification	This data sheet contains data from the preliminary specification. Supplementary data will be published at a later date. Philips Semiconductors reserves the right to change the specification without notice, in order to improve the design and supply the best possible product.
Product data	Production	This data sheet contains data from the product specification. Philips Semiconductors reserves the right to make changes at any time in order to improve the design, manufacturing and supply. Changes will be communicated according to the Customer Product/Process Change Notification (CPCN) procedure SNW-SQ-650A.

## Notes

1. Please consult the most recently issued data sheet before initiating or completing a design.
2. The product status of the device(s) described in this data sheet may have changed since this data sheet was published. The latest information is available on the Internet at URL <http://www.semiconductors.philips.com>.

## DEFINITIONS

**Short-form specification** — The data in a short-form specification is extracted from a full data sheet with the same type number and title. For detailed information see the relevant data sheet or data handbook.

**Limiting values definition** — Limiting values given are in accordance with the Absolute Maximum Rating System (IEC 60134). Stress above one or more of the limiting values may cause permanent damage to the device. These are stress ratings only and operation of the device at these or at any other conditions above those given in the Characteristics sections of the specification is not implied. Exposure to limiting values for extended periods may affect device reliability.

**Application information** — Applications that are described herein for any of these products are for illustrative purposes only. Philips Semiconductors make no representation or warranty that such applications will be suitable for the specified use without further testing or modification.

## DISCLAIMERS

**Life support applications** — These products are not designed for use in life support appliances, devices, or systems where malfunction of these products can reasonably be expected to result in personal injury. Philips Semiconductors customers using or selling these products for use in such applications do so at their own risk and agree to fully indemnify Philips Semiconductors for any damages resulting from such application.

**Right to make changes** — Philips Semiconductors reserves the right to make changes, without notice, in the products, including circuits, standard cells, and/or software, described or contained herein in order to improve design and/or performance. Philips Semiconductors assumes no responsibility or liability for the use of any of these products, conveys no licence or title under any patent, copyright, or mask work right to these products, and makes no representations or warranties that these products are free from patent, copyright, or mask work right infringement, unless otherwise specified.

## CAUTION

This product is supplied in anti-static packing to prevent damage caused by electrostatic discharge during transport and handling. For further information, refer to Philips specs.: SNW-EQ-608, SNW-FQ-302A, and SNW-FQ-302B.

870 MHz, 21.5 dB gain push-pull amplifier

CGY887

---

**NOTES**

# *Philips Semiconductors – a worldwide company*

## **Contact information**

For additional information please visit <http://www.semiconductors.philips.com>. Fax: +31 40 27 24825

For sales offices addresses send e-mail to: [sales.addresses@www.semiconductors.philips.com](mailto:sales.addresses@www.semiconductors.philips.com).

© Koninklijke Philips Electronics N.V. 2002

SCA74

All rights are reserved. Reproduction in whole or in part is prohibited without the prior written consent of the copyright owner.

The information presented in this document does not form part of any quotation or contract, is believed to be accurate and reliable and may be changed without notice. No liability will be accepted by the publisher for any consequence of its use. Publication thereof does not convey nor imply any license under patent- or other industrial or intellectual property rights.

Printed in The Netherlands

613518/02/pp8

Date of release: 2002 Jun 27

Document order number: 9397 750 09935

*Let's make things better.*

**Philips  
Semiconductors**



**PHILIPS**