

Characteristics

C_N	Δ	3x 27,9 μ F	+10/-5 %
U_N		AC 690 V	
f_N		50 Hz	60 Hz
Q_N		12,5 kvar	15 kvar
I_N		3x 11 A	13 A
$\tan \delta_0$		0,2 W/kvar (dielectric)	

Maximum ratings

U_{max}	AC 760 V, 8 h daily
	AC 900 V, 1 min
$I_r(40)$	3x 40 A ($\Theta_A = 60^\circ\text{C}$, U_N)
I_s	4800 A
$(du/dt)_{max}$	40 V/ μ s
$(du/dt)_s$	100 V/ μ s

Test data

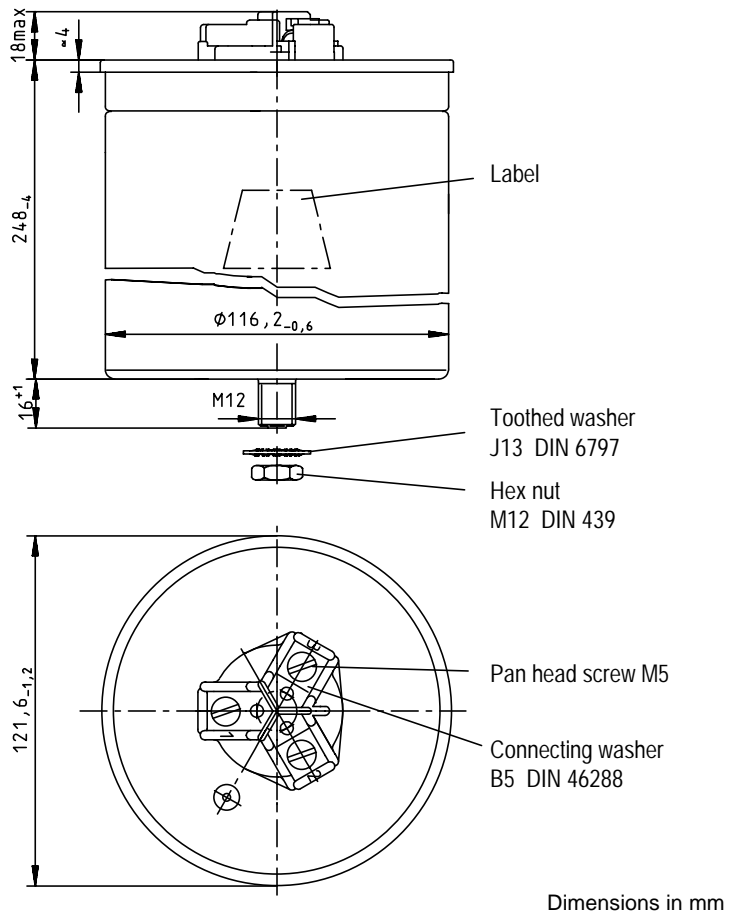
U_{TT}	AC 1500 V, 10 s
U_{TC}	AC 6000 V, 10 s
$\tan \delta$ (50 Hz)	$\leq 0,5$ W/kvar (total)

Climatic category

Θ_{min}	-25 $^\circ\text{C}$
Θ_{max}	+70 $^\circ\text{C}$
Humidity	Max. relative Humidity ≤ 95 %
Θ_{stg}	-40 bis +70 $^\circ\text{C}$

Life expectancy

t_{LD}	100 000 h
----------	-----------



Design data

Dimensions $\Phi \times l$	121,6 x 248 mm (4,79 x 9,76 in)
Approx. weight	3,1 kg (6,8 lb)
Impregnation	Oil
Fixing	Threaded bolt M12
Mounting hole	14 mm (0,55 in)
Max. torque	10 Nm
Terminals	Screw clamps
Terminal cross section	6 mm 2 (9 AWG)
Creepage distance	12,7 mm (0,50 in)
Clearance	9,6 mm (0,38 in)
Overpressure disconnecter	