



## Capacitors for Power Factor Correction

**Series/Type:**        **MKK480-D-7.5-01**

The following products presented in this data sheet are being withdrawn.

Ordering Code	Substitute Product	Date of Withdrawal	Deadline Last Orders	Last Shipments
B25667A4107A375	B25667A4117A365	2004-07-30		

For further information please contact your nearest EPCOS sales office, which will also support you in selecting a suitable substitute. The addresses of our worldwide sales network are presented at [www.epcos.com/sales](http://www.epcos.com/sales).

**Characteristics**

$C_N$	$\Delta$	3x 34,6 $\mu$ F $\pm$ 5 %	
$U_N$		AC 480 V	
$f_N$		50 Hz	60 Hz
$Q_N$		7,5 kvar	9 kvar
$I_N$		3x 9 A	10,8 A
$\tan \delta_0$		0,2 W/kvar (dielectric)	

**Maximum ratings**

$U_{max}$	AC 530 V, 8 h daily
	AC 620 V, 1 min
$I_{r(40)}$	3x 20 A ( $\Theta_A = 40^\circ\text{C}$ , $U_N$ )
$I_s$	2400 A
$(du/dt)_{max}$	16 V/ $\mu$ s
$(du/dt)_s$	40 V/ $\mu$ s

**Test data**

$U_{TT}$	AC 1050 V, 10 s
$U_{TC}$	AC 3000 V, 10 s
$\tan \delta$ (50 Hz)	$\leq$ 0,5 W/kvar (total)

**Climatic category -40/D**

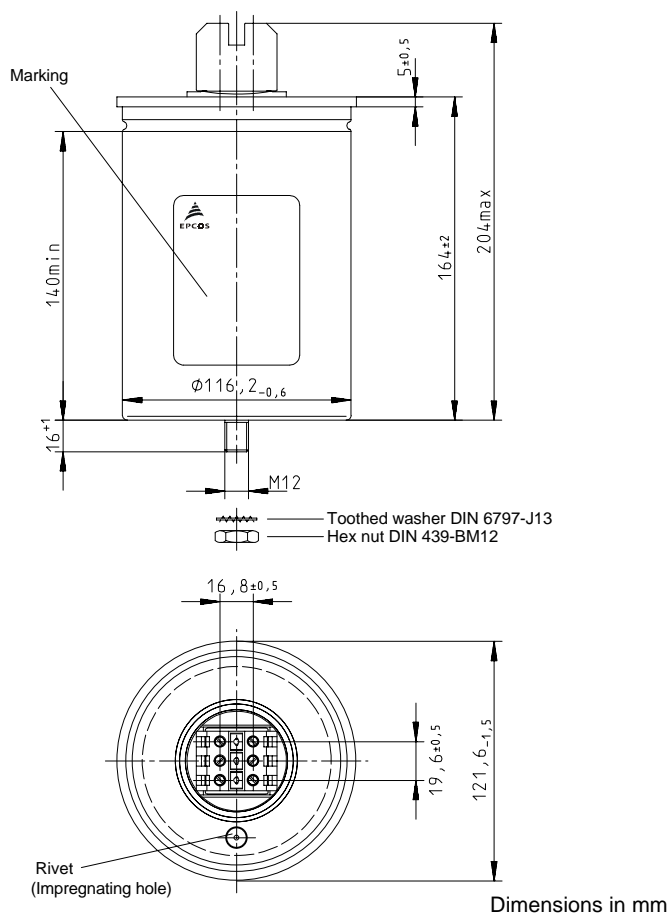
$\Theta_{min}$	-40 °C
$\Theta_{max}$	+55 °C
Humidity	Max. relative Humidity $\leq$ 95 %
$\Theta_{stg}$	-55 bis +70 °C

**Life expectancy**

$t_{LD}$	100 000 h
----------	-----------

**Remarks**

Natural cooling



**Design data**

Dimensions $\varnothing$ x l	121,6 x 164 mm (4,79 x 6,46 in)
Approx. weight	1,2 kg (2,6 lb)
Impregnation	Gas
Fixing	Threaded bolt M12
Mounting hole	14 mm (0,55 in)
Max. torque	10 Nm
Terminals	Isolated terminal, IP20
Max. torque	1,2 Nm
Terminal cross section	16 mm <sup>2</sup> (5 AWG)
Creepage distance	12,7 mm (0,50 in)
Clearance	9,6 mm (0,38 in)
Overpressure disconnecter	
Any mounting position possible	