

**Integrated CO VDSL Filter/Hybrid Solution -
(Smartphone Applications)
APC77118**

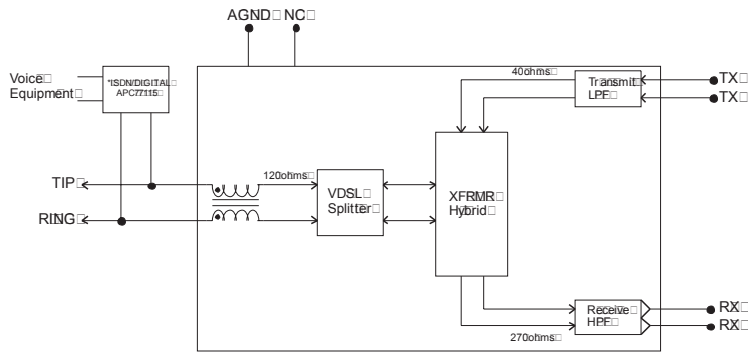


ELECTRICAL SPECIFICATIONS @ 25°C

Description	Passband Frequency	Insertion Loss max	Return Loss min	Stopband Frequency	Attenuation min	Impedance
*VDSL Splitter/Hybrid	900 kHz to 7.9 MHz	0.8 dB	10 dB	20 kHz to 600 kHz 600kHz to 700 kHz	50 dB 25 dB	120 ohms
Receive HPF	4.0 MHz to 7.9 MHz	0.8 dB	12 dB	900 kHz to 3.3 MHz	35 dB	270 ohms
Transmit LPF	900 kHz to 3.3 MHz	0.8 dB	10 dB	4.0 MHz to 7.9 MHz	15 dB	40 ohms

NOTES: *TRANSYBRID LOSS THROUGH VDSL SPLITTER/HYBRID IS > 15dB MIN
PROVIDES 1500VRMS ISOLATION VOLTAGE. INCORPORATES XDSL CHOKE > 35dB MIN

SCHEMATIC



*PLEASE REFER TO APC77115 DATASHEET FOR APPLICATION NOTES ON ISDN/DIGITAL SPLITTER.

MECHANICAL

Device pinout

PIN	ALLOCATION
1	SHIELD/GND
2	SHIELD/GND
3	Tx-
4	Tx+
5	Rx+
6	Rx-
7	LINE
8	LINE

NOTES: ALL TOLERANCES +/- 0.010
0.25