

## ■ General Description

The AME8750 dual, low dropout, linear regulators operate from Higher  $V_{OUT} + V_{DROPOUT}$  to 5.5V input and deliver up to 150mA / 150mA output current each. It has a bypass pin option allows users to decouple the bandgap reference for reducing the output noise. Low dropout voltage and low quiescent current(70 $\mu$ A typ.)make them ideal for battery applications.

The AME8750 is available with a wide variety of voltage options as standard and can be trimmed to 1.5% accuracy.

For protection purpose, AME8750 has both thermal shutdown and current fold-back to prevent device failure under the "worst" of operating conditions.

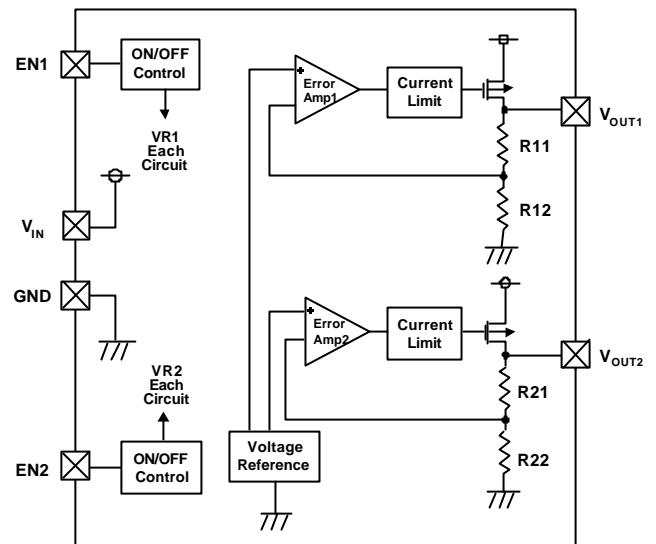
## ■ Features

- Very Low Dropout Voltage
- Guaranteed 150mA / 150mA Each Output
- Accurate to Within 1.5% For Both Outputs
- Typical 70  $\mu$ A Quiescent Current
- Over-Temperature Shutdown
- Current Limiting
- Short Circuit Current Fold-back
- Noise Reduction Bypass Cap
- Power-Saving Shutdown Mode
- All AME's Lead Free Product Meet RoHS Standards

## ■ Applications

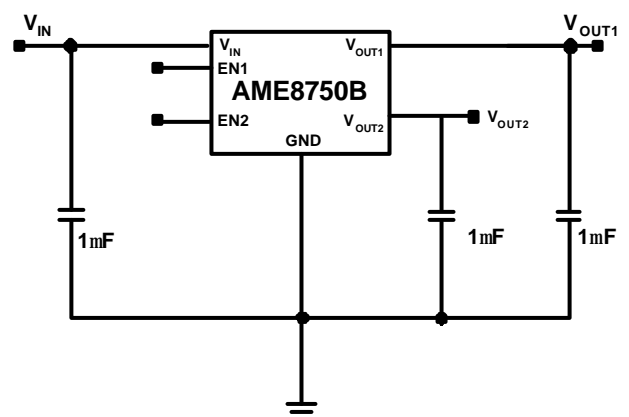
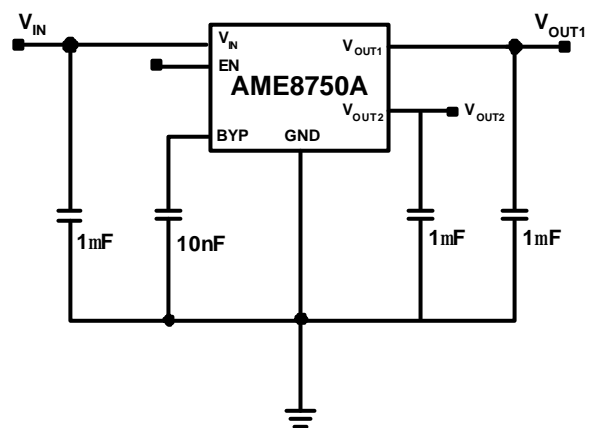
- Cellular Phones
- Palm / Notebook
- Battery Power Equipment
- Handheld Instruments

## ■ Functional Block Diagram



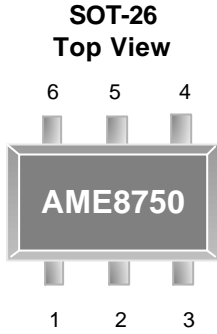
## ■ Typical Applications

Fixed Version





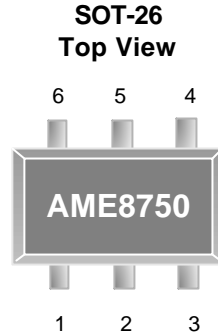
Pin Configuration



AME 8750AEEY

1.  $V_{OUT2}$
2. GND
3. BYP
4. EN
5.  $V_{IN}$
6.  $V_{OUT1}$

\* Die Attach:  
Conductive Epoxy



AME 8750BEEY

1.  $V_{OUT2}$
2. GND
3. EN1
4. EN2
5.  $V_{IN}$
6.  $V_{OUT1}$

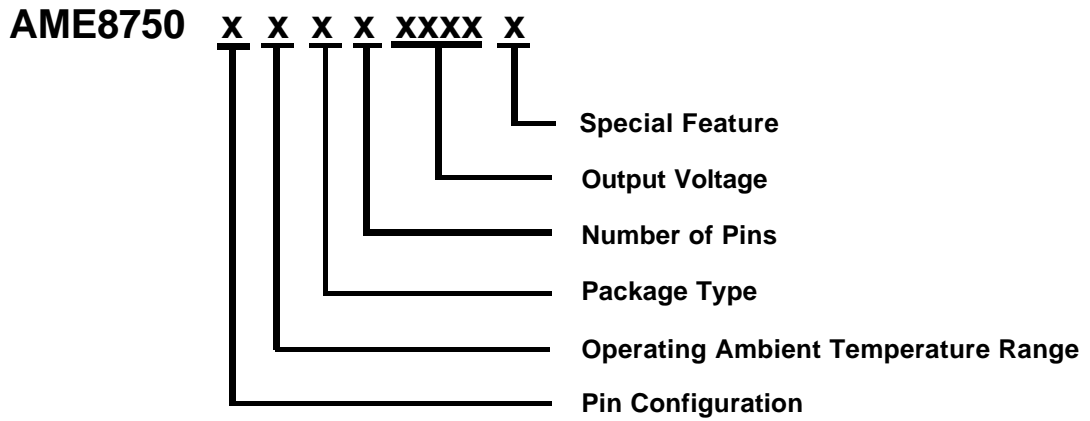
\* Die Attach:  
Conductive Epoxy

Pin Description

| Pin Number |          | Pin Name   | Description  |
|------------|----------|------------|--|
| AME8750A   | AME8750B |            |  |
| 1          | 1        | $V_{OUT2}$ | Regulator 2 Output. Sources up to 150mA continuous current. Bypass with a 1 $\mu$ F (< 0.5 $\Omega$ typ ESR) capacitor to GND.   |
| 2          | 2        | GND        | Ground. This pin also functions as heatsink. Solder to a large pad or the circuit-board ground plane to maximize thermal dissipation.  |
| 3          | N/A      | BYP        | Reference Noise Bypass. Bypass with a low leakage 10nF ceramic capacitor for reduced noise at both outputs.  |
| N/A        | 3        | EN1        | Shutdown 1 Input. A logic low shuts down regulator 1. If EN1 and EN2 are both low, both regulators and the reference turn off. If either EN1 and EN2 is a logic high, the reference is on. Connect to $V_{IN}$ for normal operation. |
| 4          | N/A      | EN         | Shutdown Input. A logic low shuts down both regulators. Connect to $V_{IN}$ for normal operation.  |
| N/A        | 4        | EN2        | Shutdown 2 Input. A logic low shuts down regulator 2. If EN1 and EN2 are both low, both regulators and the reference turn off. If either EN1 and EN2 is a logic high, the reference is on. Connect to $V_{IN}$ for normal operation. |
| 5          | 5        | $V_{IN}$   | Regulator Input. Supply voltage can range from Higher $V_{OUT}+V_{DROPOUT}$ to 5.5V. This input also supplies the on-chip reference. Bypass with 1 $\mu$ F to GND.   |
| 6          | 6        | $V_{OUT1}$ | Regulator 1 Output. Sources up to 150mA continuous current. Bypass with a 1 $\mu$ F (< 0.5 $\Omega$ typ ESR) capacitor to GND.   |



■ Ordering Information (contd.)



| Pin Configuration  | Operating Ambient Temperature Range | Package Type | Number of Pins | Output Voltage (Both LDOs)  | Special Feature   |
|--|-------------------------------------|--------------|----------------|---|---|
| <p>A</p> <p>(SOT-26)</p> <p>1. V<sub>OUT2</sub><br/>2. GND<br/>3. BYP<br/>4. EN<br/>5. V<sub>IN</sub><br/>6. V<sub>OUT1</sub></p> <p>B</p> <p>(SOT-26)</p> <p>1. V<sub>OUT2</sub><br/>2. GND<br/>3. EN2<br/>4. EN1<br/>5. V<sub>IN</sub><br/>6. V<sub>OUT1</sub></p> | E: -40°C to +85°C                   | E: SOT-2X    | Y: 6           | <p>1825: V<sub>OUT1</sub>=1.8V<br/>V<sub>OUT2</sub>=2.5V</p> <p>1828: V<sub>OUT1</sub>=1.8V<br/>V<sub>OUT2</sub>=2.8V</p> | <p>Y: Lead free &amp; Low profile</p> <p>Z: Lead free</p> |



■ Ordering Information

| Part Number      | Marking* | Output Voltage                                     | Package | Operating Ambient Temperature Range |
|------------------|----------|--|---------|-------------------------------------|
| AME8750AEEY1828Z | BCKww    | V <sub>OUT1</sub> =1.8V<br>V <sub>OUT2</sub> =2.8V | SOT-26  | - 40°C to + 85°C                    |
| AME8750AEEY1828Y | BCKww    | V <sub>OUT1</sub> =1.8V<br>V <sub>OUT2</sub> =2.8V | TSOT-26 | - 40°C to + 85°C                    |
| AME8750BEEY1828Z | BCJww    | V <sub>OUT1</sub> =1.8V<br>V <sub>OUT2</sub> =2.8V | SOT-26  | - 40°C to + 85°C                    |
| AME8750BEEY1828Y | BCJww    | V <sub>OUT1</sub> =1.8V<br>V <sub>OUT2</sub> =2.8V | TSOT-26 | - 40°C to + 85°C                    |
| AME8750BEEY1825Z | BBHww    | V <sub>OUT1</sub> =1.8V<br>V <sub>OUT2</sub> =2.5V | SOT-26  | - 40°C to + 85°C                    |
| AME8750BEEY1825Y | BBHww    | V <sub>OUT1</sub> =1.8V<br>V <sub>OUT2</sub> =2.5V | TSOT-26 | - 40°C to + 85°C                    |

Note:ww represents date code and pls refer to Date Code Rule before Package Dimension.

\* A line on top of the first letter represents lead free plating such as BCKww.

Please consult AME sales office or authorized Rep./Distributor for voltage accuracy and package type availability.

**■ Absolute Maximum Ratings**

| Parameter          | Maximum                           | Unit |
|--------------------|-----------------------------------|------|
| Input Voltage      | 6                                 | V    |
| Output Current     | $P_D/2V_{IN}-(V_{OUT1}+V_{OUT2})$ | mA   |
| Output Voltage     | GND-0.3 to $V_{IN}+0.3$           | V    |
| ESD Classification | B*                                |      |

Caution: Stress above the listed absolute maximum rating may cause permanent damage to the device.

\* HBM B: 2000V~3999V

**■ Recommended Operating Conditions**

| Parameter                  | Symbol | Rating      | Unit |
|----------------------------|--------|-------------|------|
| Ambient Temperature Range  | $T_A$  | -40 to +85  | °C   |
| Junction Temperature Range | $T_J$  | -40 to +125 | °C   |

**■ Thermal Information**

| Parameter                                   | Package | Die Attach       | Symbol        | Maximum | Unit   |
|---|---------|------------------|---------------|---------|--------|
| Thermal Resistance*<br>(Junction to Case)   | SOT-26  | Conductive Epoxy | $\theta_{JC}$ | 81      | °C / W |
| Thermal Resistance<br>(Junction to Ambient) |         |                  | $\theta_{JA}$ | 260     |        |
| Internal Power Dissipation                  |         |                  | $P_D$         | 400     | mW     |
| Maximum Junction Temperature                |         |                  |               | 150     | °C     |
| Solder Iron (10 Sec)**                      |         |                  |               | 350     | °C     |

\* Measure  $\theta_{JC}$  on center of molding compound if IC has no tab.

\*\* MIL-STD-202G 210F



**Electrical Specifications**

Unless specified:  $T_J=25^{\circ}\text{C}$ ,  $V_{IN}=\text{Higher } V_{OUT}+1\text{V}$ ,  $I_{OUT1}=I_{OUT2}=1\text{mA}$ ,  $C_{IN}=C_{OUT}=1.0\mu\text{F}$ ,  $V_{EN1}=V_{EN2}=V_{IN}$   
 Typical values are at  $T_J=25^{\circ}\text{C}$

| Parameter                          | Symbol       | Test Condition   | Min   | Typ    | Max       | Units         |                         |
|------------------------------------|--------------|--|---|--------|-----------|---------------|-------------------------|
| <b>IN</b>                          |              |  |   |        |           |               |                         |
| Input Supply Voltage               | $V_{IN}$     |  | Note1   |        | 5.5       | V             |                         |
| Quiescent Current                  | $I_Q$        |  |   | 70     | 160       | $\mu\text{A}$ |                         |
| <b>OUT1, OUT2</b>                  |              |  |   |        |           |               |                         |
| Output Voltage                     | $V_O$        | $I_{OUT}=1\text{mA}$   |   | -1.5   | $V_{OUT}$ | 1.5           |                         |
|                                    |              | $0\text{mA}<I_{OUT}\leq 150\text{mA}$<br>$V_{OUT}+1\text{V}<V_{IN}<5.5\text{V}$              | $T_J=-40^{\circ}\text{C to }+125^{\circ}\text{C}$ | -2     |           | 2             | %                       |
| Line Regulation                    | $REG_{LINE}$ | $V_{OUT}+1\text{V}<V_{IN}<5.5\text{V}$ ,<br>$I_{OUT}=1\text{mA}$                             | $T_J=25^{\circ}\text{C}$                          | -0.2   |           | 0.2           |                         |
|                                    |              |  | $T_J=-40^{\circ}\text{C to }+125^{\circ}\text{C}$ | -0.25  |           | 0.25          | %/V                     |
| Load Regulation                    | $REG_{LOAD}$ | $1\text{mA}<I_{OUT}$   | $T_J=-40^{\circ}\text{C to }+125^{\circ}\text{C}$ | -0.005 | +0.0025   | 0.005         | %/mA                    |
| Dropout Voltage                    | $V_{DROP}$   | $I_{OUT1}=I_{OUT2}=150\text{mA}$<br>$(V_O=V_{O(NOM)}-2\%)$ ,<br>$V_{O(NOM)}<2.5\text{V}$     | $T_J=-40^{\circ}\text{C to }+125^{\circ}\text{C}$ |        |           | 350           | mV                      |
|                                    |              | $I_{OUT1}=I_{OUT2}=150\text{mA}$<br>$(V_O=V_{O(NOM)}-2\%)$ ,<br>$V_{O(NOM)}\geq 2.5\text{V}$ |   |        |           | 300           | mV                      |
| Current Limit                      | $I_{LIM}$    |  |   | 180    |           | 600           | mA                      |
| Short Circuit Current              | $I_{SC}$     |  |   |        | 200       | 350           |                         |
| Ripple Rejection                   | PSRR         | $f=100\text{Hz}$ , $C_{BYP}=10\text{nF}$ , $I_{OUT}=1\text{mA}$                              |   |        |           | 55            | dB                      |
|                                    |              | $f=1\text{kHz}$ , $C_{BYP}=10\text{nF}$ , $I_{OUT}=1\text{mA}$                               |   |        |           | 55            |                         |
|                                    |              | $f=10\text{kHz}$ , $C_{BYP}=10\text{nF}$ , $I_{OUT}=1\text{mA}$                              |   |        |           | 48            |                         |
| Output Voltage Noise               | $e_n$        | $f=1\text{kHz to }100\text{kHz}$<br>$C_{BYP}=10\text{nF}$ , $C_{OUT}=1\mu\text{F}$           |   |        |           | 550           | $\mu\text{VRMS}$        |
|                                    |              | $f=1\text{kHz to }100\text{kHz}$<br>$C_{BYP}=10\text{nF}$ , $C_{OUT}=1\mu\text{F}$           |   |        |           | 5.5           | $\mu\text{V}/\text{Hz}$ |
| <b>EN1, EN2</b>                    |              |  |   |        |           |               |                         |
| Enable Input Threshold             | $V_{EH}$     | $V_{IN}=2.4\text{V to }5.5\text{V}$  | $T_J=-40^{\circ}\text{C to }+125^{\circ}\text{C}$ | 2.4    |           |               | V                       |
|                                    | $V_{EL}$     | $V_{IN}=2.4\text{V to }5.5\text{V}$  |   |        |           | 0.4           | V                       |
| EN Input Bias Current              | $I_{EL}$     | $V_{IN}=5.0\text{V}$   | $EN=0\text{V}$                                    | -1     | 0.5       | 1             | $\mu\text{A}$           |
|                                    | $I_{EH}$     |  | $EN=5\text{V}$                                    |        |           |               |                         |
| Shutdown Current                   | $I_{SHDN}$   | $V_{IN}=5.0\text{V}$ , $EN1=EN2=0\text{V}$   |   |        | 0.3       | 1             |                         |
| <b>BYP</b>                         |              |  |   |        |           |               |                         |
| Start-Up Rise Time                 |              | $C_{BYP}=10\text{nF}$  |   |        | 1.25      |               | ms                      |
| <b>Over Temperature Protection</b> |              |  |   |        |           |               |                         |
| Over Temperature Shutdown          | OTS          |  |   |        | 150       |               | $^{\circ}\text{C}$      |
| Over Temperature Hysteresis        | OTH          |  |   |        | 20        |               | $^{\circ}\text{C}$      |

Note1:  $V_{IN(min)}=\text{Higher } V_{OUT}+V_{Dropout}$

## ■ Detailed Description

The AME8750 is low-dropout, low quiescent-current linear regulator designed primarily for battery-powered applications. These parts are available with preset output voltage ranging from 1.8V to 3.3V, and the parts can supply loads up to 150mA.

### Shutdown

#### AME8750A

The AME8750A has a single shutdown control input (EN). Drive EN low to shut down both outputs, reducing supply current to 0.3 $\mu$ A. Connect EN to a logic-high, or IN, for normal operation.

#### AME8750B

The AME8750B has independent shutdown control inputs (EN1 and EN2). Drive EN1 low to shutdown  $V_{OUT1}$ . Drive EN2 low to shut down  $V_{OUT2}$ . Drive both EN1 and EN2 low to shut down the entire chip, reducing supply current to 0.3mA. Connect both EN1 and EN2 to a logic-high, or IN, for normal operation.

### Internal P-Channel Pass Transistor

The AME8750A/AME8750B feature two 1 $\Omega$  P-Channel MOSFET pass transistors. A P-Channel MOSFET provides several advantages over similar designs using PNP pass transistors, including longer battery life. It requires no base drive, which reduces quiescent current significantly. The AME8750A/AME8750B only consume 70 $\mu$ A of quiescent current whether in dropout, light-load, or heavy-load applications.

### Current Limit

The AME8750A/8750B contain two independent current limiters, one for each regulator, which monitor and control the pass transistor's gate voltage, limiting the guaranteed maximum output current to 150mA minimum. The output can be shorted to ground for an indefinite time without damaging the part.

### Thermal-Overload Protection

Thermal-overload protection limits total power dissipation in the AME8750A/AME8750B. When the junction temperature exceeds  $T_J=150^{\circ}\text{C}$ , the thermal sensor signals the shutdown logic, turning off the pass transistor and allowing the IC to cool.

## ■ Application Information

### Capacitor Selection and Regulator Stability

Use a 1 $\mu$ F capacitor on the AME8750A/ AME8750B input and a 1 $\mu$ F capacitor on the outputs. Larger input capacitor values and lower ESRs provide better supply noise rejection and line transient response.

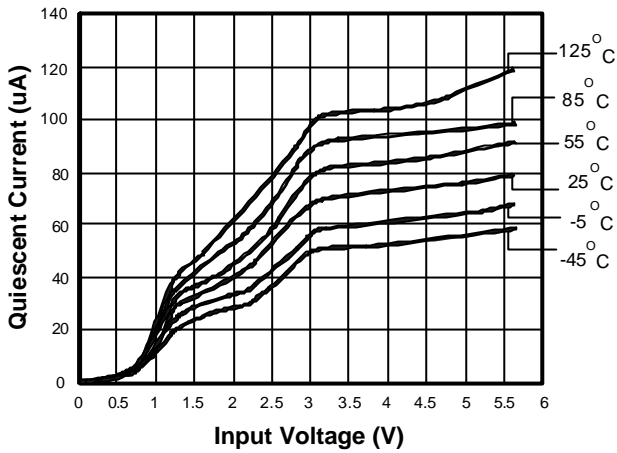
### PSRR and Operation from Sources Other than Batteries

The AME8750A/AME8750B are designed to deliver low dropout voltages and low quiescent currents in battery-powered systems. Power-supply rejection is 54dB at low frequencies.

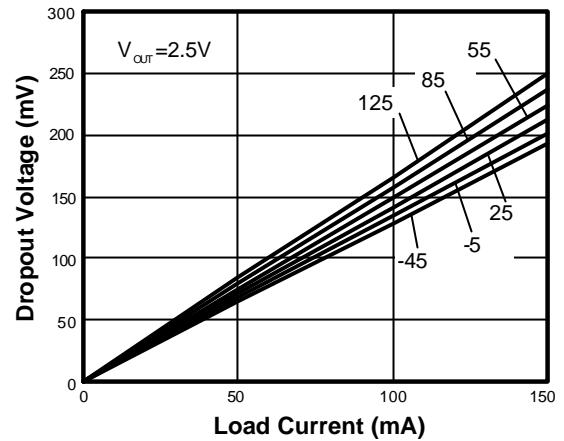
(See the PSRR vs. Frequency graph)



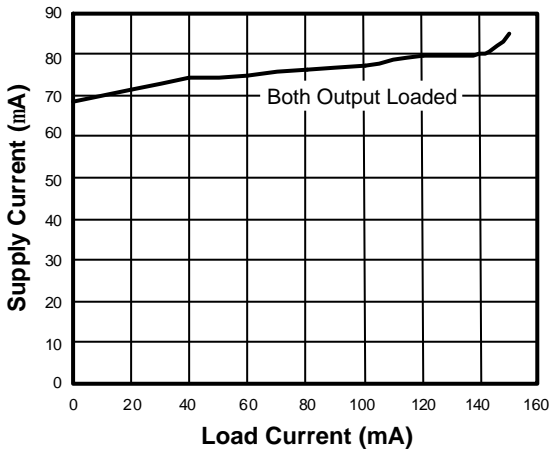
Quiescent Current vs Input Voltage



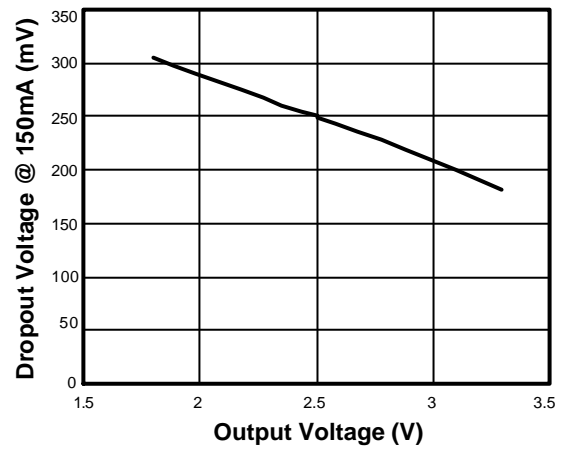
Dropout Voltage vs Load Current



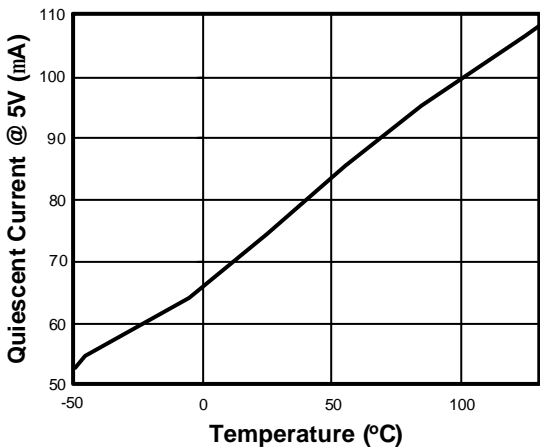
Supply Current vs. Load current



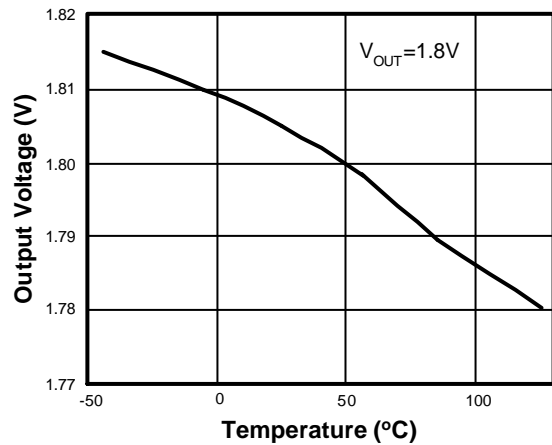
Dropout Voltage vs Output Voltage



Quiescent Current vs Temperature



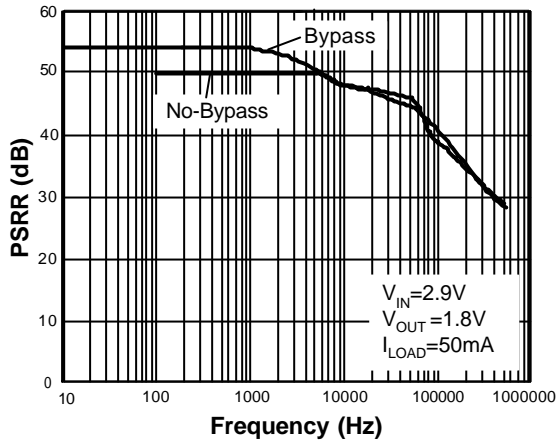
Output Voltage vs Temperature



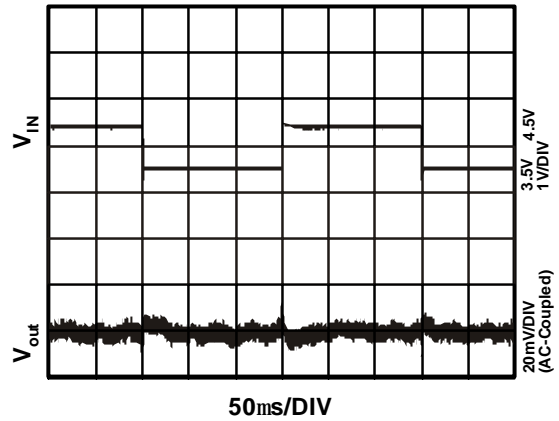




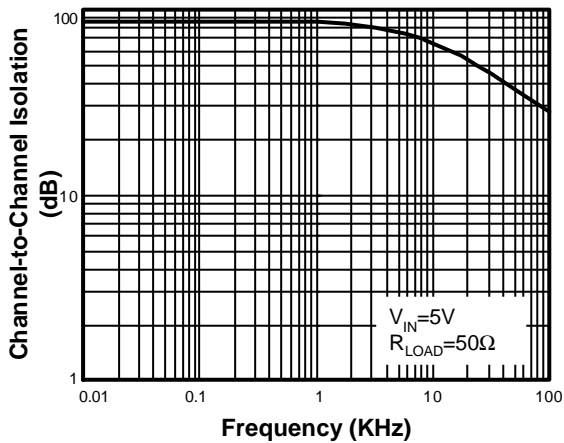
PSRR vs. Frequency



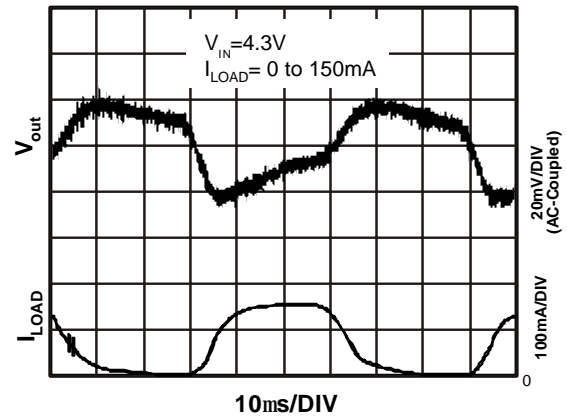
Line Transient



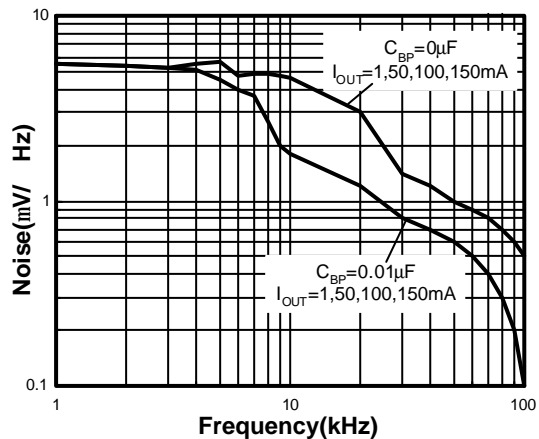
Channel-to-Channel Isolation vs Frequency



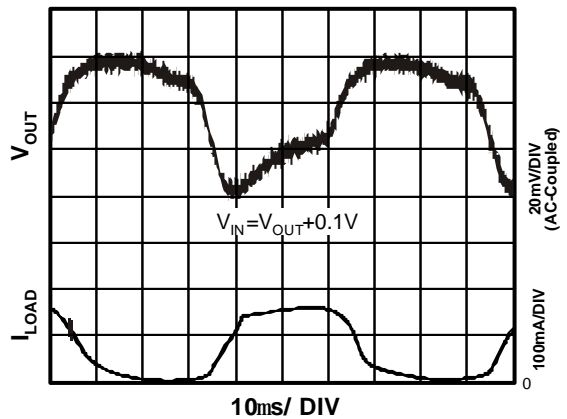
Load Transient



Output Noise Spectral Density

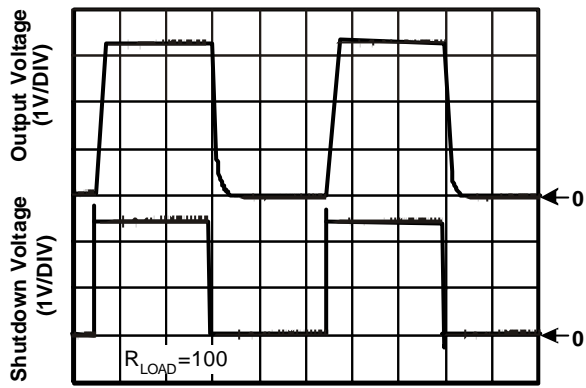


Load Transient Near Dropout





Shutdown Response



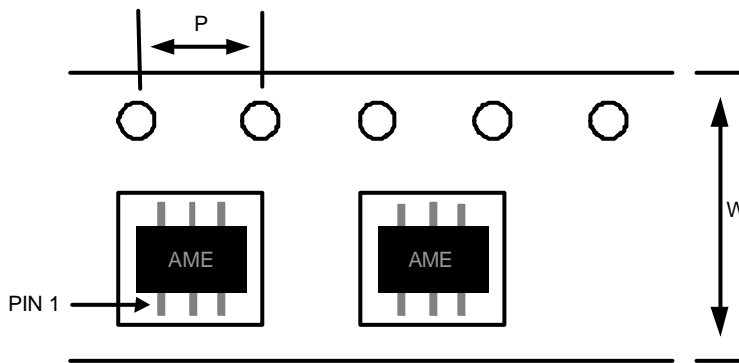


■ Date Code Rule

| Marking |          |          | Date Code |          | Year |
|---------|----------|----------|-----------|----------|------|
| A       | A        | A        | W         | W        | xxx0 |
| A       | A        | A        | W         | <u>W</u> | xxx1 |
| A       | A        | A        | <u>W</u>  | W        | xxx2 |
| A       | A        | A        | <u>W</u>  | <u>W</u> | xxx3 |
| A       | A        | <u>A</u> | W         | W        | xxx4 |
| A       | A        | <u>A</u> | W         | <u>W</u> | xxx5 |
| A       | A        | <u>A</u> | <u>W</u>  | W        | xxx6 |
| A       | A        | <u>A</u> | <u>W</u>  | <u>W</u> | xxx7 |
| A       | <u>A</u> | A        | W         | W        | xxx8 |
| A       | <u>A</u> | A        | W         | <u>W</u> | xxx9 |

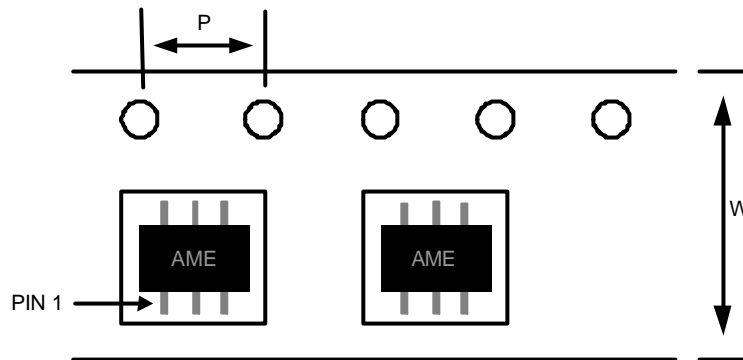
■ Tape & Reel Dimension

SOT-26



Carrier Tape, Number of Components Per Reel and Reel Size

| Package | Carrier Width (W) | Pitch (P)  | Part Per Full Reel | Reel Size |
|---------|-------------------|------------|--------------------|-----------|
| SOT-26  | 8.0±0.1 mm        | 4.0±0.1 mm | 3000pcs            | 180±1 mm  |

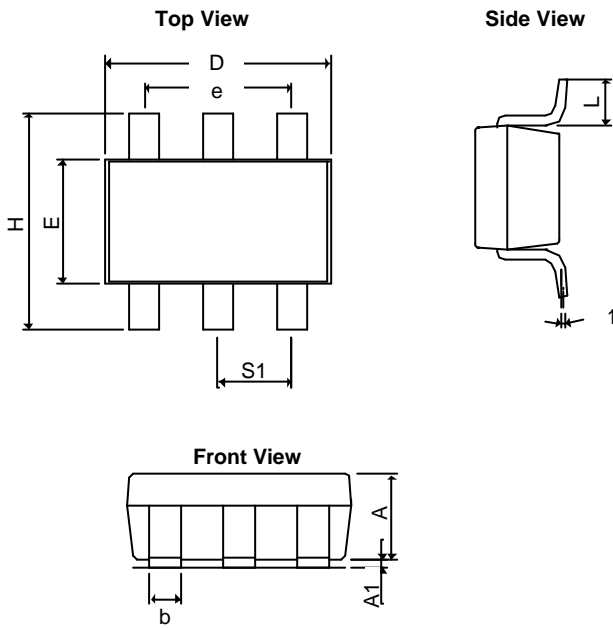
**■ Tape & Reel Dimension**
**TSOT-26**

**Carrier Tape, Number of Components Per Reel and Reel Size**

| Package | Carrier Width (W) | Pitch (P)  | Part Per Full Reel | Reel Size |
|---------|-------------------|------------|--------------------|-----------|
| TSOT-26 | 8.0±0.1 mm        | 4.0±0.1 mm | 3000pcs            | 180±1 mm  |



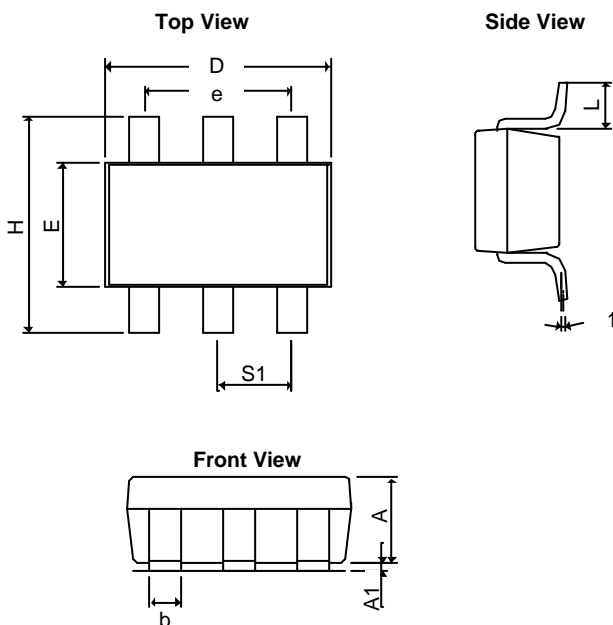
■ Package Dimension

SOT-26



| SYMBOLS              | MILLIMETERS |      | INCHES     |         |
|----------------------|-------------|------|------------|---------|
|                      | MIN         | MAX  | MIN        | MAX     |
| <b>A</b>             | 1.20REF     |      | 0.0472REF  |         |
| <b>A<sub>1</sub></b> | 0.00        | 0.15 | 0.0000     | 0.0059  |
| <b>b</b>             | 0.30        | 0.55 | 0.0118     | 0.0217  |
| <b>D</b>             | 2.70        | 3.10 | 0.1063     | 0.1220  |
| <b>E</b>             | 1.40        | 1.80 | 0.0551     | 0.0709  |
| <b>e</b>             | 1.90 BSC    |      | 0.0748 BSC |         |
| <b>H</b>             | 2.60        | 3.00 | 0.10236    | 0.11811 |
| <b>L</b>             | 0.37REF     |      | 0.0146REF  |         |
| <b>q1</b>            | 0°          | 10°  | 0°         | 10°     |
| <b>S<sub>1</sub></b> | 0.95REF     |      | 0.0374REF  |         |

TSOT-26



| SYMBOLS                | MILLIMETERS |      | INCHES      |         |
|------------------------|-------------|------|-------------|---------|
|                        | MIN         | MAX  | MIN         | MAX     |
| <b>A+A<sub>1</sub></b> | 0.90        | 1.25 | 0.0354      | 0.0492  |
| <b>b</b>               | 0.30        | 0.50 | 0.0118      | 0.0197  |
| <b>c</b>               | 0.09        | 0.25 | 0.0035      | 0.0098  |
| <b>D</b>               | 2.70        | 3.10 | 0.1063      | 0.1220  |
| <b>E</b>               | 1.40        | 1.80 | 0.0551      | 0.0709  |
| <b>e</b>               | 1.90 BSC    |      | 0.07480 BSC |         |
| <b>H</b>               | 2.40        | 3.00 | 0.09449     | 0.11811 |
| <b>L</b>               | 0.35BSC     |      | 0.0138BSC   |         |
| <b>q1</b>              | 0°          | 10°  | 0°          | 10°     |
| <b>S<sub>1</sub></b>   | 0.95BSC     |      | 0.0374BSC   |         |



**www.ame.com.tw**  
**E-Mail: sales@ame.com.tw**

Life Support Policy:

These products of AME, Inc. are not authorized for use as critical components in life-support devices or systems, without the express written approval of the president of AME, Inc.

AME, Inc. reserves the right to make changes in the circuitry and specifications of its devices and advises its customers to obtain the latest version of relevant information.

© AME, Inc. , February 2006

Document: 2075-DS8750-C.01

**Corporate Headquarter**

**AME, Inc.**

2F, 302 Rui-Guang Road, Nei-Hu District

Taipei 114, Taiwan.

Tel: 886 2 2627-8687

Fax: 886 2 2659-2989

**U.S.A. (Subsidiary)**

**Analog Microelectronics, Inc.**

3100 De La Cruz Blvd., Suite 201

Santa Clara, CA. 95054-2046

Tel : (408) 988-2388

Fax: (408) 988-2489

