

FEATURES

2Ω Max On Resistance
0.5Ω Max On Resistance Flatness
200mA continuous current per channel
33 V supply range
Fully specified at +12 V, ±15 V, ±5 V
No V_L supply required
3 V logic-compatible inputs
Rail-to-rail operation
16-lead TSSOP and 16-lead LFCSP
Typical power consumption: <0.03 μW

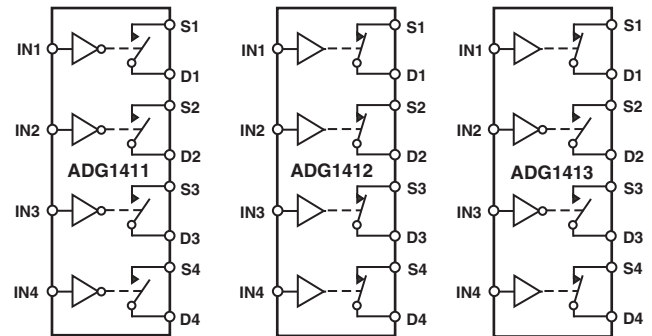
APPLICATIONS

Automatic test equipment
Data acquisition systems
Battery-powered systems
Sample-and-hold systems
Audio signal routing
Video signal routing
Communication systems
Relay Replacement

GENERAL DESCRIPTION

The ADG1411/ADG1412/ADG1413 are monolithic complementary metal-oxide semiconductor (CMOS) devices containing four independently selectable switches designed on an iCMOS process. iCMOS (industrial CMOS) is a modular manufacturing process combining high voltage CMOS and bipolar technologies. It enables the development of a wide range of high performance analog ICs capable of 33 V operation in a footprint that no previous generation of high voltage parts has been able to achieve. Unlike analog ICs using conventional CMOS processes, iCMOS components can tolerate high supply voltages while providing increased performance, dramatically lower power consumption, and reduced package size.

The on resistance profile is very flat over the full analog input range ensuring excellent linearity and low distortion when switching audio signals.

FUNCTIONAL BLOCK DIAGRAM


SWITCHES SHOWN FOR A LOGIC "1" INPUT

Figure 1.

iCMOS construction ensures ultralow power dissipation, making the parts ideally suited for portable and battery-powered instruments.

The ADG1411/ADG1412/ADG1413 contain four independent single-pole/single-throw (SPST) switches. The ADG1411 and ADG1412 differ only in that the digital control logic is inverted. The ADG1411 switches are turned on with Logic 0 on the appropriate control input, while Logic 1 is required for the ADG1412. The ADG1413 has two switches with digital control logic similar to that of the ADG1411; the logic is inverted on the other two switches. Each switch conducts equally well in both directions when on and has an input signal range that extends to the supplies. In the off condition, signal levels up to the supplies are blocked.

The ADG1413 exhibits break-before-make switching action for use in multiplexer applications. Inherent in the design is low charge injection for minimum transients when switching the digital inputs.

PRODUCT HIGHLIGHTS

1. 2Ω Max On Resistance over temperature.
2. Minimum distortion
3. 3 V logic-compatible digital inputs: V_{IH} = 2.0 V, V_{IL} = 0.8 V.
4. No V_L logic power supply required.
5. Ultralow power dissipation: <0.03 μW.
6. 16-lead TSSOP and 4 mm × 4 mm LFCSP packages.

Rev. PrE

Information furnished by Analog Devices is believed to be accurate and reliable. However, no responsibility is assumed by Analog Devices for its use, nor for any infringements of patents or other rights of third parties that may result from its use. Specifications subject to change without notice. No license is granted by implication or otherwise under any patent or patent rights of Analog Devices. Trademarks and registered trademarks are the property of their respective owners.

TABLE OF CONTENTS

Specifications.....	3	Terminology.....	9
Dual Supply	3	Typical Performance Characteristics	10
Single Supply	6	Test Circuits.....	13
Absolute Maximum Ratings.....	7	Outline Dimensions	15
ESD Caution.....	7	Ordering Guide	16
Pin Configurations and Function Descriptions	8		

REVISION HISTORY

SPECIFICATIONS

DUAL SUPPLY

$V_{DD} = 15\text{ V} \pm 10\%$, $V_{SS} = -15\text{ V} \pm 10\%$, $GND = 0\text{ V}$, unless otherwise noted.

Table 1.

	25°C	-40°C to +85°C	-40°C to +125°C		
ANALOG SWITCH					
Analog Signal Range			V_{DD} to V_{SS}	V	
On Resistance (R_{ON})	1.5	2		Ω typ	$V_S = \pm 10\text{ V}$, $I_S = -10\text{ mA}$; Figure 20
On Resistance Match Between Channels (ΔR_{ON})	0.1	0.5		Ω max	$V_{DD} = +13.5\text{ V}$, $V_{SS} = -13.5\text{ V}$
On Resistance Flatness ($R_{FLAT(ON)}$)	0.1	0.5		Ω typ	$V_S = \pm 10\text{ V}$, $I_S = -10\text{ mA}$
		0.5		Ω max	$V_S = -5\text{ V}/0\text{ V}/+5\text{ V}$; $I_S = -10\text{ mA}$
LEAKAGE CURRENTS					
Source Off Leakage, I_S (Off)	± 0.01	± 2.5	± 5	nA typ	$V_{DD} = +16.5\text{ V}$, $V_{SS} = -16.5\text{ V}$
	± 0.5			nA max	$V_S = \pm 10\text{ V}$, $V_D = \mp 10\text{ V}$; Figure 21
Drain Off Leakage, I_D (Off)	± 0.01			nA typ	$V_S = \pm 10\text{ V}$, $V_D = \mp 10\text{ V}$; Figure 21
	± 0.5	± 2.5	± 5	nA max	
Channel On Leakage, I_D , I_S (On)	± 0.04			nA typ	$V_S = V_D = \pm 10\text{ V}$; Figure 22
	± 1	± 5	± 5	nA max	
DIGITAL INPUTS					
Input High Voltage, V_{INH}			2.0	V min	
Input Low Voltage, V_{INL}			0.8	V max	
Input Current, I_{INL} or I_{INH}	0.005		± 2.5	μA typ	$V_{IN} = V_{INL}$ or V_{INH}
			± 0.5	μA max	
Digital Input Capacitance, C_{IN}	2.5			pF typ	
DYNAMIC CHARACTERISTICS¹					
t_{ON}	105		185	ns typ	$R_L = 300\ \Omega$, $C_L = 35\text{ pF}$
	125			ns max	$V_S = +10\text{ V}$; Figure 23
t_{OFF}	40		60	ns typ	$R_L = 300\ \Omega$, $C_L = 35\text{ pF}$
	50			ns max	$V_S = +10\text{ V}$; Figure 23
Break-Before-Make Time Delay, t_D (ADG1413 only)	25		10	ns typ	$R_L = 300\ \Omega$, $C_L = 35\text{ pF}$
				ns min	$V_{S1} = V_{S2} = 10\text{ V}$; Figure 24
Charge Injection	50			pC typ	$V_S = 0\text{ V}$, $R_S = 0\ \Omega$, $C_L = 1\text{ nF}$; Figure 25
Off Isolation	50			dB typ	$R_L = 50\ \Omega$, $C_L = 5\text{ pF}$, $f = 1\text{ MHz}$; Figure 26
Channel-to-Channel Crosstalk	60			dB typ	$R_L = 50\ \Omega$, $C_L = 5\text{ pF}$, $f = 1\text{ MHz}$; Figure 27
Total Harmonic Distortion + Noise	0.015			% typ	$R_L = 110\ \Omega$, 5 V rms , $f = 20\text{ Hz}$ to 20 kHz
-3 dB Bandwidth	200			MHz typ	$R_L = 50\ \Omega$, $C_L = 5\text{ pF}$; Figure 28
C_S (Off)	35			pF typ	$V_S = 0\text{ V}$, $f = 1\text{ MHz}$
C_D (Off)	35			pF typ	$V_S = 0\text{ V}$, $f = 1\text{ MHz}$
C_D , C_S (On)	150			pF typ	$V_S = 0\text{ V}$, $f = 1\text{ MHz}$
POWER REQUIREMENTS					
I_{DD}	0.001		1	μA typ	$V_{DD} = +16.5\text{ V}$, $V_{SS} = -16.5\text{ V}$
				μA max	Digital inputs = 0 V or V_{DD}
I_{DD}	220			μA typ	Digital inputs = 5 V

	25°C	-40°C to +85°C	-40°C to +125°C		
I_{SS}	0.001		320	μA max	Digital inputs = 0 V, 5V or V_{DD} Gnd = 0V
V_{DD}/V_{SS}			1. ±4.5/±16.5	μA typ μA max V min/max	

¹ Guaranteed by design, not subject to production test.

SINGLE SUPPLY

$V_{DD} = 12\text{ V} \pm 10\%$, $V_{SS} = 0\text{ V}$, $GND = 0\text{ V}$, unless otherwise noted.

Table 2.

	Y Version			Unit	Test Conditions/Comments
	25°C	-40°C to +85°C	-40°C to +125°C		
ANALOG SWITCH					
Analog Signal Range			0 V to V_{DD}	V	
On Resistance (R_{ON})	2			Ω typ	$V_S = +10\text{ V}$, $I_S = -10\text{ mA}$; Figure 20
	3	4		Ω max	$V_{DD} = +10.8\text{ V}$, $V_{SS} = 0\text{ V}$
On Resistance Match Between Channels (ΔR_{ON})	0.1			Ω typ	$V_S = +10\text{ V}$, $I_S = -10\text{ mA}$
				Ω max	
On Resistance Flatness ($R_{FLAT(ON)}$)	0.1			Ω typ	$V_S = -5\text{ V}/0\text{ V}/+5\text{ V}$, $I_S = -10\text{ mA}$
LEAKAGE CURRENTS					
Source Off Leakage, I_S (Off)	± 0.01			nA typ	$V_{DD} = 13.2\text{ V}$, $V_{SS} = 0\text{ V}$
	± 0.5	± 2.5	± 5	nA max	$V_S = 1\text{ V}/10\text{ V}$, $V_D = 10\text{ V}/0\text{ V}$; Figure 21
Drain Off Leakage, I_D (Off)	± 0.01			nA typ	$V_S = 1\text{ V}/10\text{ V}$, $V_D = 10\text{ V}/0\text{ V}$; Figure 21
	± 0.5	± 2.5	± 5	nA max	
Channel On Leakage, I_D , I_S (On)	± 0.04			nA typ	$V_S = V_D = 1\text{ V}$ or 10 V ; Figure 22
	± 1	± 5	± 5	nA max	
DIGITAL INPUTS					
Input High Voltage, V_{INH}			2.0	V min	
Input Low Voltage, V_{INL}			0.8	V max	
Input Current, I_{INL} or I_{INH}	0.001			μA typ	$V_{IN} = V_{INL}$ or V_{INH}
			± 0.5	μA max	
Digital Input Capacitance, C_{IN}	3			pF typ	
DYNAMIC CHARACTERISTICS¹					
t_{ON}	120			ns typ	$R_L = 300\ \Omega$, $C_L = 35\text{ pF}$
	155		225	ns max	$V_S = 8\text{ V}$; Figure 23
t_{OFF}	45			ns typ	$R_L = 300\ \Omega$, $C_L = 35\text{ pF}$
	65		85	ns max	$V_S = 8\text{ V}$; Figure 23
Break-Before-Make Time Delay, t_D (ADG1413 only)	50		10	ns typ	$R_L = 300\ \Omega$, $C_L = 35\text{ pF}$
				ns min	$V_{S1} = V_{S2} = 8\text{ V}$; Figure 24
Charge Injection	50			pC typ	$V_S = 6\text{ V}$, $R_S = 0\ \Omega$, $C_L = 1\text{ nF}$; Figure 25
Off Isolation	50			dB typ	$R_L = 50\ \Omega$, $C_L = 5\text{ pF}$, $f = 1\text{ MHz}$; Figure 26
Channel-to-Channel Crosstalk	60			dB typ	$R_L = 50\ \Omega$, $C_L = 5\text{ pF}$, $f = 1\text{ MHz}$; Figure 27
Total Harmonic Distortion + Noise	0.015			% typ	$R_L = 110\ \Omega$, 5 V rms , $f = 20\text{ Hz}$ to 20 kHz
-3 dB Bandwidth	200			MHz typ	$R_L = 50\ \Omega$, $C_L = 5\text{ pF}$; Figure 28
C_S (Off)	35			pF typ	$V_S = 6\text{ V}$, $f = 1\text{ MHz}$
C_D (Off)	35			pF typ	$V_S = 6\text{ V}$, $f = 1\text{ MHz}$
C_D , C_S (On)	150			pF typ	$V_S = 6\text{ V}$, $f = 1\text{ MHz}$
POWER REQUIREMENTS					
I_{DD}	0.001			μA typ	$V_{DD} = 13.2\text{ V}$
			1	μA max	Digital inputs = 0 V or V_{DD}
I_{DD}	220			μA typ	Digital inputs = 5 V
			320	μA max	
V_{DD}			5/16.5	V min/max	$Gnd = 0\text{ V}$, $V_{SS} = 0\text{ V}$

¹ Guaranteed by design, not subject to production test.

DUAL SUPPLY

$V_{DD} = 5\text{ V} \pm 10\%$, $V_{SS} = -5\text{ V} \pm 10\%$, $GND = 0\text{ V}$, unless otherwise noted.

Table 3.

	25°C	-40°C to +85°C	-40°C to +125°C	Unit	Test Conditions/Comments
ANALOG SWITCH					
Analog Signal Range			0 V to V_{DD}	V	
On Resistance (R_{ON})	3			Ω typ	$V_S = \pm 3.3\text{ V}$, $I_S = -10\text{ mA}$; Figure 20
	4			Ω max	$V_{DD} = +4.5\text{ V}$, $V_{SS} = -4.5\text{ V}$
On Resistance Match Between Channels (ΔR_{ON})	0.1			Ω typ	$V_S = \pm 3.3\text{ V}$, $I_S = -10\text{ mA}$
				Ω max	
On Resistance Flatness ($R_{FLAT(ON)}$)	0.1			Ω typ	$V_S = -3\text{ V}/0\text{ V}/+3\text{ V}$; $I_S = -10\text{ mA}$
LEAKAGE CURRENTS					
Source Off Leakage, I_S (Off)	± 0.01			nA typ	$V_{DD} = +5.5\text{ V}$, $V_{SS} = -5.5\text{ V}$
	± 0.5	± 2.5	± 5	nA max	$V_S = \pm 4.5\text{ V}$, $V_D = \mp 4.5\text{ V}$; Figure 21
Drain Off Leakage, I_D (Off)	± 0.01			nA typ	$V_S = \pm 4.5\text{ V}$, $V_D = \mp 4.5\text{ V}$; Figure 21
	± 0.5	± 2.5	± 5	nA max	
Channel On Leakage, I_D , I_S (On)	± 0.04			nA typ	$V_S = V_D = \pm 4.5\text{ V}$; Figure 22
	± 1	± 5	± 5	nA max	
DIGITAL INPUTS					
Input High Voltage, V_{INH}			2.0	V min	
Input Low Voltage, V_{INL}			0.8	V max	
Input Current, I_{INL} or I_{INH}	0.001			μA typ	$V_{IN} = V_{INL}$ or V_{INH}
			± 0.5	μA max	
Digital Input Capacitance, C_{IN}	3			pF typ	
DYNAMIC CHARACTERISTICS¹					
t_{ON}	120			ns typ	$R_L = 300\ \Omega$, $C_L = 35\text{ pF}$
	155		225	ns max	$V_S = 3\text{ V}$; Figure 23
t_{OFF}	45			ns typ	$R_L = 300\ \Omega$, $C_L = 35\text{ pF}$
	65		85	ns max	$V_S = 3\text{ V}$; Figure 23
Break-Before-Make Time Delay, t_D (ADG1413 only)	50		10	ns typ	$R_L = 300\ \Omega$, $C_L = 35\text{ pF}$
				ns min	$V_{S1} = V_{S2} = 8\text{ V}$; Figure 24
Charge Injection	10			pC typ	$V_S = 0\text{ V}$, $R_S = 0\ \Omega$, $C_L = 1\text{ nF}$; Figure 25
Off Isolation	50			dB typ	$R_L = 50\ \Omega$, $C_L = 5\text{ pF}$, $f = 1\text{ MHz}$; Figure 26
Channel-to-Channel Crosstalk	60			dB typ	$R_L = 50\ \Omega$, $C_L = 5\text{ pF}$, $f = 1\text{ MHz}$; Figure 27
Total Harmonic Distortion + Noise	0.015			% typ	$R_L = 110\ \Omega$, 5 V rms , $f = 20\text{ Hz to }20\text{ kHz}$
-3 dB Bandwidth	200			MHz typ	$R_L = 50\ \Omega$, $C_L = 5\text{ pF}$; Figure 28
C_S (Off)	35			pF typ	$V_S = 0\text{ V}$, $f = 1\text{ MHz}$
C_D (Off)	35			pF typ	$V_S = 0\text{ V}$, $f = 1\text{ MHz}$
C_D , C_S (On)	150			pF typ	$V_S = 0\text{ V}$, $f = 1\text{ MHz}$
POWER REQUIREMENTS					
I_{DD}	0.001		1.0	μA typ	$V_{DD} = 5.5\text{ V}$, $V_{SS} = -5.5\text{ V}$
				μA max	Digital inputs = 0 V or V_{DD}
I_{SS}	0.001		1.0	μA typ	Digital inputs = 5 V
			1.0	μA max	
V_{DD}/V_{SS}			$\pm 4.5/\pm 16.5$	V min/max	Gnd = 0V

¹ Guaranteed by design, not subject to production test.

ABSOLUTE MAXIMUM RATINGS

$T_A = 25^\circ\text{C}$, unless otherwise noted.

Table 4.

Parameter	Rating
V_{DD} to V_{SS}	35 V
V_{DD} to GND	-0.3 V to +25 V
V_{SS} to GND	+0.3 V to -25 V
Analog Inputs ¹	$V_{SS} - 0.3$ V to $V_{DD} + 0.3$ V
Digital Inputs ¹	GND - 0.3 V to $V_{DD} + 0.3$ V or 30 mA, whichever occurs first
Peak Current, S or D	300 mA (pulsed at 1 ms, 10% duty cycle max)
Continuous Current, S or D	200 mA
Operating Temperature Range	
Automotive (Y Version)	-40°C to +125°C
Storage Temperature Range	-65°C to +150°C
Junction Temperature	150°C
16-Lead TSSOP, θ_{JA} Thermal Impedance	150.4°C/W
16-Lead LFCSP, θ_{JA} Thermal Impedance	72.7°C/W
Reflow Soldering Peak Temperature, Pb free	260°C

¹ Overvoltages at IN, S, or D are clamped by internal diodes. Current should be limited to the maximum ratings given.

Stresses above those listed under Absolute Maximum Ratings may cause permanent damage to the device. This is a stress rating only; functional operation of the device at these or any other conditions above those listed in the operational sections of this specification is not implied. Exposure to absolute maximum rating conditions for extended periods may affect device reliability. Only one absolute maximum rating may be applied at any one time.

ESD CAUTION

ESD (electrostatic discharge) sensitive device. Electrostatic charges as high as 4000 V readily accumulate on the human body and test equipment and can discharge without detection. Although this product features proprietary ESD protection circuitry, permanent damage may occur on devices subjected to high energy electrostatic discharges. Therefore, proper ESD precautions are recommended to avoid performance degradation or loss of functionality.



PIN CONFIGURATIONS AND FUNCTION DESCRIPTIONS

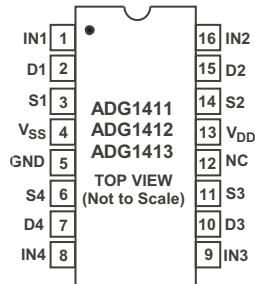
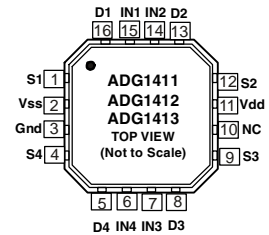


Figure 2. TSSOP Pin Configuration



EXPOSED PAD TIED TO SUBSTRATE, V_{SS}
NC = NO CONNECT

Figure 3. LFCSP Pin Configuration

Table 5. Pin Function Descriptions

Pin No.		Mnemonic	Description
TSSOP	LFCSP		
1	15	IN1	Logic Control Input.
2	16	D1	Drain Terminal. Can be an input or output.
3	1	S1	Source Terminal. Can be an input or output.
4	2	V _{SS}	Most Negative Power Supply Potential.
5	3	GND	Ground (0 V) Reference.
6	4	S4	Source Terminal. Can be an input or output.
7	5	D4	Drain Terminal. Can be an input or output.
8	6	IN4	Logic Control Input.
9	7	IN3	Logic Control Input.
10	8	D3	Drain Terminal. Can be an input or output.
11	9	S3	Source Terminal. Can be an input or output.
12	10	NC	No Connection.
13	11	V _{DD}	Most Positive Power Supply Potential.
14	12	S2	Source Terminal. Can be an input or output.
15	13	D2	Drain Terminal. Can be an input or output.
16	14	IN2	Logic Control Input.

Table 6. ADG1411/ADG1412 Truth Table

ADG1411 IN _x	ADG1412 IN _x	Switch Condition
0	1	On
1	0	Off

Table 7. ADG1413 Truth Table

Logic - IN _x	Switch 1, 4	Switch 2, 3
0	Off	On
1	On	Off

TERMINOLOGY

I_{DD}

The positive supply current.

I_{SS}

The negative supply current.

V_D (V_S)

The analog voltage on Terminals D and S.

R_{ON}

The ohmic resistance between D and S.

R_{FLAT(ON)}

Flatness is defined as the difference between the maximum and minimum value of on resistance, as measured over the specified analog signal range.

I_S (Off)

The source leakage current with the switch off.

I_D (Off)

The drain leakage current with the switch off.

I_D, I_S (On)

The channel leakage current with the switch on.

V_{INL}

The maximum input voltage for Logic 0.

V_{INH}

The minimum input voltage for Logic 1.

I_{INL} (I_{INH})

The input current of the digital input.

C_S (Off)

The off switch source capacitance, measured with reference to ground.

C_D (Off)

The off switch drain capacitance, measured with reference to ground.

C_D, C_S (On)

The on switch capacitance, measured with reference to ground.

C_{IN}

The digital input capacitance.

t_{ON}

The delay between applying the digital control input and the output switching on. See Figure 23.

t_{OFF}

The delay between applying the digital control input and the output switching off.

Charge Injection

A measure of the glitch impulse transferred from the digital input to the analog output during switching.

Off Isolation

A measure of unwanted signal coupling through an off switch.

Crosstalk

A measure of unwanted signal that is coupled through from one channel to another as a result of parasitic capacitance.

Bandwidth

The frequency at which the output is attenuated by 3 dB.

On Response

The frequency response of the on switch.

Insertion Loss

The loss due to the on resistance of the switch.

THD + N

The ratio of the harmonic amplitude plus noise of the signal to the fundamental.

TYPICAL PERFORMANCE CHARACTERISTICS



Figure 4. On Resistance as a Function of V_D (V_S) for Dual Supply



Figure 7. On Resistance as a Function of V_D (V_S) for Different Temperatures, Single Supply



Figure 5. On Resistance as a Function of V_D (V_S) for Single Supply



Figure 8. Leakage Currents as a Function of Temperature, Dual Supply



Figure 6. On Resistance as a Function of V_D (V_S) for Different Temperatures, Dual Supply



Figure 9. Leakage Currents as a Function of Temperature, Single Supply



Figure 10. Logic Threshold Voltage vs. Supply Voltage



Figure 13. T_{ON}/T_{OFF} Times vs. Temperature



Figure 11. I_{DD} vs. Logic Level



Figure 14. Off Isolation vs. Frequency



Figure 12. Charge Injection vs. Source Voltage



Figure 15. Crosstalk vs. Frequency



Figure 16. On Response vs. Frequency



Figure 18. Capacitance vs. Source Voltage, Single Supply



Figure 17. Capacitance vs. Source Voltage, Dual Supply



Figure 19. THD + N vs. Frequency

TEST CIRCUITS

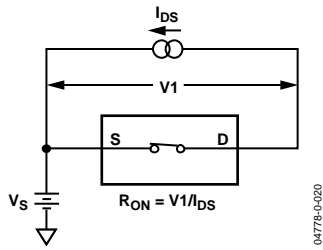


Figure 20. On Resistance

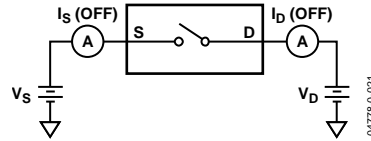


Figure 21. Off Leakage

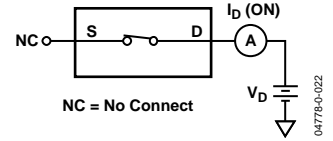


Figure 22. On Leakage

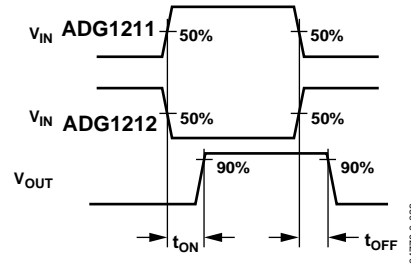
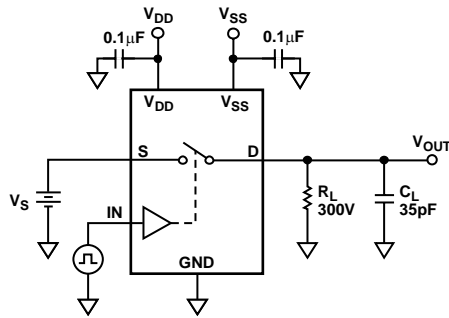


Figure 23. Switching Times

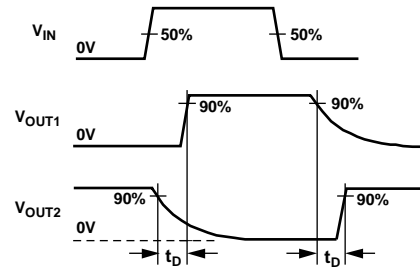
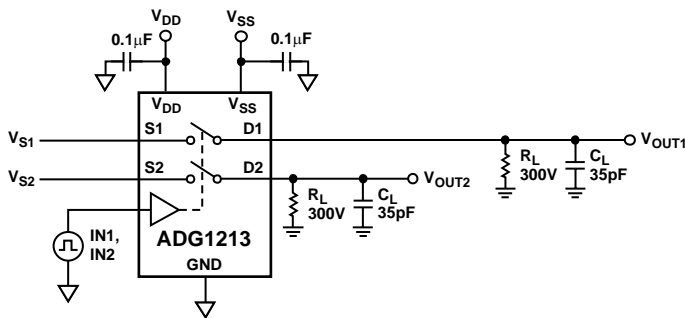


Figure 24. Break-Before-Make Time Delay

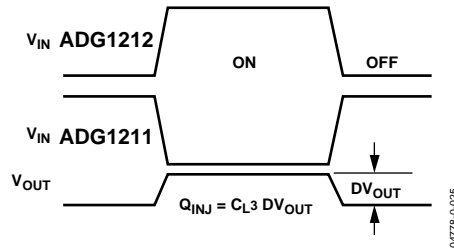
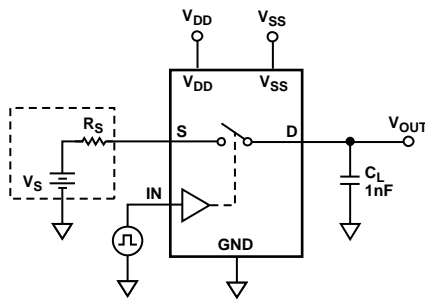


Figure 25. Charge Injection

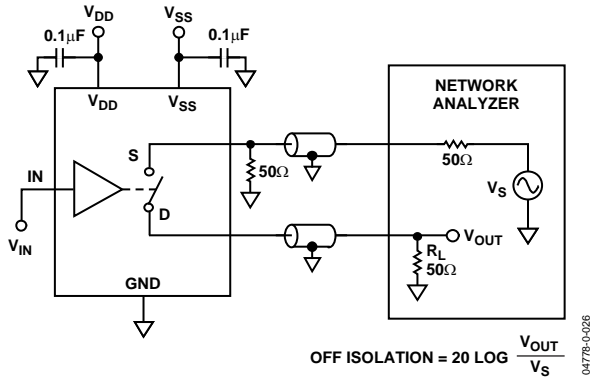


Figure 26. Off Isolation

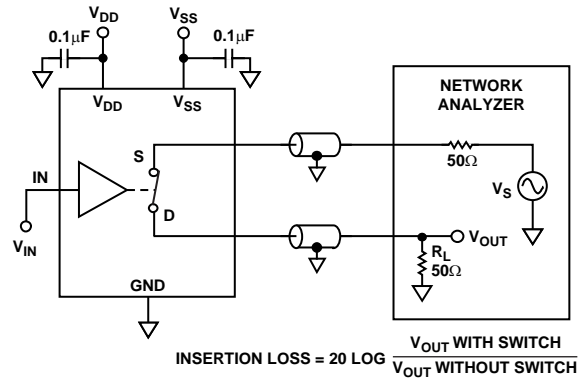


Figure 28. Bandwidth

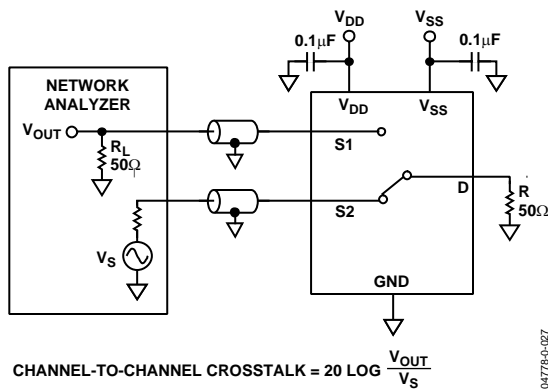
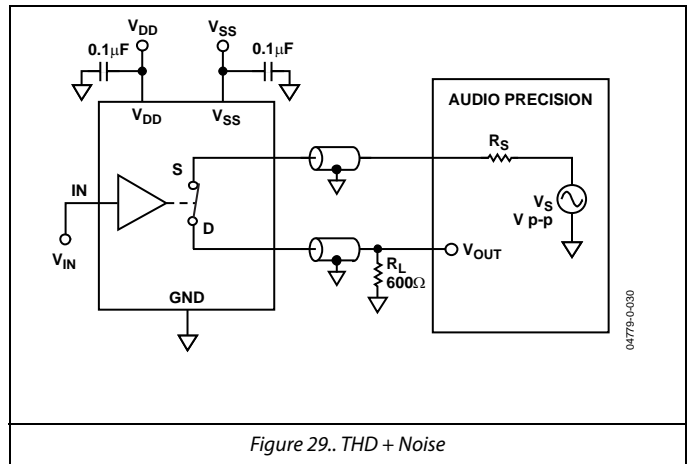


Figure 27. Channel-to-Channel Crosstalk



OUTLINE DIMENSIONS

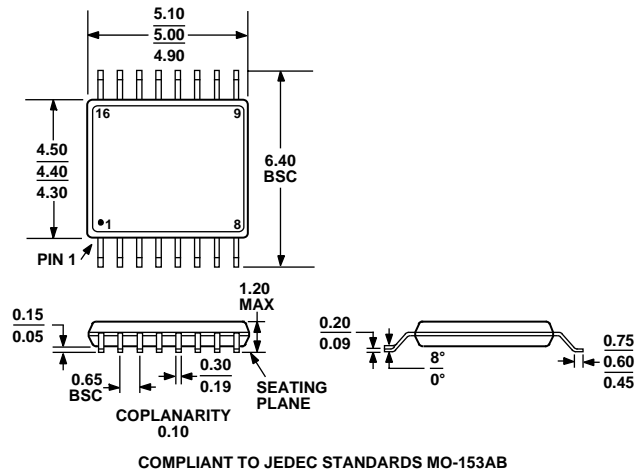


Figure 29. 16-Lead Thin Shrink Small Outline Package [TSSOP]
(RU-16)
Dimensions shown in millimeters

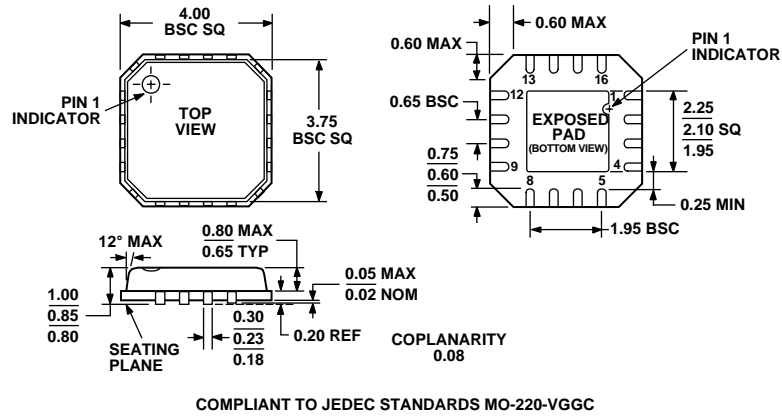


Figure 30. 16-Lead Lead Frame Chip Scale Package [VQ_LFCSP]
4 mm × 4 mm Body, Very Thin Quad
(CP-16-4)
Dimensions shown in millimeters

ORDERING GUIDE

Model	Temperature Range	Package Description	Package Option
ADG1411YRUZ ¹	-40°C to +125°C	Thin Shrink Small Outline Package (TSSOP)	RU-16
ADG1411YRUZ-REEL ¹	-40°C to +125°C	Thin Shrink Small Outline Package (TSSOP)	RU-16
ADG1411YRUZ-REEL7 ¹	-40°C to +125°C	Thin Shrink Small Outline Package (TSSOP)	RU-16
ADG1411YCPZ-500RL ¹	-40°C to +125°C	Lead Frame Chip Scale Package (VQ_LFCSP)	CP-16-4
ADG1411YCPZ-REEL ¹	-40°C to +125°C	Lead Frame Chip Scale Package (VQ_LFCSP)	CP-16-4
ADG1412YRUZ ¹	-40°C to +125°C	Thin Shrink Small Outline Package (TSSOP)	RU-16
ADG1412YRUZ-REEL ¹	-40°C to +125°C	Thin Shrink Small Outline Package (TSSOP)	RU-16
ADG1412YRUZ-REEL7 ¹	-40°C to +125°C	Thin Shrink Small Outline Package (TSSOP)	RU-16
ADG1412YCPZ-500RL ¹	-40°C to +125°C	Lead Frame Chip Scale Package (VQ_LFCSP)	CP-16-4
ADG1412YCPZ-REEL ¹	-40°C to +125°C	Lead Frame Chip Scale Package (VQ_LFCSP)	CP-16-4
ADG1413YRUZ ¹	-40°C to +125°C	Thin Shrink Small Outline Package (TSSOP)	RU-16
ADG1413YRUZ-REEL ¹	-40°C to +125°C	Thin Shrink Small Outline Package (TSSOP)	RU-16
ADG1413YRUZ-REEL7 ¹	-40°C to +125°C	Thin Shrink Small Outline Package (TSSOP)	RU-16
ADG1413YCPZ-500RL ¹	-40°C to +125°C	Lead Frame Chip Scale Package (VQ_LFCSP)	CP-16-4
ADG1413YCPZ-REEL ¹	-40°C to +125°C	Lead Frame Chip Scale Package (VQ_LFCSP)	CP-16-4

¹ Z = Pb-free part.

NOTES