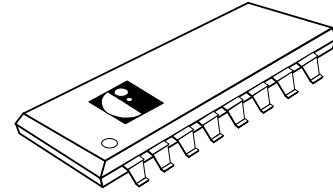
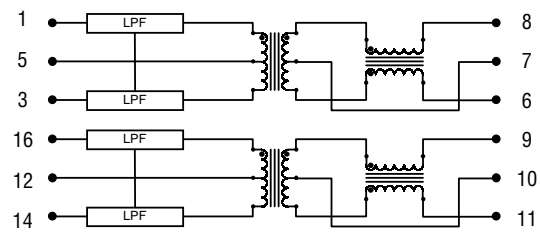
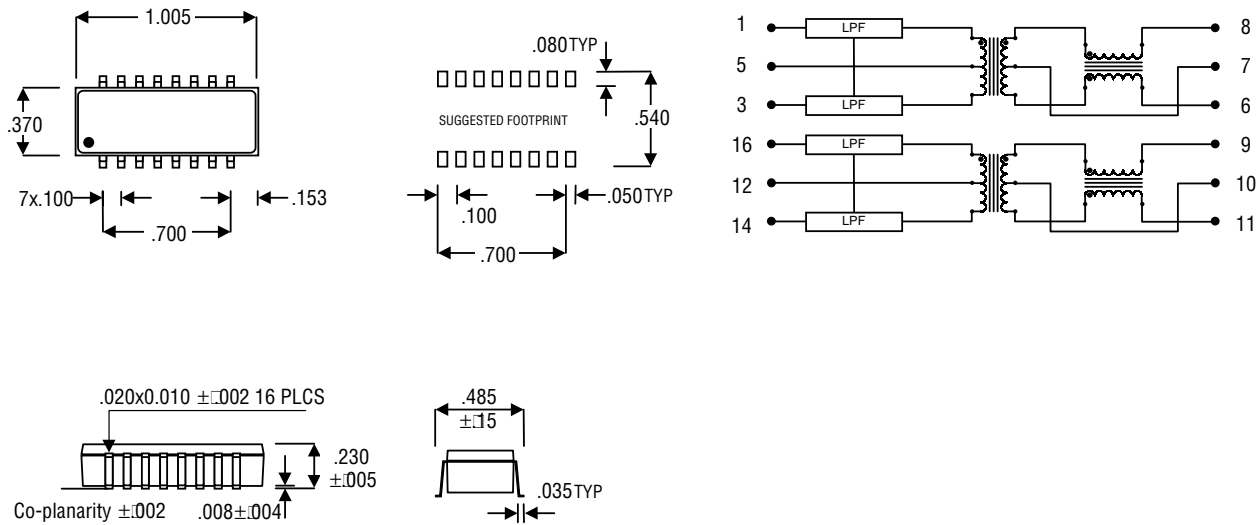


Features

- Meets IEEE 802.3 standard
- 7 pole transmit and receive filters
- Designed for use with most transceivers
- High isolation voltages
- ISO 9002 Certified Manufacturing facilities
- Operating temperature range from -40 to +85°C



MECHANICAL



ELECTRICAL SPECIFICATION @ 25°C

			TX / RX
Cut-off Frequency	MHz	17.5MHz	±1.5
Insertion loss	dB max	1MHz-10MHz	-1.0
Attenuation	dB min	20 MHz	-7
		40MHz -35	
		100MHz -35	
Return Loss	dB min	5MHz-10MHz	-15
Crosstalk	dB max	1MHz-10MHz	-30
CMRR	dB min	1MHz-100MHz	-40
Isolation	Vrms min	1 minute-@ 60Hz	1500

16/11/00 6670