

MODEL 627 T

CCITT V.35 Termination

Surface Mount

Resistor Networks



ELECTRICAL

Standard Resistance Tolerance, at 25°C	±2%
Operating Temperature Range	-55°C to +125°C
Temperature Coefficient of Resistance	±250ppm/°C
Temperature Coefficient of Resistance Tracking	±50ppm/°C
Voltage Coefficient of Resistance	±100ppm/°C
Maximum Operating Voltage	25Vdc
Insulation Resistance	≥10,000 Megohms

ENVIRONMENTAL

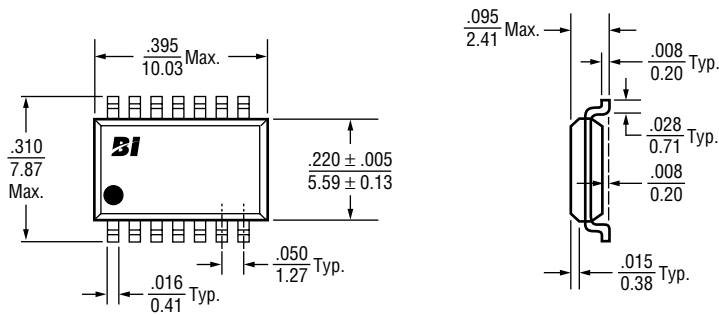
Thermal Shock plus Power Conditioning	ΔR 0.70%
Short Time Overload	ΔR 0.25%
Moisture Resistance	ΔR 0.50%
Mechanical Shock	ΔR 0.25%
Vibration Shock	ΔR 0.25%
Low Temperature Operation	ΔR 0.25%
High Temperature Exposure	ΔR 0.50%
Load Life, 2,000 Hours (≤33 Ohms = ±0.5 Ohm)	ΔR 0.50%
Resistance to Solder Heat (Total immersion in solder at 280°C for 10 sec.)	ΔR 0.25%
Dielectric Withstanding Voltage	200V for 1 minute
Temperature Exposure, Maximum	215°C for 3 minutes
Marking Permanency	MIL-STD-202, Method 215
Lead Solderability	MIL-STD-202, Method 208
Flammability	UL-94V-0 Rated
Storage Temperature Range	-55°C to +150°C

Specifications subject to change without notice.

MECHANICAL

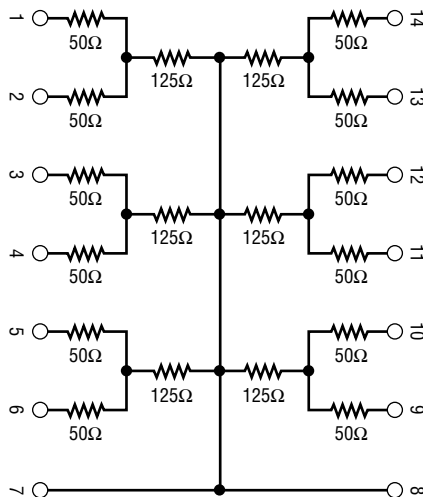
Lead Material	Copper Alloy, 60/40 Tin-Lead (Dipped)
Lead Configuration	Gull Wing
Lead Coplanarity	±0.002 in. (0.057mm)
Substrate Material	Alumina
Resistor Material	Cermet
Body Material	Epoxy

OUTLINE DIMENSIONS (Inch/mm)



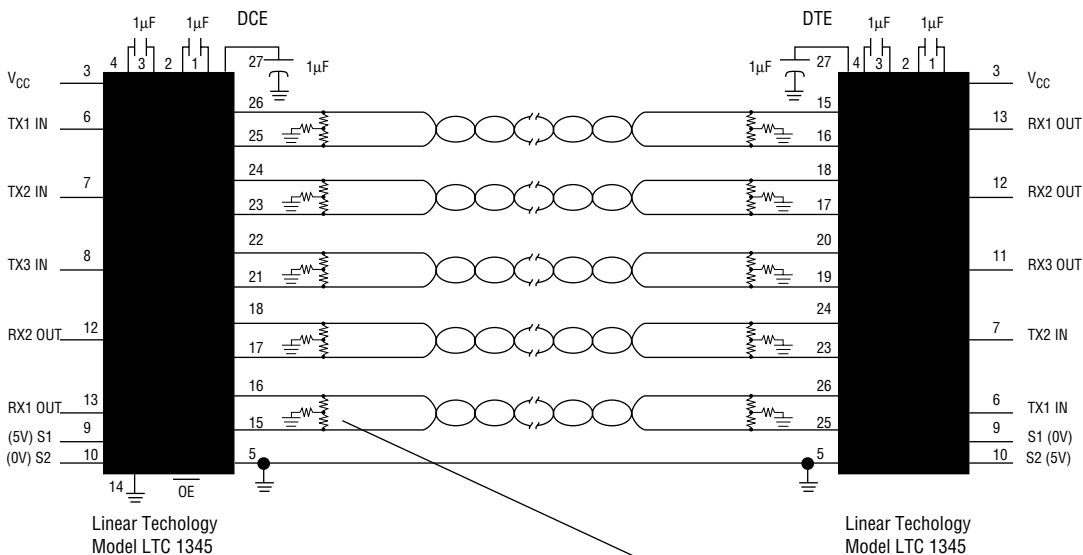
Note: Maximum allowable mold excursion = 0.006"

SCHEMATIC

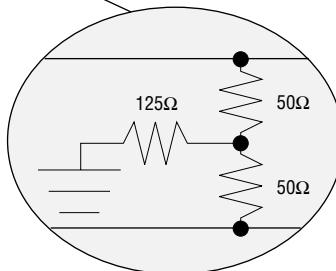


TYPICAL APPLICATION

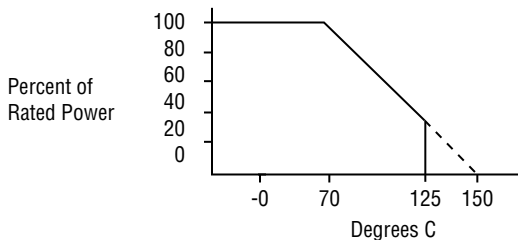
V.35 Balanced Interface



BI Model 627T provides 6 of these termination networks in a single package



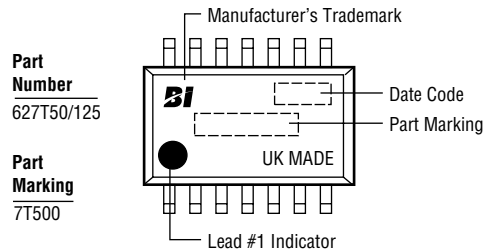
POWER DERATING CURVE



POWER DISSIPATION, WATTS AT 70 °C

Model	Package	Per Resistor
627 T	1.28	0.25

TYPICAL PART MARKING



PACKAGING

Standard: Tape & Reel

Conforms to requirements of EIA-481.

All units oriented with lead #1 to the left of direction of feed.

Tape:	Width	=	24mm
	Pocket	=	Embossed Antistatic Plastic
	Pitch	=	12mm
Reel:	Diameter	=	13" (330mm) Maximum
	Capacity	=	2,000 Units

Option: Magazines

Conforms to EIA and JEDEC standards.

All units oriented with lead #1 to the same side.

Magazine:	Capacity	=	50 Units
-----------	----------	---	----------

ORDERING INFORMATION

