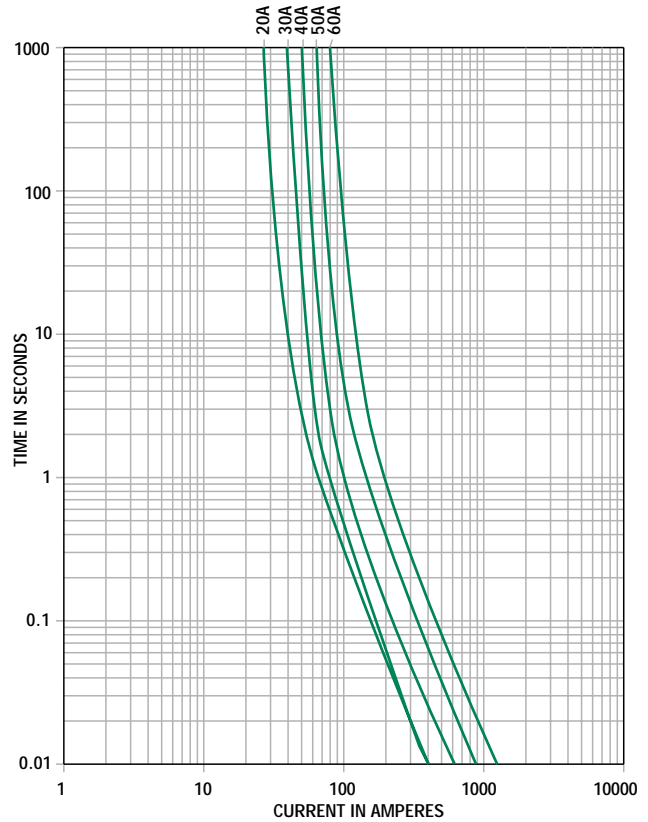
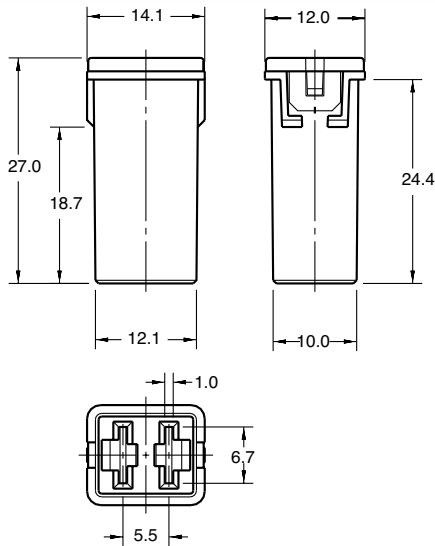


JCASE® Cartridge Fuse

The JCASE is a cartridge style fuse with female terminal design, providing both increased time delay and low voltage drop to protect high current circuits and handle inrush currents. The JCASE was designed and patented by Littelfuse.



TIME-CURRENT CHARACTERISTICS

| % of Rating | Opening Time | |
|-------------|--------------|---------|
| | Minimum | Maximum |
| 100 | 100 hrs | — |
| 135 | 60 s | 1800 s |
| 200 | 4 s | 60 s |
| 350 | 0.2 s | 7 s |
| 600 | 0.04 s | 1 s |

Interrupting Rating: 1000A @ 32 VDC

Voltage Rating: 32 VDC

Insertion Force: 53N max. (12 lb.)

Extraction Force: 9N min. (2 lb.)

Ambient Temp: -40°C to +125°C

JCASE CARTRIDGE FUSE TABLE

| Part Number | Current Rating (A) | Housing Color | Typ. Voltage Drop at Rated Current (mV) |
|-------------|--------------------|---------------|---|
| 495020 | 20 | Blue | 106 |
| 495025 | 25 | White | 101 |
| 495030 | 30 | Pink | 91 |
| 495040 | 40 | Green | 87 |
| 495050 | 50 | Red | 88 |
| 495060 | 60 | Yellow | 87 |



See page 32 for JCASE Shunt

JCASE Fuse Series Temperature Rerating Curve

