

Features

- Snap-in installation
- Fully sealed
- Optimal VDSL data rates
- Fits Bourns and 2003/2006 style NIDs
- Fast service deployment
- Expandability and flexibility

BOURNS®

3632 – VDSL Module

As part of Bourns® Integrated Protection Assembly (IPA) product family, the 3632 Module is designed to simplify the deployment of ADSL service at the subscriber's network interface (NID). ANSI T1E1.4 compliant, the 3632 accepts the incoming VDSL service, filters off the voice (POTS) band and provides a connection for DSL data service (ADSL modem). In the event of power loss, the passive filter design allows for lifeline POTS service.

The rugged IPA VDSL Module is installed outdoors in the Bourns® 7200 series IPA NID (Network Interface Device). Combined with our 2360 series IPA MSP® Multi-Stage Protection Modules, the three Bourns® products provide a complete VDSL deployment package providing safe and reliable service, flexibility, expandability and optimal data rates.

Characteristics

DC Loop Current	0 to 100 ma
DC Loop Voltage	0 to -60 V
DC Resistance	≤25 ohms
Insertion Loss	<1.5 dB (0.2 - 80 kHz)
Delay Distortion (Voice and ISDN Band)	ISDN: <200 μs
Return Loss (Voice Band)	6 dB ERL; 5 dB SRL-Low 3 dB SRL-High
Longitudinal Balance, Two Port Technique	ISDN: >10 dB (0.2 - 80 kHz)
	>58 dB @ 0.2 - 1 kHz
	>53 dB @ 3kHz
	>53 dB @ 0.2 - 80 kHz
Tip to Ring Capacitance (POTS Port)	<90 nF

Related IPA Products

IPA Station Protectors

Part No.
2360-35-xx

Suggested Model: 2360-35-BP

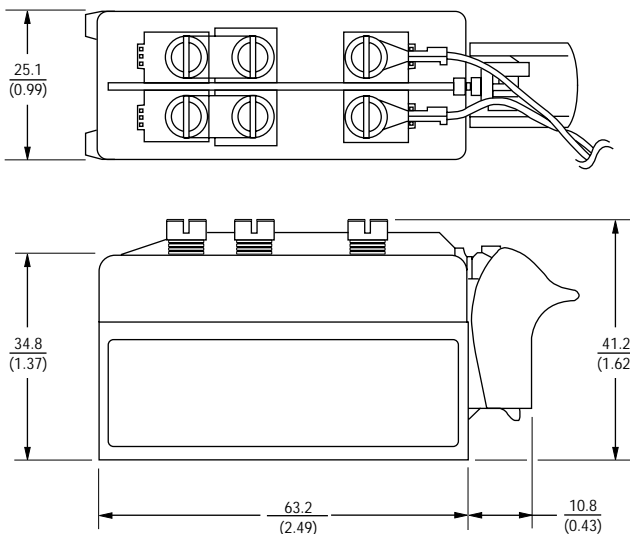
IPA NID (Network Interface Device)

Part No. Max. IPA Count
7204-0x-xx 4

How To Order

..... Part #3632

Product Dimensions



Reliable Electronic Solutions

Asia-Pacific:

TEL +886- (0)2 25624117
FAX +886- (0)2 25624116

Europe:

TEL +41-41 7685555
FAX +41-41 7685510

North America:

TEL +1-909 781-5500
FAX +1-909 781-5700

bourns.com

REV. A

"Bourns" and "MSP" are registered trademarks of Bourns, Inc.
Specifications are subject to change without notice.
COPYRIGHT © 2002, BOURNS, INC. LITHO IN U.S.A. IP 09/02 G0255