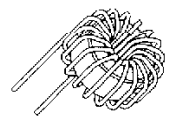
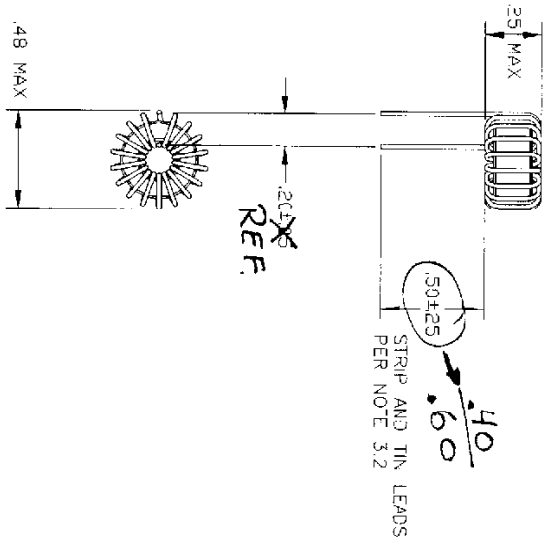


PROPRIETARY DATA:
 This document and information contained
 hereon are the property of WESTCOCK
 and may not be reproduced, used or disclosed
 without prior written permission of WESTCOCK
 a division of VORCO Corporation.



DWG NO. 36-00030

REV C

REV	DESCRIPTION	DATE	APPROVED
317	A	2/27/95	RBD
421	B	7/28/95	RBD
519	C	6/5/96	RBD

NOTES: UNLESS OTHERWISE SPECIFIED,

- 1 MATERIALS: UL RECOGNIZED 94V-2 FLAMMABILITY RATING CLASS B (130°C) REQUIRED
- 1.1 CORE: TOROID - .575 X .187 X .188 (O = 5000)
- 1.2 WIRE: UL RECOGNIZED 130°C RATING MAGNET WIRE
- 2 SPECIFICATIONS:
 - 2.1 L = 0.9-2.0mH AT 50% @ 1 KHZ. TEST FREQUENCY
 - 2.2 ICR = 35 MOHMS MAX
- 3 CONSTRUCTION:
 - 3.1 WIND
 - 3.2 T.N LEADS CLOSE TO CORE AS SHOWN
 - 3.3 LABEL BULK PACKAGE WITH DRAWING NUMBER AND REVISION, VENDOR IDENTIFICATION, AND DATE OF MANUFACTURE

MATERIALS SPECIFIED		APPROVALS		DATE	
FRCTIONS	DECIMALS	DATE	DATE	DATE	DATE
1/16"	.0625	10/13/94	10/13/94	10/13/94	10/13/94
1/32"	.03125				
3/16"	.1875				
1/8"	.125				
1/4"	.25				
3/8"	.375				
1/2"	.5				
5/8"	.625				
3/4"	.75				
7/8"	.875				
1"	1.0				
1 1/8"	1.125				
1 1/4"	1.25				
1 1/2"	1.5				
1 3/4"	1.75				
2"	2.0				
2 1/4"	2.5				
2 1/2"	3.0				
2 3/4"	3.5				
3"	4.0				
3 1/4"	4.5				
3 1/2"	5.0				
3 3/4"	5.5				
4"	6.0				
4 1/4"	7.0				
4 1/2"	8.0				
4 3/4"	9.0				
5"	10.0				
5 1/4"	12.0				
5 1/2"	14.0				
5 3/4"	16.0				
6"	18.0				
6 1/4"	21.0				
6 1/2"	24.0				
6 3/4"	27.0				
7"	30.0				
7 1/4"	33.0				
7 1/2"	36.0				
7 3/4"	39.0				
8"	42.0				
8 1/4"	45.0				
8 1/2"	48.0				
8 3/4"	51.0				
9"	54.0				
9 1/4"	57.0				
9 1/2"	60.0				
9 3/4"	63.0				
10"	66.0				
10 1/4"	69.0				
10 1/2"	72.0				
10 3/4"	75.0				
11"	78.0				
11 1/4"	81.0				
11 1/2"	84.0				
11 3/4"	87.0				
12"	90.0				
12 1/4"	93.0				
12 1/2"	96.0				
12 3/4"	99.0				
13"	102.0				
13 1/4"	105.0				
13 1/2"	108.0				
13 3/4"	111.0				
14"	114.0				
14 1/4"	117.0				
14 1/2"	120.0				
14 3/4"	123.0				
15"	126.0				
15 1/4"	129.0				
15 1/2"	132.0				
15 3/4"	135.0				
16"	138.0				
16 1/4"	141.0				
16 1/2"	144.0				
16 3/4"	147.0				
17"	150.0				
17 1/4"	153.0				
17 1/2"	156.0				
17 3/4"	159.0				
18"	162.0				
18 1/4"	165.0				
18 1/2"	168.0				
18 3/4"	171.0				
19"	174.0				
19 1/4"	177.0				
19 1/2"	180.0				
19 3/4"	183.0				
20"	186.0				
20 1/4"	189.0				
20 1/2"	192.0				
20 3/4"	195.0				
21"	198.0				
21 1/4"	201.0				
21 1/2"	204.0				
21 3/4"	207.0				
22"	210.0				
22 1/4"	213.0				
22 1/2"	216.0				
22 3/4"	219.0				
23"	222.0				
23 1/4"	225.0				
23 1/2"	228.0				
23 3/4"	231.0				
24"	234.0				
24 1/4"	237.0				
24 1/2"	240.0				
24 3/4"	243.0				
25"	246.0				
25 1/4"	249.0				
25 1/2"	252.0				
25 3/4"	255.0				
26"	258.0				
26 1/4"	261.0				
26 1/2"	264.0				
26 3/4"	267.0				
27"	270.0				
27 1/4"	273.0				
27 1/2"	276.0				
27 3/4"	279.0				
28"	282.0				
28 1/4"	285.0				
28 1/2"	288.0				
28 3/4"	291.0				
29"	294.0				
29 1/4"	297.0				
29 1/2"	300.0				
29 3/4"	303.0				
30"	306.0				
30 1/4"	309.0				
30 1/2"	312.0				
30 3/4"	315.0				
31"	318.0				
31 1/4"	321.0				
31 1/2"	324.0				
31 3/4"	327.0				
32"	330.0				
32 1/4"	333.0				
32 1/2"	336.0				
32 3/4"	339.0				
33"	342.0				
33 1/4"	345.0				
33 1/2"	348.0				
33 3/4"	351.0				
34"	354.0				
34 1/4"	357.0				
34 1/2"	360.0				
34 3/4"	363.0				
35"	366.0				
35 1/4"	369.0				
35 1/2"	372.0				
35 3/4"	375.0				
36"	378.0				
36 1/4"	381.0				
36 1/2"	384.0				
36 3/4"	387.0				
37"	390.0				
37 1/4"	393.0				
37 1/2"	396.0				
37 3/4"	399.0				
38"	402.0				
38 1/4"	405.0				
38 1/2"	408.0				
38 3/4"	411.0				
39"	414.0				
39 1/4"	417.0				
39 1/2"	420.0				
39 3/4"	423.0				
40"	426.0				
40 1/4"	429.0				
40 1/2"	432.0				
40 3/4"	435.0				
41"	438.0				
41 1/4"	441.0				
41 1/2"	444.0				
41 3/4"	447.0				
42"	450.0				
42 1/4"	453.0				
42 1/2"	456.0				
42 3/4"	459.0				
43"	462.0				
43 1/4"	465.0				
43 1/2"	468.0				
43 3/4"	471.0				
44"	474.0				
44 1/4"	477.0				
44 1/2"	480.0				
44 3/4"	483.0				
45"	486.0				
45 1/4"	489.0				
45 1/2"	492.0				
45 3/4"	495.0				
46"	498.0				
46 1/4"	501.0				
46 1/2"	504.0				
46 3/4"	507.0				
47"	510.0				
47 1/4"	513.0				
47 1/2"	516.0				
47 3/4"	519.0				
48"	522.0				
48 1/4"	525.0				
48 1/2"	528.0				
48 3/4"	531.0				
49"	534.0				
49 1/4"	537.0				
49 1/2"	540.0				
49 3/4"	543.0				
50"	546.0				
50 1/4"	549.0				
50 1/2"	552.0				
50 3/4"	555.0				
51"	558.0				
51 1/4"	561.0				
51 1/2"	564.0				
51 3/4"	567.0				
52"	570.0				
52 1/4"	573.0				
52 1/2"	576.0				
52 3/4"	579.0				
53"	582.0				
53 1/4"	585.0				
53 1/2"	588.0				
53 3/4"	591.0				
54"	594.0				
54 1/4"	597.0				
54 1/2"	600.0				
54 3/4"	603.0				
55"	606.0				
55 1/4"	609.0				
55 1/2"	612.0				
55 3/4"	615.0				
56"	618.0				
56 1/4"					