

ADSL Magnetics

Lucent WildWire 12V/5V ADSL CPE

TM00323

- Designed to meet UL-1950 and IEC 950 safety requirements
- UL file number E150991
- Operating temperature range: -40° C to +85° C
- Meets IEC 695, 2-2 flammability requirements
- PWB Process Capability: standard printed wiring board assembly techniques, total-immersion cleaning
- Reliability testing: shock, vibration, temperature cycling, temperature - humidity - bias

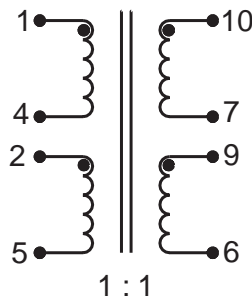
ELECTRICAL SPECIFICATIONS AT 25° C

Part Number	Package	Turns Ratio ¹ ± 2%	Inductance ² mH min	DCR ⁵ Ω max		Leakage Inductance ³ μH max	Direct Capacitance ⁴ pF max	Dielectric Rating Vrms
		(1-5) : (10-6) ⁶	(1-5) ⁶	(1-5)	(10-6)	(1-5) ⁶	(2-5) : (1-3) ⁵	between (1-10) ⁵
2818C	THT	1 : 1	1.17 - 1.29	4.05 - 4.95	4.05 - 4.95	9	35	1500

1. measured at 20 kHz, 1 Vrms
2. measured at 10 kHz, 0.1 Vrms
3. measured at 100 kHz, 0.1 Vrms
4. measured 1 kHz, 1 Vrms
5. connect terminals 2 to 4 & 7 to 9
6. connect terminals 2 to 4 & 7 to 9, short 6, 7, 9 & 10

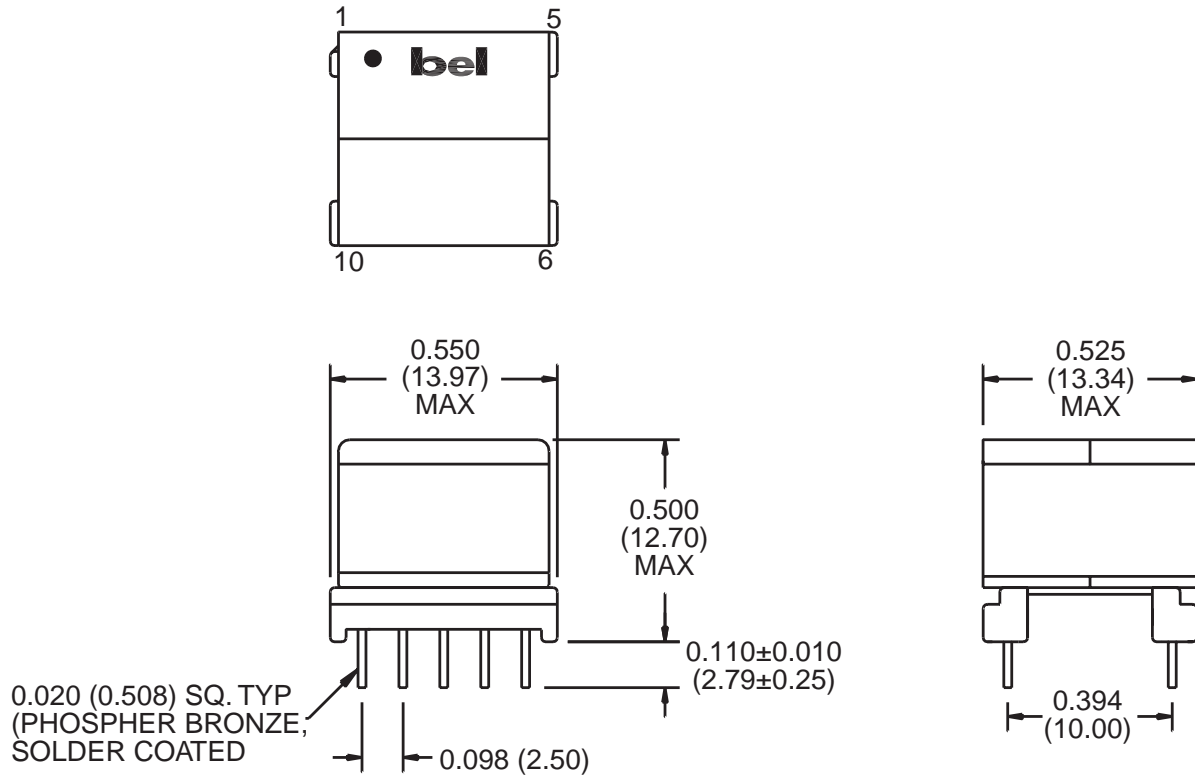
SCHEMATIC

2818C



MECHANICAL

2818C



©2000 Bel Fuse Inc. Specifications subject to change without notice. 04.00

CORPORATE

Bel Fuse Inc.
198 Van Vorst Street
Jersey City, NJ 07302
Tel 201-432-0463
Fax 201-432-9542
www.belfuse.com

T3-64

FAR EAST

Bel Fuse Ltd.
8F / 8 Luk Hop Street
San Po Kong
Kowloon, Hong Kong
Tel 852-2328-5515
Fax 852-2352-3706
www.belfuse.com

EUROPE

Bel Fuse Europe Ltd.
Preston Technology Management Centre
Marsh Lane, Suite G7, Preston
Lancashire, PR1 8UD, U.K.
Tel 44-1772-556601
Fax 44-1772-888366
www.belfuse.com