

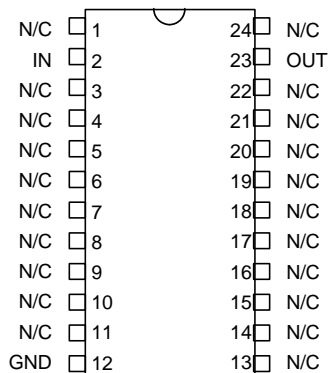
FIXED DIP DELAY LINE

$T_D/T_R = 10$
(SERIES 2211)

**data
delay
devices, inc.** 

FEATURES

- High bandwidth ($T_D/T_R = 10$)
- Low profile
- Epoxy encapsulated
- Meets or exceeds MIL-D-23859C

PACKAGES

2211-xxz (DIP)
2211-xxzC4 (Gull-Wing)
xx = Delay (T_D)
z = Impedance Code

PIN DESCRIPTIONS

IN Signal Input
OUT Signal Output
GND Ground

FUNCTIONAL DESCRIPTION

The 2211-series device is a fixed, single-input, single-output, passive delay line. The signal input (IN) is reproduced at the output (OUT) with a delay (T_D) given by the device dash number. The characteristic impedance of the line is given by the letter code that follows the dash number (See Table). The rise time (T_R) of the line is 10% of T_D , and the 3dB bandwidth is given by $3.5 / T_D$.

SERIES SPECIFICATIONS

- Dielectric breakdown: 50 Vdc
- Distortion @ output: 10% max.
- Operating temperature: -55°C to +125°C
- Storage temperature: -55°C to +125°C
- Temperature coefficient: 100 PPM/°C

DASH NUMBER SPECIFICATIONS

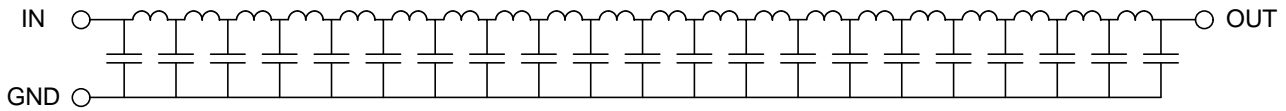
Part Number	T_D (ns)	T_R (ns)	Imped. (Ω)	R_{DC} (Ω)
2211-40C	40.0 ± 2.0	4.0	200	7.0
2211-80C	80.0 ± 4.0	8.0	200	8.0
2211-120C	120 ± 6.0	12.0	200	10.0
2211-200C	200 ± 10.0	20.0	200	13.0
2211-300C	300 ± 15.0	30.0	200	12.0
2211-400C	400 ± 20.0	40.0	200	15.0
2211-500C	500 ± 25.0	50.0	200	17.0
2211-600C	600 ± 30.0	60.0	200	23.0
2211-800C	800 ± 40.0	80.0	200	38.0
2211-50D	50.0 ± 2.5	5.0	250	7.0
2211-100D	100 ± 5.0	10.0	250	10.0
2211-150D	150 ± 7.5	15.0	250	12.0
2211-200D	200 ± 10.0	20.0	250	22.0
2211-250D	250 ± 12.5	25.0	250	21.0
2211-300D	300 ± 15.0	30.0	250	23.0
2211-400D	400 ± 20.0	40.0	250	26.0
2211-500D	500 ± 25.0	50.0	250	30.0
2211-600D	600 ± 30.0	60.0	250	37.0
2211-800D	800 ± 40.0	80.0	250	41.0
2211-1000D	1000 ± 50.0	100	250	47.0
2211-200G	200 ± 10.0	20.0	500	20.0
2211-300G	300 ± 15.0	30.0	500	37.0
2211-400G	400 ± 20.0	40.0	500	40.0
2211-500G	500 ± 25.0	50.0	500	45.0
2211-600G	600 ± 30.0	60.0	500	52.0
2211-800G	800 ± 40.0	80.0	500	80.0
2211-1000G	1000 ± 50.0	100	500	100
2211-1200G	1200 ± 60.0	120	500	110
2211-1500G	1500 ± 75.0	150	500	130
2211-2000G	2000 ± 100	200	500	156

DASH NUMBER SPECIFICATIONS

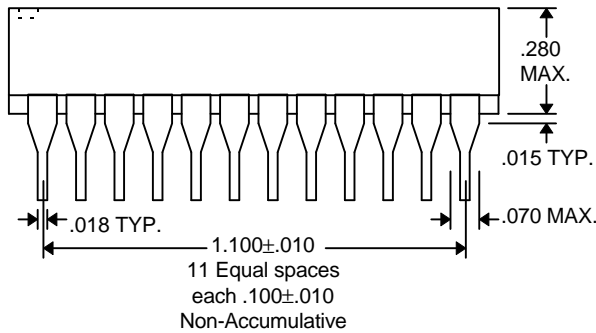
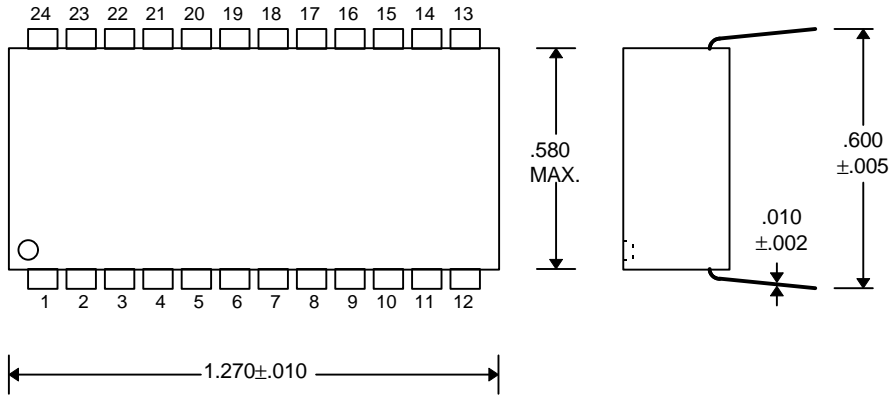
Part Number	T_D (ns)	T_R (ns)	Imped. (Ω)	R_{DC} (Ω)
2211-50A	50.0 ± 2.5	5.0	50	3.2
2211-60A	60.0 ± 3.0	6.0	50	3.6
2211-80A	80.0 ± 4.0	8.0	50	5.0
2211-100A	100 ± 5.0	10.0	50	6.0
2211-150A	150 ± 7.5	15.0	50	6.0
2211-200A	200 ± 10.0	20.0	50	7.0
2211-50B	50.0 ± 2.5	5.0	100	6.0
2211-60B	60.0 ± 3.0	6.0	100	6.0
2211-80B	80.0 ± 4.0	8.0	100	6.5
2211-100B	100 ± 5.0	10.0	100	7.0
2211-150B	150 ± 7.5	15.0	100	8.0
2211-200B	200 ± 10.0	20.0	100	8.5
2211-300B	300 ± 15.0	30.0	100	11.0
2211-400B	400 ± 20.0	40.0	100	12.0

©1997 Data Delay Devices

FUNCTIONAL DIAGRAM

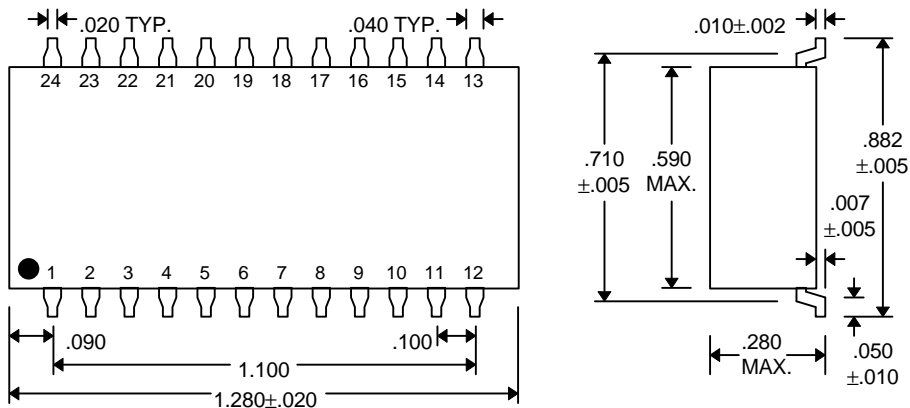


PACKAGE DIMENSIONS



Lead Material:
Nickel-Iron alloy 42
TIN PLATE

DIP (2214-xxz)



Gull-Wing (2214-xxzC4)

PASSIVE DELAY LINE TEST SPECIFICATIONS

TEST CONDITIONS

INPUT:

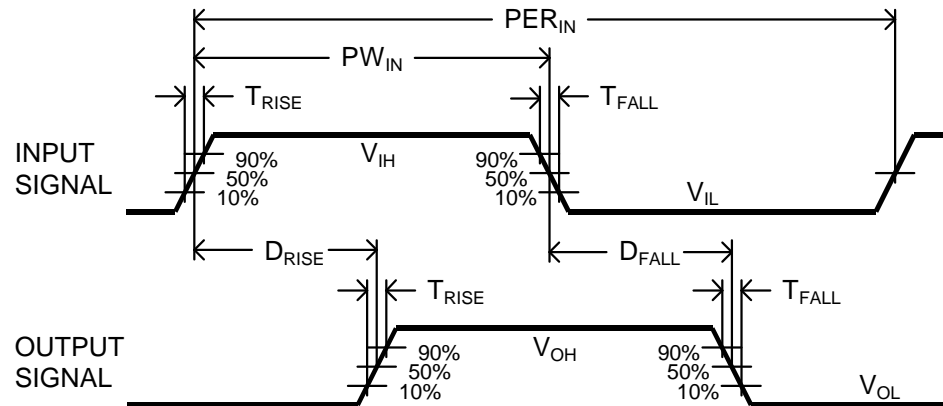
Ambient Temperature: $25^{\circ}\text{C} \pm 3^{\circ}\text{C}$
Input Pulse: High = 3.0V typical
 Low = 0.0V typical
Source Impedance: 50Ω Max.
Rise/Fall Time: 3.0 ns Max. (measured at 10% and 90% levels)

Pulse Width ($T_D \leq 75\text{ns}$): $PW_{IN} = 100\text{ns}$
Period ($T_D \leq 75\text{ns}$): $PER_{IN} = 1000\text{ns}$
Pulse Width ($T_D > 75\text{ns}$): $PW_{IN} = 2 \times T_D$
Period ($T_D > 75\text{ns}$): $PER_{IN} = 10 \times T_D$

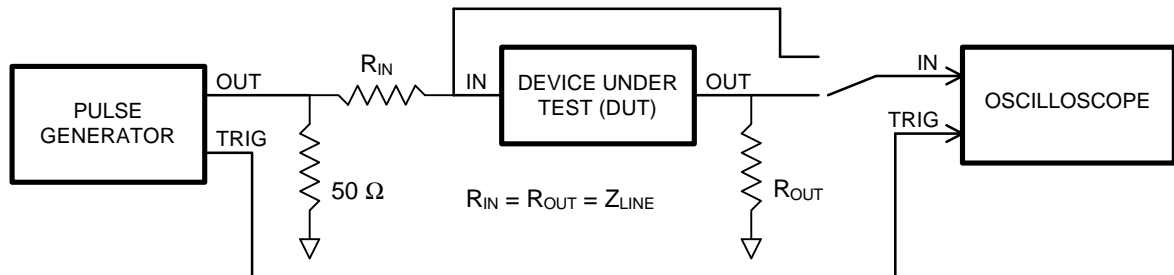
OUTPUT:

R_{load} : 10MΩ
 C_{load} : 10pf
Threshold: 50% (Rising & Falling)

NOTE: The above conditions are for test only and do not in any way restrict the operation of the device.



Timing Diagram For Testing



Test Setup