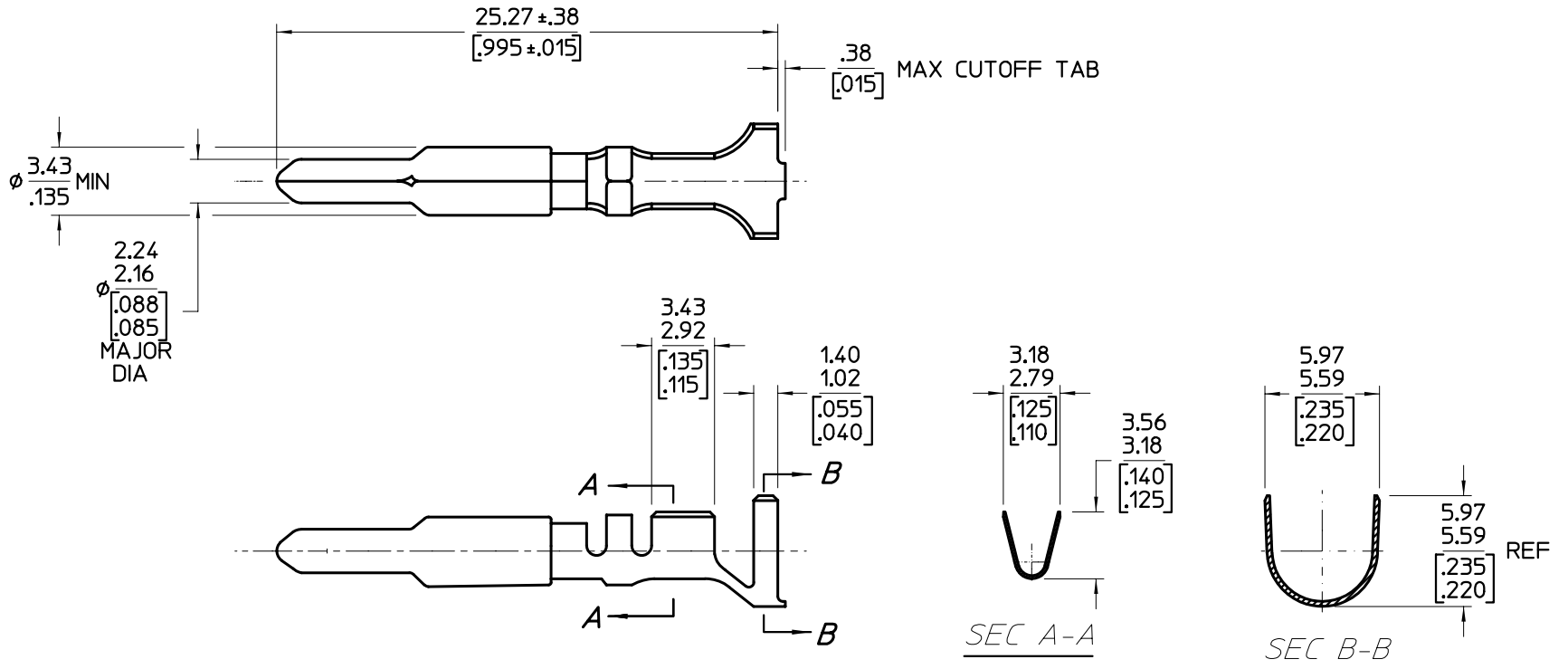


VICOR CONFIDENTIAL

THIS DOCUMENT AND THE DATA DISCLOSED  
HEREIN OR HEREWITH IS NOT TO BE REPRODUCED,  
USED, OR DISCLOSED IN WHOLE OR IN PART  
TO ANYONE WITHOUT PERMISSION OF VICOR CORP.

REV.	DESCRIPTION	DATE	APPROVED
01	DRN- E990450	RCM 3/13/00	DPK



NOTES:

1. MATERIAL: 0.30 [.012] BRASS
2. FINISH: TIN PLATE 0.4-3.5 MICROMETERS THK.
3. WIRE RANGE: 0.5-2mm<sup>2</sup> [20-14 AWG]  
INSULATION RANGE: 3.30-5.08 [.130-.200] DIA.
4. DIMENSIONS IN [BRACKETS] ARE IN INCHES.
5. SUGGESTED VENDOR: AMP PN 770248-1.

DRAWN BY <i>RCM</i>		DATE <i>3/13/00</i>			
UNLESS OTHERWISE SPECIFIED DIMENSIONS ARE IN MM/[INCHES] TOLERANCES ARE: DECIMALS ANGLES .XXX= ±0.13/[.005] ±1°					
THIRD ANGLE PROJECTION 		SIZE B	FSCM NO. 67131	DWG NO. 20689	REV 01
DO NOT SCALE DRAWING		SCALE 4X	SHEET 1 OF 1		