

10FF- 2Z- C4

RELAY SOCKET



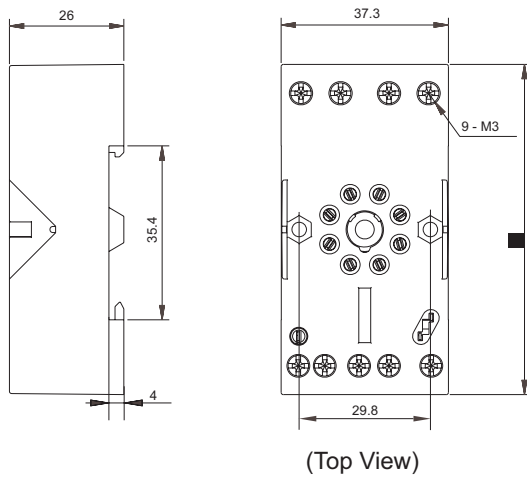
CHARACTERISTICS

Ambient temperature :	-40 °C to 70°C
Rated voltage :	250VAC
Rated current :	10A (per pole)
Insulation voltage (Min.) :	5000VAC
Protection degree DIN40050 :	IP20
Socket material :	PA66+GF V0 (UL)
Contacts spring material :	QSn6.5-0.1
Retainer :	non-available
White plastic tag :	non-available
Modules (on request) :	available
Terminal torque :	0.6 Nm
Wire strip length :	7mm
Applicable relay type:	HF10FF(JQX-10FF) (2 poles) HF10FH(JQX-10FH) (2 poles)

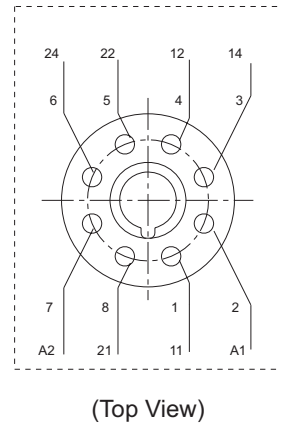
DIMENSIONS, PC BOARD LAYOUT AND WIRING DIAGRAM

Unit: mm

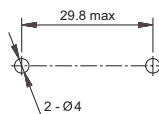
Outline Dimensions



Wiring Diagram



PCB Layout



HONGFA RELAY
ISO9001、ISO/TS16949、ISO14001、OHSAS18001 CERTIFIED

2007 Rev. 1.00