

$I_{F(AV)} = 1 \text{ Amp}$   
 $V_R = 15V$

**Major Ratings and Characteristics**

Characteristics	10BQ015	Units
$I_{F(AV)}$ Rectangular waveform	1.0	A
$V_{RRM}$	15	V
$I_{FSM}$ @tp = 5 $\mu$ s sine	140	A
$V_F$ @ 1.0 Apk, $T_J = 125^\circ\text{C}$	0.32	V
$T_J$ range	- 55 to 125	$^\circ\text{C}$

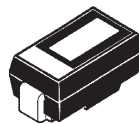
**Description/ Features**

The 10BQ015 surface mount Schottky rectifier has been designed for applications requiring low forward drop and very small foot prints on PC boards. The proprietary barrier technology allows for reliable operation up to 125 $^\circ\text{C}$  junction temperature. Typical applications are in disk drives, switching power supplies, converters, free-wheeling diodes, battery charging, and reverse battery protection.

- 125 $^\circ\text{C}$   $T_J$  operation ( $V_R < 5V$ )
- Optimized for OR-ing applications
- Ultra low forward voltage drop
- High frequency operation
- Guard ring for enhanced ruggedness and long term reliability
- High purity, high temperature epoxy encapsulation for enhanced mechanical strength and moisture resistance

**Case Styles**

10BQ015



SMB



## Voltage Ratings

Part number	10BQ015
V <sub>R</sub> Max. DC Reverse Voltage (V)	15
V <sub>RWM</sub> Max. Working Peak Reverse Voltage (V)	25

## Absolute Maximum Ratings

Parameters	10BQ	Units	Conditions
I <sub>F(AV)</sub> Max. Average Forward Current * See Fig. 5	1.0	A	50% duty cycle @ T <sub>L</sub> = 84 °C, rectangular wave form.
I <sub>FSM</sub> Max. Peak One Cycle Non-Repetitive Surge Current * See Fig. 7	140	A	5µs Sine or 3µs Rect. pulse
	40		10ms Sine or 6ms Rect. pulse
E <sub>AS</sub> Non-Repetitive Avalanche Energy	1.0	mJ	T <sub>J</sub> = 25 °C, I <sub>AS</sub> = 1A, L = 2mH
I <sub>AR</sub> Repetitive Avalanche Current	1.0	A	Current decaying linearly to zero in 1 µsec Frequency limited by T <sub>J</sub> max. V <sub>A</sub> = 1.5 x V <sub>R</sub> typical

## Electrical Specifications

Parameters	10BQ	Units	Conditions
V <sub>FM</sub> Max. Forward Voltage Drop (1) * See Fig. 1	0.35	V	@ 1.0A
	0.44	V	@ 2.0A
	0.32	V	@ 1.0A
	0.40	V	@ 2.0A
I <sub>RM</sub> Max. Reverse Leakage Current (1) * See Fig. 2	0.5	mA	T <sub>J</sub> = 25 °C
	12	mA	T <sub>J</sub> = 100 °C
V <sub>F(TO)</sub> Threshold Voltage	-	V	T <sub>J</sub> = T <sub>J</sub> max.
r <sub>t</sub> Forward Slope Resistance	-	mΩ	
C <sub>T</sub> Typical Junction Capacitance	390	pF	V <sub>R</sub> = 5V <sub>DC</sub> , (test signal range 100KHz to 1MHz) 25°C
L <sub>S</sub> Typical Series Inductance	2.0	nH	Measured lead to lead 5mm from package body
dv/dt Max. Voltage Rate of Change	10000	V/µs	(Rated V <sub>R</sub> )

(1) Pulse Width &lt; 300µs, Duty Cycle &lt; 2%

## Thermal-Mechanical Specifications

Parameters	10BQ	Units	Conditions
T <sub>J</sub> Max. Junction Temperature Range (*)	-55 to 125	°C	
T <sub>stg</sub> Max. Storage Temperature Range	-55 to 150	°C	
R <sub>thJL</sub> Max. Thermal Resistance Junction to Lead (**)	36	°C/W	DC operation (See Fig. 4)
R <sub>thJA</sub> Max. Thermal Resistance Junction to Ambient	80	°C/W	DC operation
wt Approximate Weight	0.10 (0.003)	g (oz.)	
Case Style	SMB		Similar to DO-214AA
Device Marking	IR1C		

(\*)  $\frac{dP_{tot}}{dT_J} < \frac{1}{R_{th(j-a)}}$  thermal runaway condition for a diode on its own heatsink

(\*\*) Mounted 1 inch square PCB

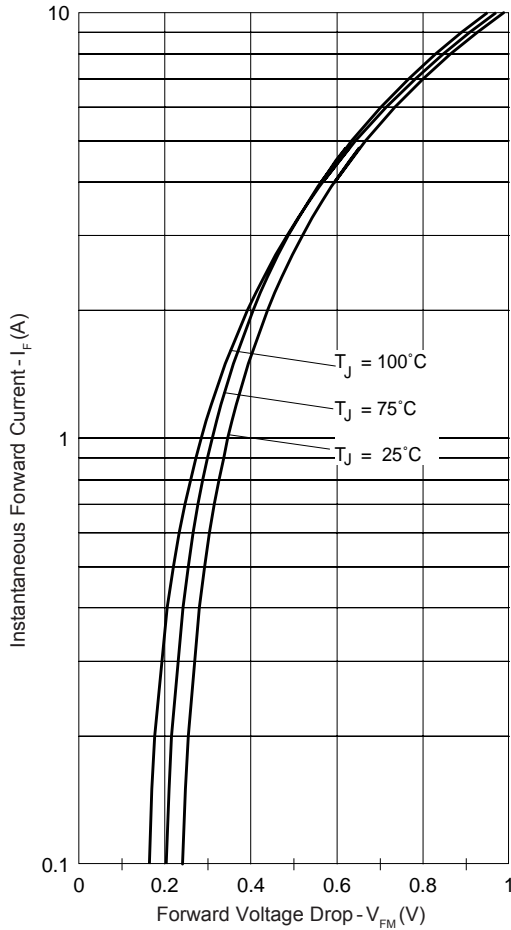


Fig. 1 - Max. Forward Voltage Drop Characteristics

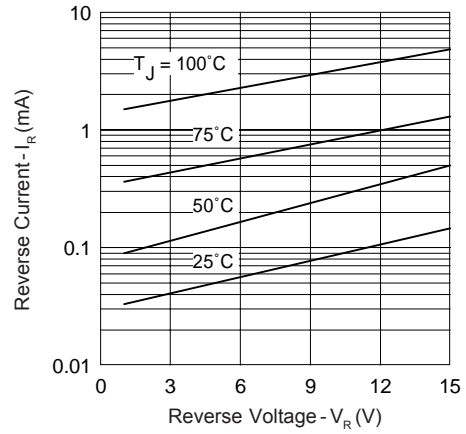


Fig. 2 - Typical Values Of Reverse Current Vs. Reverse Voltage

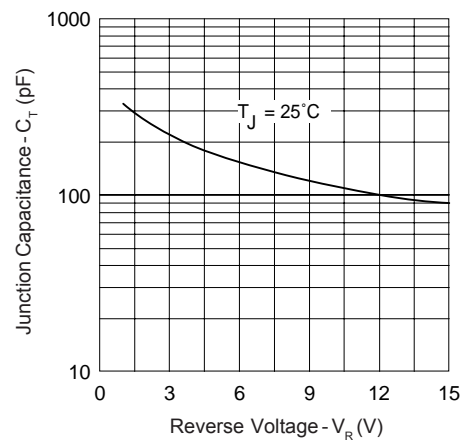


Fig. 3 - Typical Junction Capacitance Vs. Reverse Voltage

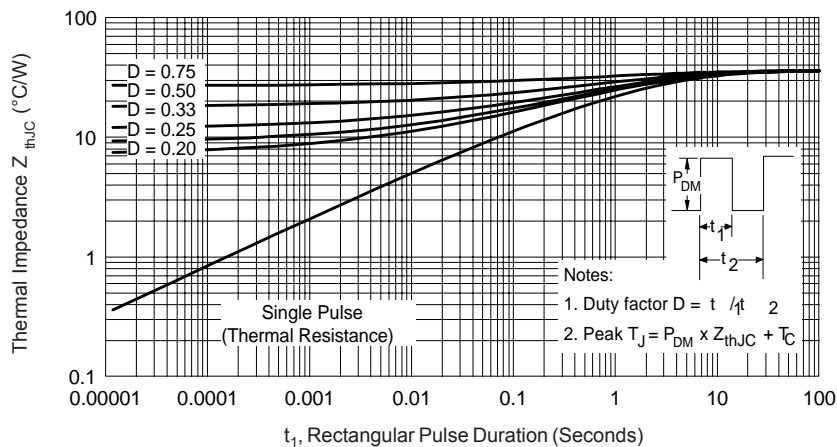
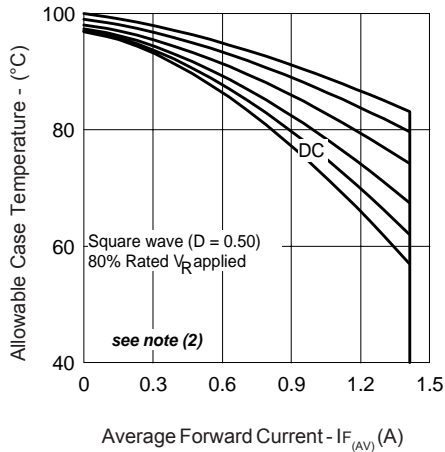
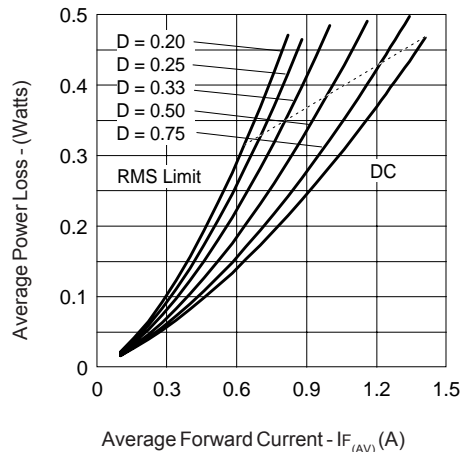


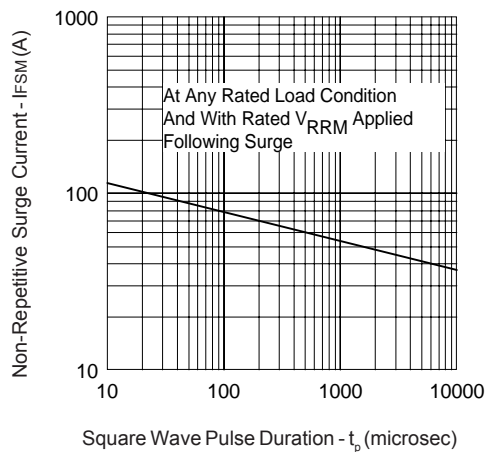
Fig. 4 - Max. Thermal Impedance  $Z_{thJC}$  Characteristics (Per Leg)



**Fig. 5 - Max. Allowable Case Temperature Vs. Average Forward Current**



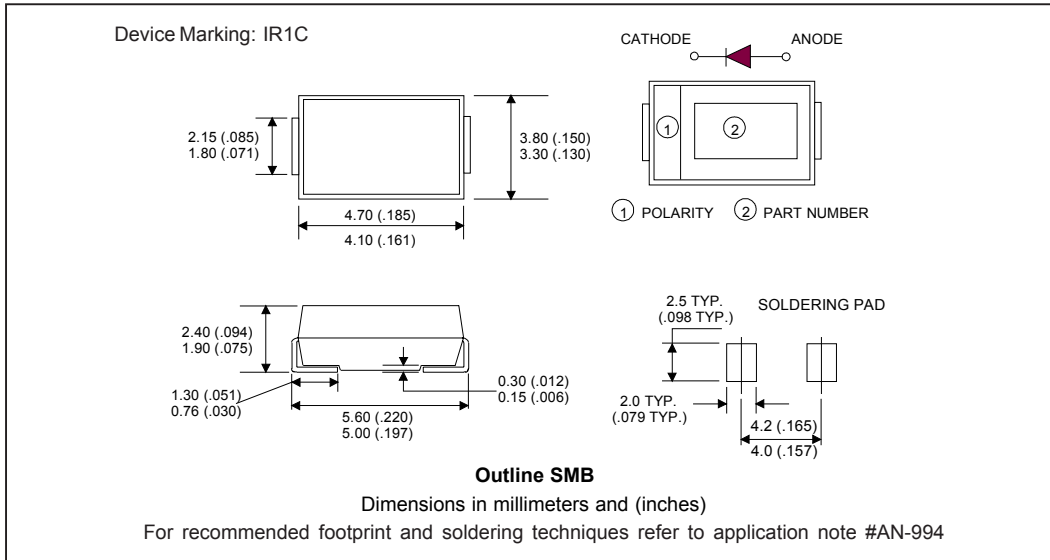
**Fig. 6 - Forward Power Loss Characteristics**



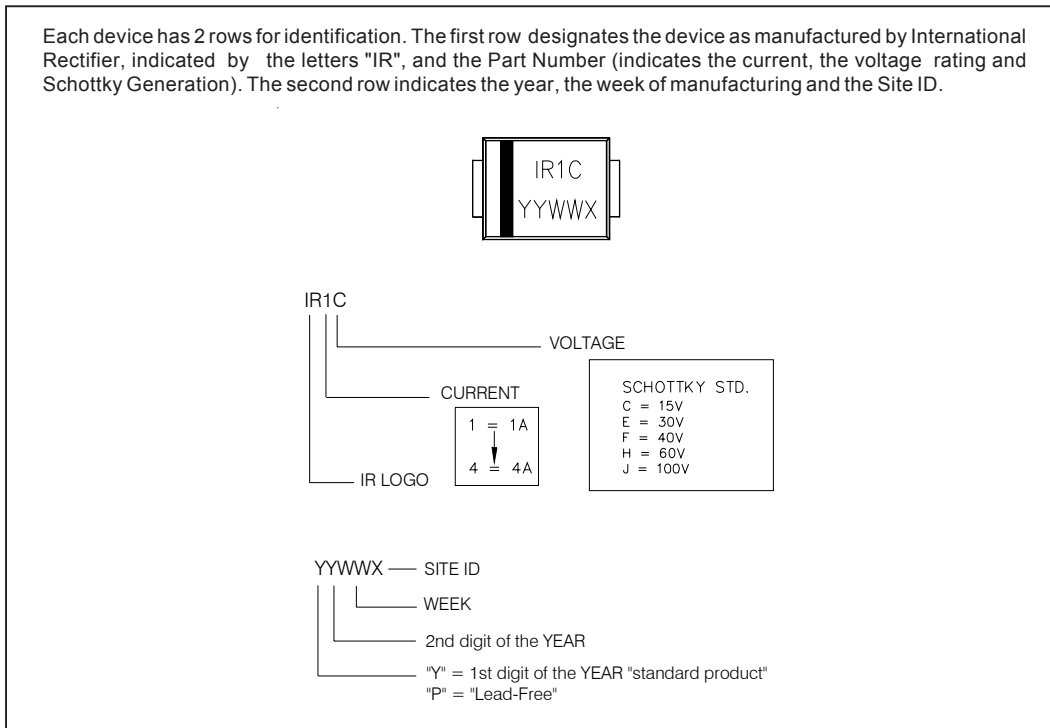
**Fig. 7 - Max. Non-Repetitive Surge Current**

(2) Formula used:  $T_C = T_J - (Pd + Pd_{REV}) \times R_{thJC}$ ;  
 $Pd$  = Forward Power Loss =  $I_{F(AV)} \times V_{FM} @ (I_{F(AV)} / D)$  (see Fig. 6);  
 $Pd_{REV}$  = Inverse Power Loss =  $V_{R1} \times I_R (1 - D)$ ;  $I_R @ V_{R1} = 80\%$  rated  $V_R$

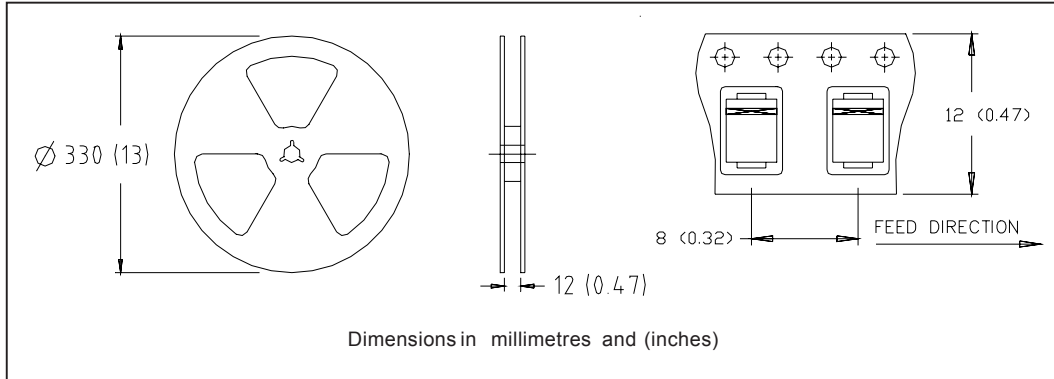
Outline Table



Marking & Identification



Tape & Reel Information



Ordering Information Table

Device Code					
<b>10</b>	<b>B</b>	<b>Q</b>	<b>015</b>	<b>TR</b>	<b>-</b>
①	②	③	④	⑤	⑥
<b>1</b>	- Current Rating				
<b>2</b>	- B = Single Lead Diode				
<b>3</b>	- Q = Schottky Q Series				
<b>4</b>	- Voltage Rating (015 = 15V)				
<b>5</b>	- • none = Box (1000 pieces) • TR = Tape & Reel (3000 pieces)				
<b>6</b>	- • none = Standard Production • PbF = Lead-Free				

Data and specifications subject to change without notice.  
This product has been designed and qualified for Industrial Level.  
Qualification Standards can be found on IR's Web site.