

## FEATURES

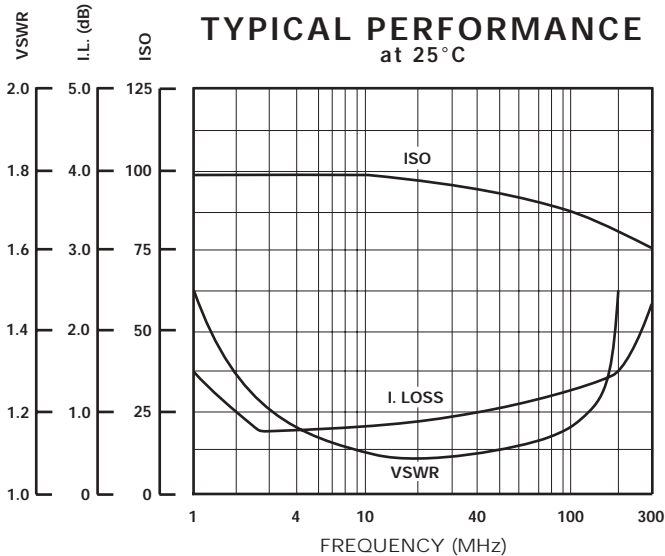
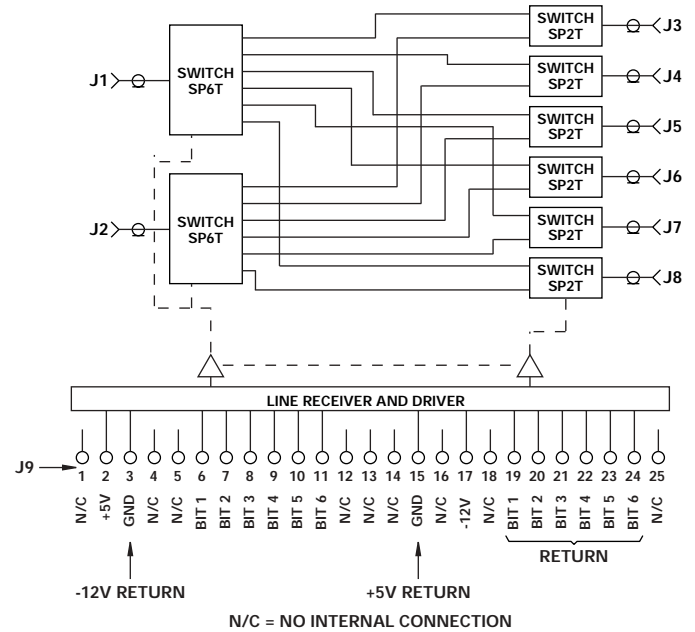
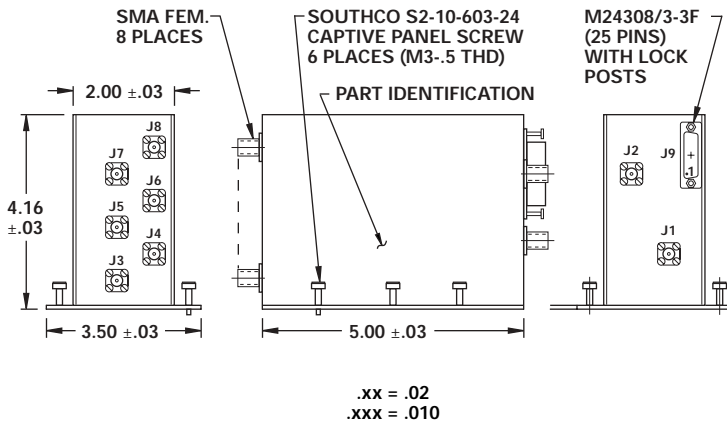
- 27 - 33 MHz
- 1.0 dB Insertion Loss
- 93 dB Isolation
- 25 mV Transients
- Blocking Matrix

HDI



MODEL NO.  
100C1739

(2x6) Switch Matrix



## GUARANTEED PERFORMANCE

Parameter	Min	Typ	Max	Units	Conditions
Operating Frequency	27		33	MHz	
DC Current		130	200	mA	At +5 VDC Supply
		14	25	mA	To -12 VDC Supply
Control Type		RS-422-A			6 Line Differential Line Receiver See Truth Table
Insertion Loss		1.0	2.2	dB	
Isolation	80	93		dB	Between the 6 Outputs J3-J8
VSWR		1.1/1	1.3/1		
Impedance		50		OHMS	
Switching Speed		2.3	4	µSec	50% CTL - 10% / 90% RF
Transition (Rise/Fall) Time		1.0		µSec	10% / 90% to 90% / 10% RF
Switching (Video) Transients		25	60	mV	Peak to Peak
Intercept Points	2nd	+70		dBm	70 MHz / 50 MHz
	3rd	+46		dBm	35 MHz / 50 MHz
RF Power	Operate	+21	+10	dBm	0.1 dB Compression
	No Damage		+15	dBm	
Operating Temperature	0	+25	+70	°C	TA