

FEATURES

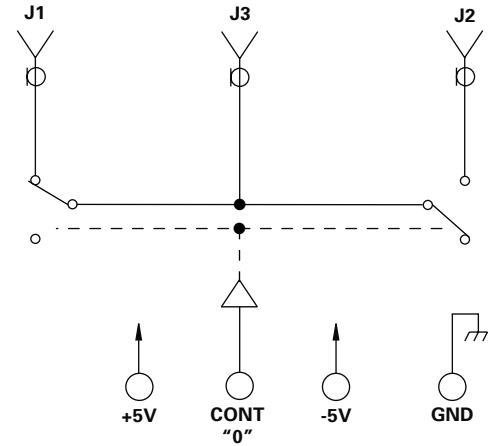
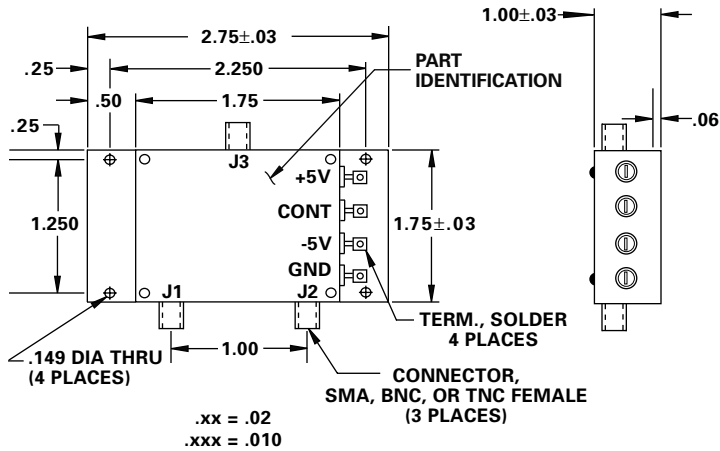
- 100 - 1400 MHz
- 0.5 dB Insertion Loss
- 20 Watts CW
- TTL Driver
- SMA, BNC or TNC Connectors



**MODEL NO.
100C1032**

Medium Power PIN Diode SP2T

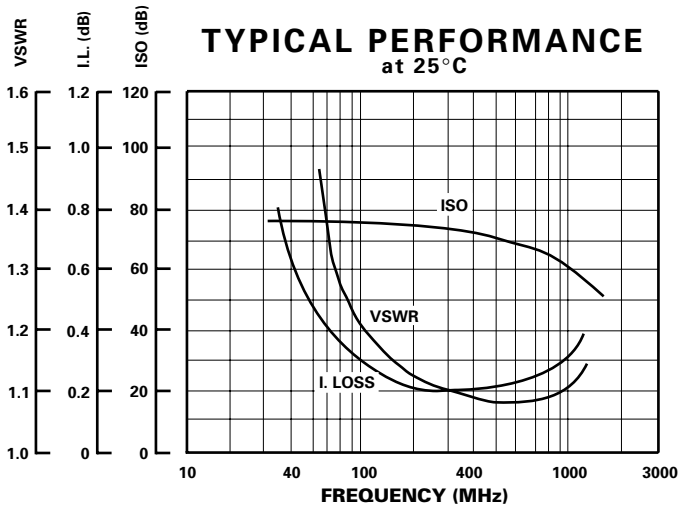
SP2T



PART NO. EXAMPLE
100C1032 - SMA
SPECIFY CONNECTOR TYPE
BASIC PART NUMBER

GUARANTEED PERFORMANCE

Parameter	Min	Typ	Max	Units	Conditions
Operating Frequency	100		1400	MHz	
DC Current				mA	See Table
Control Type		TTL			1 Line Logic "0" = J3 - J1 Logic "1" = J3 - J2
Control Current			80 -3.2	μA mA	V _{IH} = +2.7V V _{IL} = +0.4V
Insertion Loss		.38	0.5	dB	
Isolation	60 40	70 50		dB	100 - 500 MHz 500 - 1400 MHz
VSWR		1.14/1	1.3/1		
Impedance		50		OHMS	
Switching Speed			10	μSEC	50% TTL to 90% / 10% RF
RF Power			20	W	CW
Operating Temperature	-55	+25	+85	°C	TA



CURRENT TABLE	
LOGIC "1"	
+5V	AT 30 mA
-5V	AT 160 mA
LOGIC "0"	
+5V	AT 160 mA
-5V	AT 0mA