

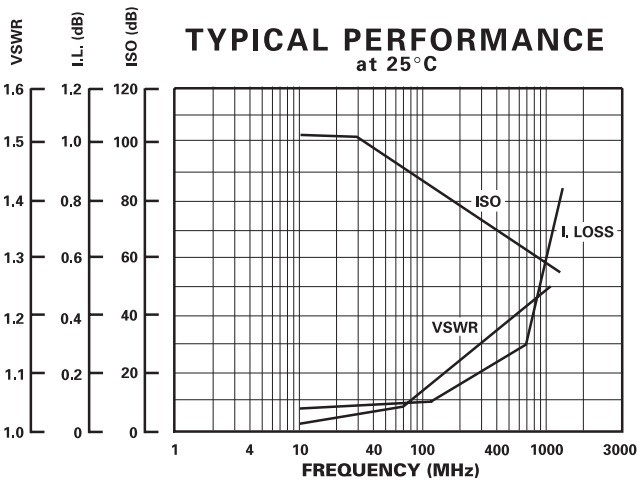
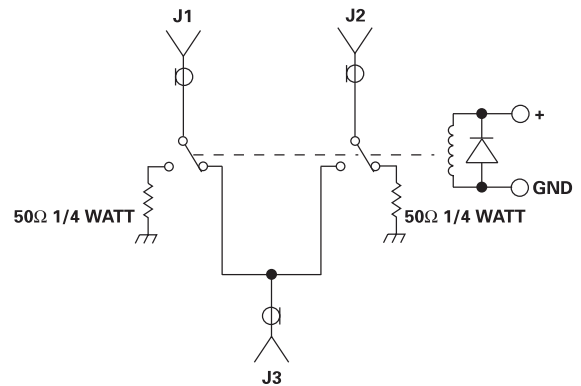
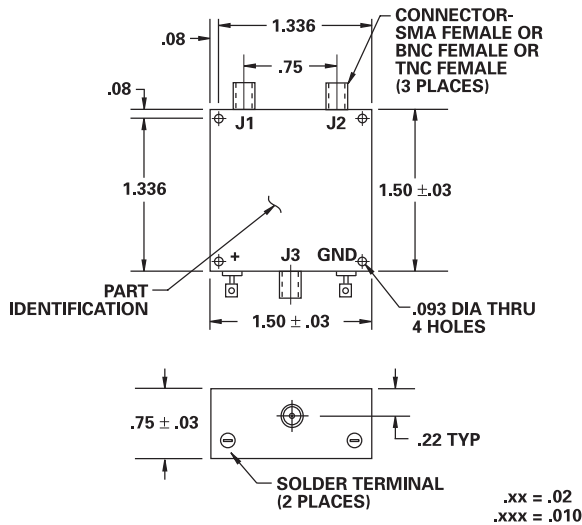
MODEL NUMBER 100C1003

SP2T Relay

FEATURES

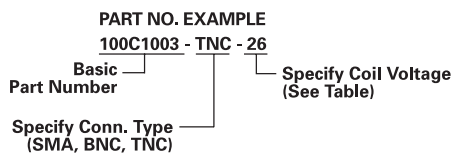
- DC - 1250 MHz
- 30 Watts CW
- Non-Reflective
- SMA, BNC or TNC Connectors

SP2T



GUARANTEED PERFORMANCE

Parameter	Min	Typ	Max	Units	Conditions
Operating Frequency	DC		1250	MHz	
DC Voltage					See Table
Insertion Loss		0.1	0.2	dB	DC - 150 MHz
		0.25	0.35	dB	150 - 400 MHz
		0.7	1.0	dB	400 - 1250 MHz
Isolation	75	85		dB	DC - 150 MHz
	60	70		dB	150 - 400 MHz
	45	55		dB	400 - 1250 MHz
VSWR	Thru	1.07/1	1.15/1		DC - 150 MHz
		1.15/1	1.2/1		150 - 400 MHz
		1.25/1	1.5/1		400 - 1250 MHz
Impedance		50		OHMS	
Switching Speed			5	mSEC	
RF Power			+30	W	CW
Operating Temperature	-54	+25	+71	°C	TA



Voltage	Current - Typical
6	195 mA
12	96 mA
18	63 mA
26	51 mA