

**OBSOLETE PRODUCT
NO RECOMMENDED REPLACEMENT**
contact our Technical Support Center at
1-888-INTERSIL or www.intersil.com/tsc

HFA5250

500MHz, Ultra High Speed Monolithic Pin Driver

Features

- High Digital Data Rate 500MHz
- Very Fast Slew Rate 2500V/ μ s
- Very Fast Rise/Fall Times 600ps
- Wide Output Range +7V to -2V
- Precise 50 Ω Output Impedance
- High Impedance, Three-State Output Control

Applications

- IC Tester Pin Electronics
- Pattern Generators
- Pulse Generators
- Built-In Test Equipment (BITE)
- Level Comparator/Translator

Description

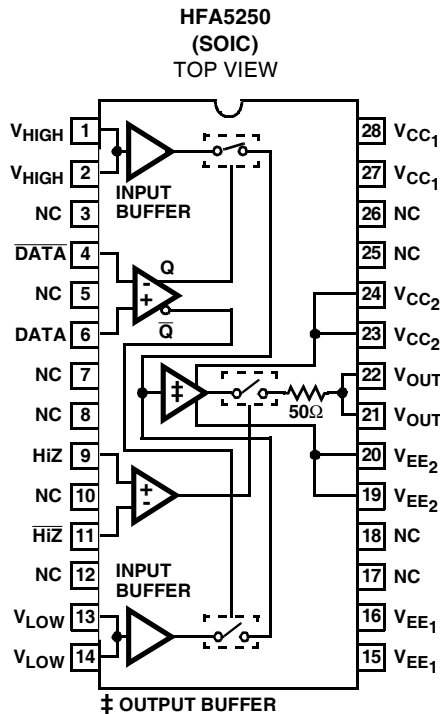
The HFA5250 is the ideal monolithic pin driver solution for high performance test systems. The device will switch at high data rates between two input voltage levels providing variable amplitude pulses. The output impedance is trimmed to achieve a precision 50 Ω source for impedance matching. Two differential ECL/TTL compatible inputs control the operation of the HFA5250, one controlling the V_{HIGH}/V_{LOW} switching and the other controlling the output's high-impedance state. The HFA5250's 500MHz data rate makes it compatible with today's high speed VLSI test systems and the +7V to -2V output swing allows testing of all common logic families.

The HFA5250 is manufactured in the Intersil proprietary complementary bipolar process.

Part Number Information

PART NUMBER	TEMP. RANGE (°C)	PACKAGE	PKG. NO.
HFA5250CB	0 to 50 Without Air Flow	28 Ld SOIC	M28.3
	0 to 70 With 400lfpm Air Flow		

Pinout



NOTE: Switches Shown in the "1" State.

HFA5250

Absolute Maximum Ratings

Supply Voltage	17V
Differential Input Voltage	5V
Continuous Output Current	160mA (Note 1)

Operating Conditions

Temperature Range	0°C to 70°C
-----------------------------	-------------

Thermal Information

Thermal Resistance (Typical, Note 2)	θ_{JA} (°C/W)	θ_{JC} (°C/W)
SOIC Package	70	55
Maximum Package Power Dissipation		
SOIC Package with Still Air at 50°C	1.43W	
SOIC Package with 400lfpm Air at 70°C	1.45W	
Maximum Junction Temperature (Plastic Package)	150°C	
Maximum Storage Temperature Range	-65°C to 150°C	
Maximum Lead Temperature (Soldering 10s)	300°C	
(SOIC - Lead Tips Only)		

CAUTION: Stresses above those listed in "Absolute Maximum Ratings" may cause permanent damage to the device. This is a stress only rating and operation of the device at these or any other conditions above those indicated in the operational sections of this specification is not implied.

NOTES:

1. Internal Power Dissipation may limit Output Current below 160mA.
2. θ_{JA} is measured with the component mounted on an evaluation PC board in free air.

Electrical Specifications $V_{CC} = +10V, V_{EE} = -5.2V$, Unless Otherwise Specified

PARAMETER	TEST CONDITIONS	TEMP. (°C)	MIN	TYP	MAX	UNITS
INPUT CHARACTERISTICS (V_{HIGH}, V_{LOW})						
V_{HIGH} Input Offset Voltage	$V_{HIGH} = 0$	25	-200	-100	30	mV
V_{LOW} Input Offset Voltage	$V_{LOW} = 0$	25	-200	-100	30	mV
V_{HIGH} Input Bias Current	$V_{HIGH} = 5V$	25	-150	50	250	μA
V_{LOW} Input Bias Current	$V_{LOW} = 0V$	25	-350	-100	150	μA
V_{HIGH} Voltage Range	Note 6	25	-2.6	-	7.5	V
		25	$V_{EE}+2.6$	-	$V_{CC}-2.5$	V
V_{LOW} Voltage Range	Note 6	25	-2.7	-	7.4	V
		25	$V_{EE}+2.5$	-	$V_{CC}-2.6$	V
V_{HIGH} to V_{LOW} Differential Voltage Range		25	0.2	-	10.2	V
Input Resistance	$V_{IN} = -2V$ to $7V$	25	-	10	-	k Ω
Input Capacitance		25	-	5	-	pF
Input Noise Voltage	10Hz to 1MHz	25	-	20	-	μV_{P-P}
LOGIC INPUT CHARACTERISTICS (\overline{Data} , \overline{Data} , HiZ, \overline{HiZ})						
Input Offset Voltage		25	-	± 250	-	mV
Input Voltage Range	Note 6	25	-2.0	-	7.0	V
		25	$V_{EE}+3.2$	-	$V_{CC}-3.0$	V
Input High Current	$V_{IH} = 0V, V_{IL} = -2V$	25	-25	50	200	μA
Input Low Current	$V_{IH} = 0V, V_{IL} = -2V$	25	-400	-150	25	μA
Common Mode Input Resistance	$V_{CM} = -2V$ to $7V$	25	-	1	-	M Ω
Differential Input Resistance	$V_{DIFF} = 0V$ to $5V$	25	-	100	-	k Ω
Input Capacitance		25	-	3	-	pF
TRANSFER CHARACTERISTICS						
V_{HIGH}/V_{LOW} Voltage Gain	$V_{HIGH}, V_{LOW} = 0V$ to $5V$	25	0.95	0.97	1.0	V/V
V_{HIGH}/V_{LOW} Linearity Error	$V_{HIGH}, V_{LOW} = 0V$ to $5V$, FS = 5V	25	-0.5	± 0.2	0.5	%
V_{HIGH}/V_{LOW} Linearity Error	$V_{HIGH}, V_{LOW} = -2V$ to $7V$, FS = 9V	25	-1.2	± 0.6	1.2	%
V_{HIGH}/V_{LOW} -3dB Bandwidth	200mV $_{P-P}$	25	-	500	-	MHz
SWITCHING CHARACTERISTICS ($Z_{LOAD} = 10$ Inches of RG-58, $V_{HIGH} = 3V, V_{LOW} = 0V, V_{DATA} = -1.8V$ to $-1.0V$, Measured 50% to 50% pts)						
Propagation Delay	Note 3	25	-	2	-	ns
Propagation Delay Jitter, 1 Sigma		25	-	30	-	ps
Propagation Delay Match (Rising vs Falling Edge)	Note 3	25	-	150	-	ps

HFA5250

Electrical Specifications $V_{CC} = +10V$, $V_{EE} = -5.2V$, Unless Otherwise Specified (Continued)

PARAMETER	TEST CONDITIONS	TEMP. (°C)	MIN	TYP	MAX	UNITS
Propagation Delay vs Duty Cycle	2.5% to 97.5%, 200ns Period	25	-	±100	-	ps
Active to HiZ Delay	Measured 50% to 10% Points	25	-	3.0	-	ns
HiZ to Active Delay	Measured 50% to 10% Points	25	-	3.5	-	ns
Data Rate	1V _{p-p} , 50% Duty Cycle, 90% Amplitude	25	-	500	-	MHz
TRANSIENT RESPONSE ($Z_{LOAD} = 16$ Inches of RG-58 Terminated with 5pF)						
Slew Rate	-1V to +6V	25	-	2500	-	V/μs
Rise/Fall Time	1V _{p-p} , 20%-80%	25	-	600	-	ps
Rise/Fall Time	3V _{p-p} , 10%-90%	25	-	1.2	-	ns
Rise/Fall Time	5V _{p-p} , 10%-90%	25	-	1.8	2.25	ns
Rise/Fall Time Match	Note 3	25	-	-	200	ps
Overshoot/Undershoot/Preshoot	3V _{p-p}	25	-	5	-	%
Data Settling Time 1%	Note 4	25	-	7	-	ns
V_{HIGH}/V_{LOW} Settling Time 1%	Note 4	25	-	12	-	ns
OUTPUT CHARACTERISTICS						
Output Voltage Swing, No Load	Note 6	25	-2	-	7	V
		25	$V_{EE}+3.2$	-	$V_{CC}-3.0$	V
Output Voltage Swing	$R_L = 50\Omega$	25	-1	-	3.5	V
Output Resistance	Active (-2V to 7V)	25	49	50	51	Ω
Output Resistance	HiZ (-2V to 7V)	25	-	10	-	MΩ
HiZ Output Voltage Compliance	Note 6	25	-2	-	7	V
		25	$V_{CC}-12.0$	-	$V_{EE}+12.2$	V
Output Leakage	HiZ (-2V to 7V)	25	-1	-	1	μA
Output Capacitance	HiZ	25	-	5	-	pF
POWER SUPPLY CHARACTERISTICS						
V_{HIGH} Power Supply Rejection Ratio (Note 5)		25	28	-	-	dB
V_{LOW} Power Supply Rejection Ratio (Note 5)		25	28	-	-	dB
Data/HiZ Power Supply Rejection Ratio		25	-	22	-	dB
Total Supply Current		25	85	90	95	mA
I_{CC1}/I_{EE1} Supply Current		25	-	65	-	mA
I_{CC2}/I_{EE2} Supply Current		25	-	25	-	mA
Supply Voltage Range	$V_{CC} - V_{EE}$	25	10	-	15.2	V
Power Dissipation	$V_{CC} = 10V$, $V_{EE} = -5.2V$, No Load	25	-	-	1.44	W

NOTES:

3. 3V Step, 50% duty cycle, 200ns period.
4. 3V Step, measured from 50% of input to ±1% of final value, final value is at 50ns.
5. $V_{HIGH} = 2.6V$, $V_{LOW} = 2.4V$, $V_{CC} = 9V$ to $10V$, $V_{EE} = -4.2V$ to $-5.2V$.
6. Operation above total supply voltage of 15.2V is not recommended. See specification under Power Supply Characteristics.

HFA5250

Die Characteristics

DIE DIMENSIONS:

1990 μm x 1530 μm x 525 μm

PASSIVATION:

Nitride, 4k \AA \pm 0.5k \AA

METALLIZATION:

Type: Metal 1: AlCu(2%)/TiW

Thickness: Metal 1: 8k \AA \pm 0.4k \AA

Type: Metal 2: AlCu(2%)

Thickness: Metal 2: 16k \AA \pm 0.8k \AA

Metallization Mask Layout

