

Subminiature Automotive PCB Power Relay

PC635



FEATURES

- Subminiature design
- 1C (SPDT) and 1U (SPST-NO DM) contact forms available
- Contact switching capacity up to 30 Amps
- Low Coil power consumption
- 85 degrees C operating temperature
- Industry standard 1/2 size terminal layout
- Sealed, immersion cleanable

CONTACT RATINGS

Contact Form	1 Form A or 1 Form C SPST NO or SPDT
Max Switching Current	Make 30 Amps
	Break 20 Amps
Max. Switching Voltage	16 VDC
Max. Continuous Current	30 A at 20 degrees C for 1 hr.
Minimum Load	0.1 A @ 12 VDC

CONTACT DATA

Material	AgCdO (Silver Cadmium Oxide) AgSnO (Silver Tin Oxide)	
Initial Contact Resistance	100 milliohms max @ 0.1A, 6VDC	
Service Life	Mechanical	1 X 10 ⁷ Operations
	Electrical	1 X 10 ⁵ Operations

CHARACTERISTICS

Operate Time	10 ms. typical
Release Time	5 ms. typical
Insulation Resistance	100 megohms min, at 500VDC, 50%RH
Dielectric Strength	1250 Vrms, 1 min. between coil and contacts
Shock Resistance	10 g, 11ms, functional; 100 g, destructive
Vibration Resistance	DA 1.5 mm, 10 - 55 Hz
Drop Resistance	1 Meter height drop on concrete
Power Consumption	0.69 W
Ambient Temperature Range	-30 to 85 degrees C operating, -40 to 100 storage
Weight	6 grams approx.

ORDERING INFORMATION

Example:	PC635	-1C	-12	F	-G
Model:					
Contact Form: 1C or 1U					
Coil Voltage:					
Enclosure: S: Sealed, C: Dust Cover					
Contact Material: Nil: AgCdO, T: AgSnO					

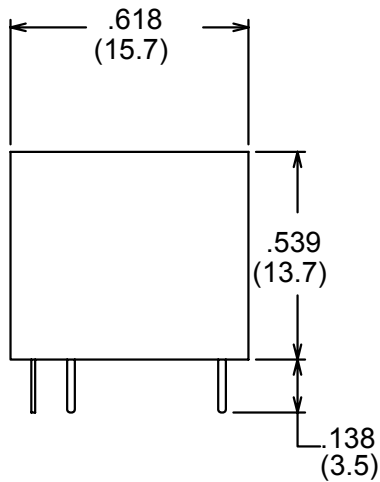
COIL DATA

Coil Voltage	Resistance ohms \pm 10%	Must Operate Voltage Max. (VDC)	Must Release Voltage Min. (VDC)	Continuous Voltage Max. (VDC)
12	210	7.3	0.9	16.0

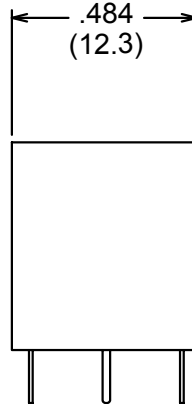
Note: Custom coil voltages are available on special order.

**Dimensions in Inches (millimeters)
Drawings are 2X actual size**

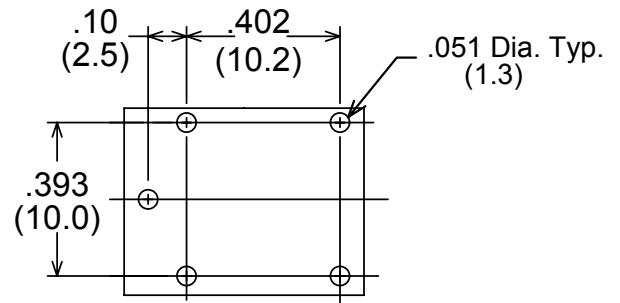
Side View



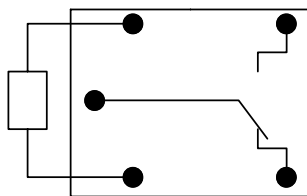
End View



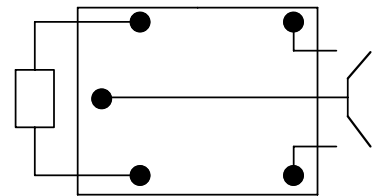
**Bottom View
PC Board Layout**



**Wiring Diagram
1 Form C**



**Wiring Diagram
1 Form U**



Notes:

Tolerances \pm .010 unless otherwise noted



3220 Commander Drive, Suite 102, Carrollton, Texas 75006

Sales: Call Toll Free (888) 997-3933 Fax (818) 342-5296 email: pickerwest@sbcglobal.net URL: pickercomponents.com