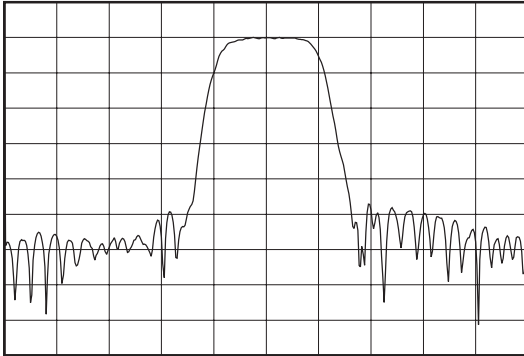
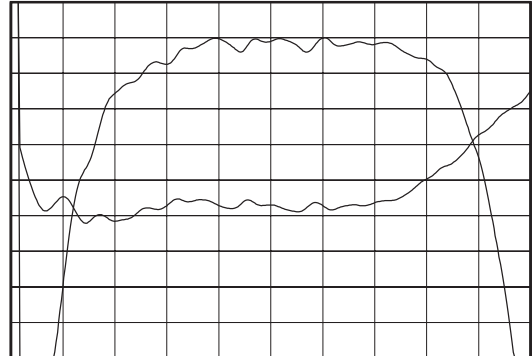


Data Sheet

Typical Performance



Horizontal: 1.5 MHz/Div
Vertical: 10 dB/Div

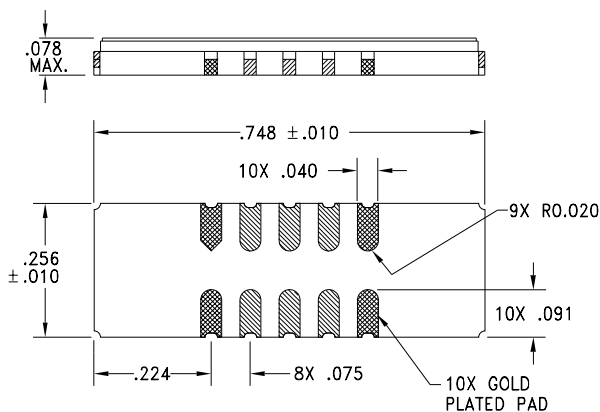


Horizontal: 350 kHz/Div
Vertical: 1 dB/Div
Vertical: 10 deg/Div

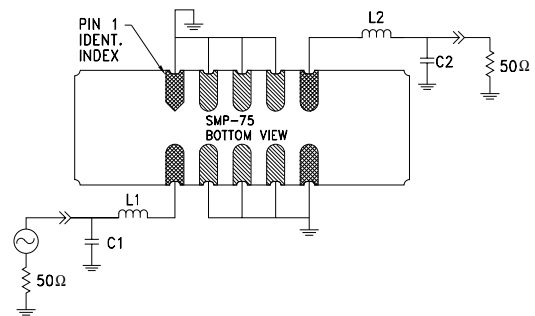
Specifications

Parameter	Unit	Minimum	Typical	Maximum
Center Frequency	MHz	69.88	70	70.12
Insertion Loss at F_o	dB	-	8.75	9.25
1 dB Bandwidth	MHz	2	2.2	-
3 dB Bandwidth	MHz	2.5	2.59	-
40 dB Bandwidth	MHz	-	4.6	5.1
Passband Ripple	dB	-	0.65	1
Phase Linearity (70% of 3 dB Bandwidth)	deg	-	5.65	9
Group Delay Variation (70% of 3 dB Bandwidth)	nsec	-	240	400
Absolute Delay	usec	-	2.22	-
Substrate Material	-	-	LiTaO ₃	-
Temperature Coefficient	ppm/°C	-	-23	-
Ambient Temperature	°C	-	25	-

Package Outline



Matching Configuration



L1 = 150nH, L2 = 150nH
C1 = 100pF, C2 = 47pF
Nominal Source/Load Impedance = 50Ω
Package Style SMP-75

11/24/99