



Ultra Low Cost 3-Pin Microprocessor Reset

Description

The V6340 monitors the supply voltage of any electronic system, and generates the appropriate Reset signal. The threshold must be chosen to the minimum allowed voltage which guarantees the good functionality of the system. As long as V_{DD} stays upside this voltage level, the output stays inactive. If V_{DD} drops below V_{TH} , the output gets active. The threshold voltage may be obtained in different versions: 2.6V, 3.0V, 3.7V and 4.4V.

Features

- SOT-23 and TO-92 package
- Reset output state guaranteed down to $V_{DD} = 1V @ 25^{\circ}C$
- Low supply current: stays stable during switching
 - versions B, N, N: typ. $19\mu A$ at $V_{DD} = 5V$
 - other versions: typ. $38\mu A$ at $V_{DD} = 5V$
- $\pm 2.5\%$ voltage threshold accuracy
- High noise immunity
- No external components required
- Push-pull or Open drain output
- Pin compatible with MAX 809 in SOT-23, by appropriate layout on PCB
- Pin compatible with MC 33164 in TO-92
- TTL output compatibility

Applications

Applications needing a voltage detection:

- Computer electronics
- White / Brown goods
- Automotive electronics
- Industrial electronics
- Telecom systems
- Hand-held systems

Typical Operating Configuration

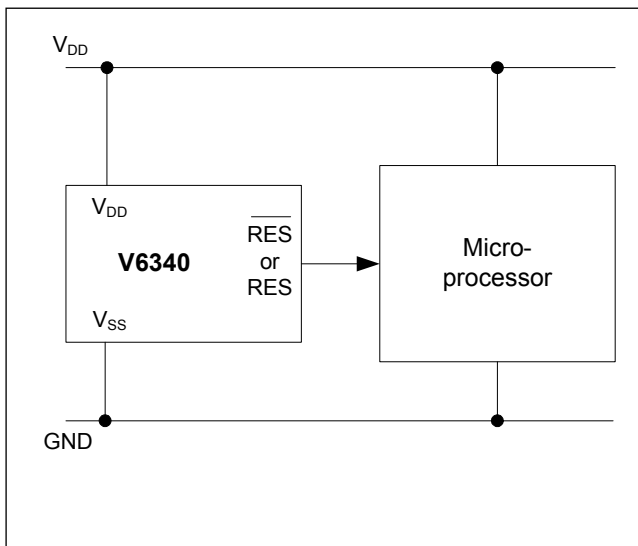


Fig. 1

Pin Assignment

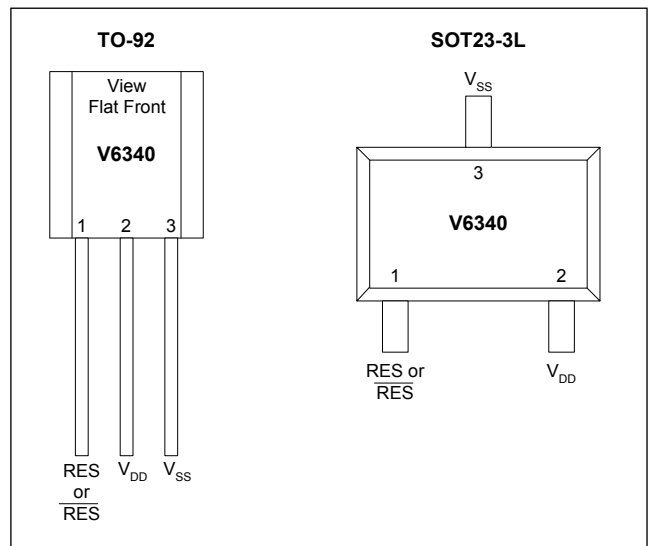


Fig. 2

Absolute Maximum Ratings

Parameter	Symbol	Conditions
Voltage at V_{DD} to V_{SS}	V_{DD}	-0.3V to +8V
Minimum voltage at RES or \overline{RES}	V_{min}	$V_{SS} - 0.3V$
Maximum voltage at RES or \overline{RES}	V_{max}	$V_{DD} + 0.3V$
Storage Temperature Range	T_{STO}	-65°C to +150°C

Table 1

Stresses above these listed maximum ratings may cause permanent damages to the device. Exposure beyond specified operating conditions may affect device reliability or cause malfunction.

Handling Procedures

This device has built-in protection against high static voltages or electric fields; however, it is advised that normal precautions be taken as for any other CMOS component. Unless otherwise specified, proper operation can only occur when all terminal voltages are kept within the voltage range.

Operating Conditions

Parameter	Symbol	Min	Max	Unit
Operating Temperature ¹⁾	T_A	-40	+125	°C
Positive Supply Voltage ²⁾	V_{DD}	1	5.5	V

Table 2

¹⁾The maximum operating temperature is confirmed by sampling at initial device qualification. In production, all devices are tested at +25°C

²⁾ $V_{DD} = 1V$ guaranteed at +25°C (see Fig. 14 for more information)

Electrical Characteristics

$T_A = +25^\circ\text{C}$, unless otherwise specified

Parameter	Symbol	Test Conditions	Min.	Typ.	Max.	Unit
Supply current	I_{DD}	$V_{DD} = 5V$, output open		38	50	μA
Threshold voltage	V_{TH}	C, I, O	2.94	3.02	3.10	V
	V_{TH}	D, J, P	3.62	3.72	3.82	V
	V_{TH}	F, L, R	4.27	4.39	4.51	V
Threshold hysteresis	V_{HYS}			5		mV
RES Output Low Level	V_{OL}	$V_{DD} = 1.6V, I_{OL} = 1mA$		200	270	mV
	V_{OL}	$V_{DD} = 2.5V, I_{OL} = 2mA$		195	250	mV
	V_{OL}	$V_{DD} = 3.5V, I_{OL} = 3mA$		198	250	mV
	V_{OL}	$V_{DD} = 5V, I_{OL} = 4mA$		185	250	mV
RES Output High Level	V_{OH}	$V_{DD} = 1.6V, I_{OH} = -1mA$	1.25	1.36		V
	V_{OH}	$V_{DD} = 2.5V, I_{OH} = -1.5mA$	2.2	2.3		V
	V_{OH}	$V_{DD} = 3.5V, I_{OH} = -2.5mA$	3.15	3.27		V
	V_{OH}	$V_{DD} = 5V, I_{OH} = -3.5mA$	4.65	4.76		V
Output leakage current ¹⁾	I_{LEAK}	$V_{DD} = 5V$		0.005	1	μA

Only for version B, H and N

Parameter	Symbol	Test Conditions	Min.	Typ.	Max.	Unit
Supply current	I_{DD}	$V_{DD} = 5V$, output open		19	31	μA
Threshold voltage	V_{TH}	B, H, N	2.56	2.65	2.74	V
Threshold hysteresis	V_{HYS}			32		mV

Table 3

¹⁾ Only for Open drain versions

Timing Waveform

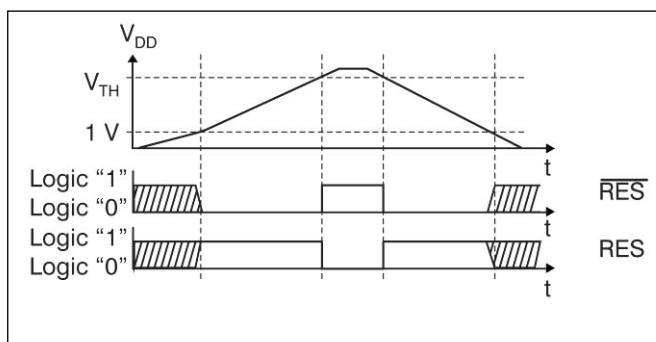


Fig.3

Block Diagram

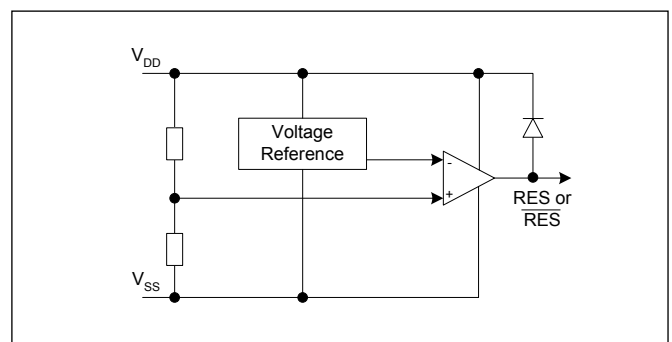
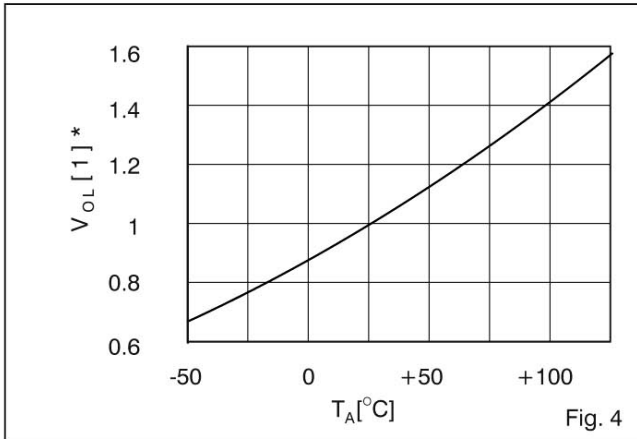


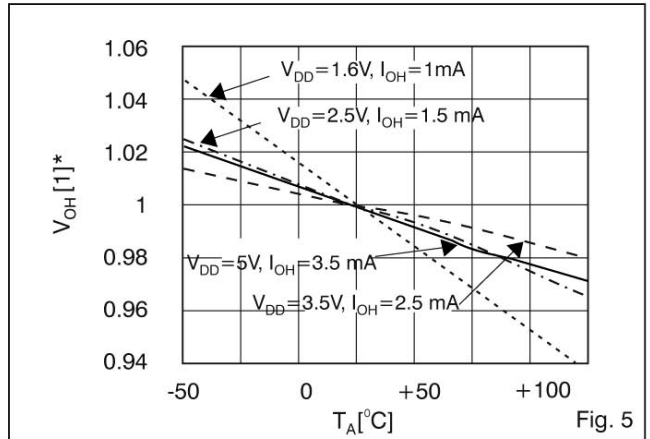
Fig.4

Typical Characteristics

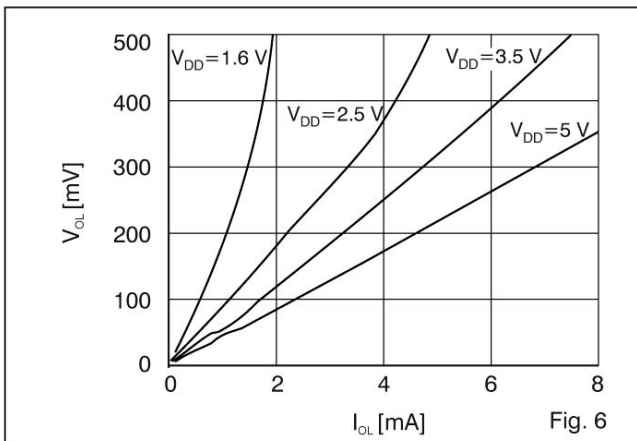
Normalized V_{OL} vs. Temperature



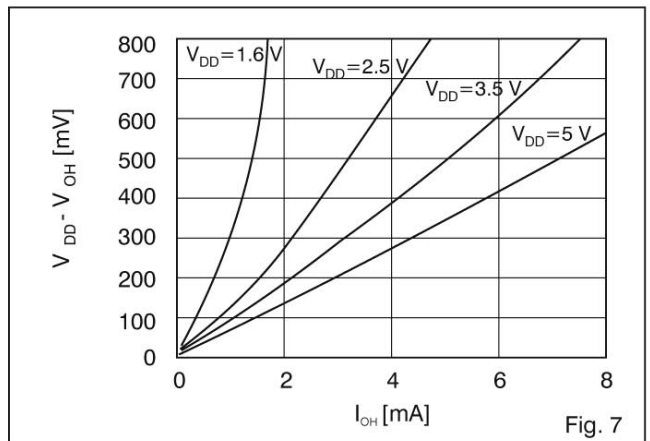
Normalized V_{OH} vs. Temperature



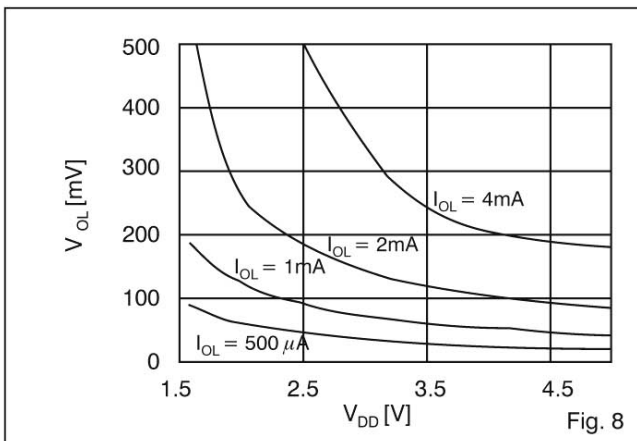
V_{OL} vs. Output Current



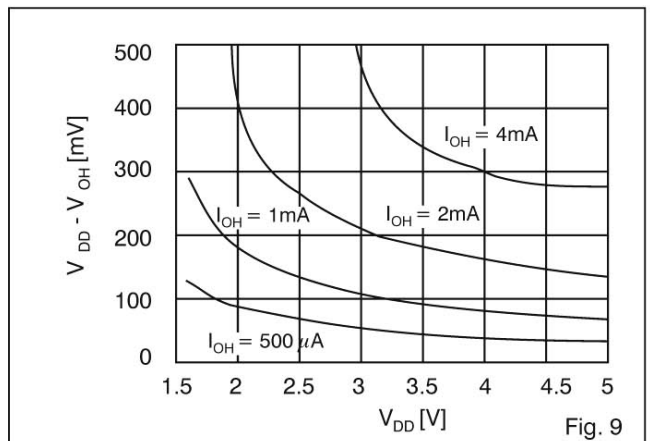
$V_{DD} - V_{OH}$ vs. Output Current



V_{OL} vs. Supply Voltage

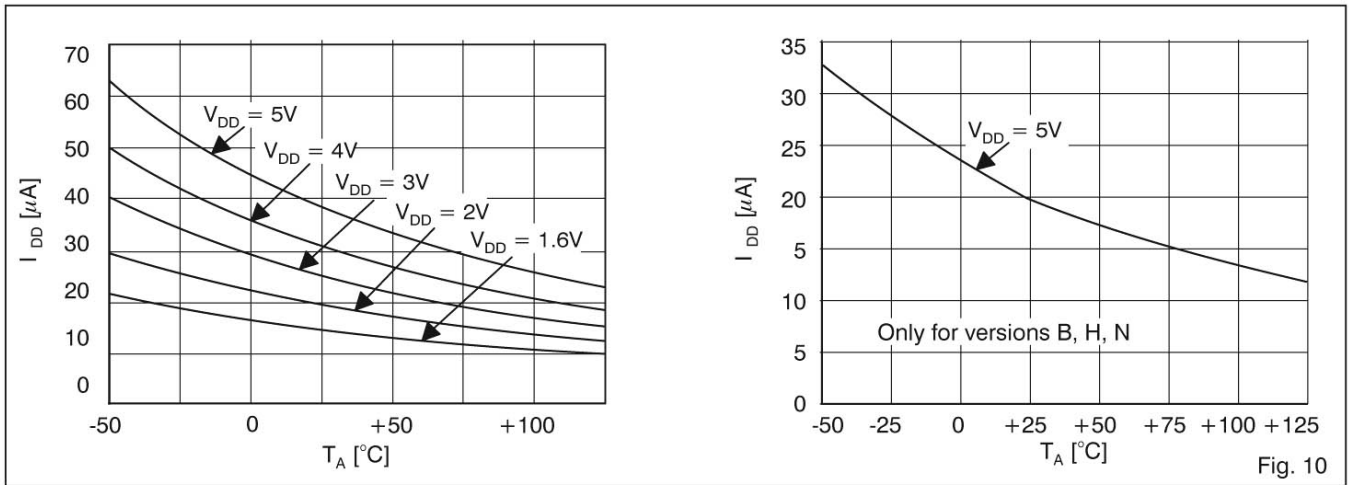


$V_{DD} - V_{OH}$ vs. Supply Voltage

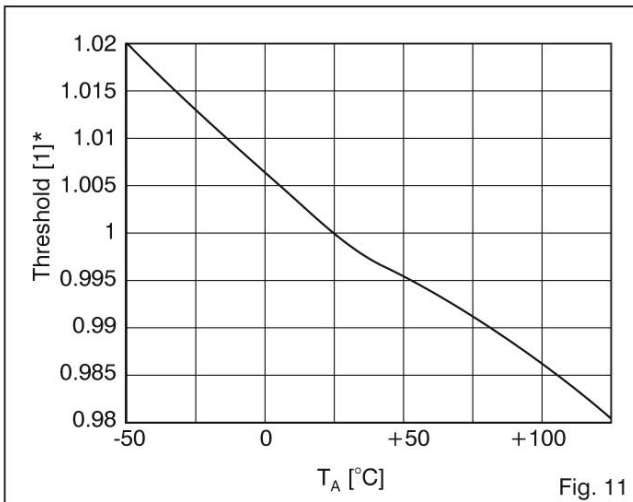


[1]* Multiply value at +25°C by this factor to determine the value at temperature

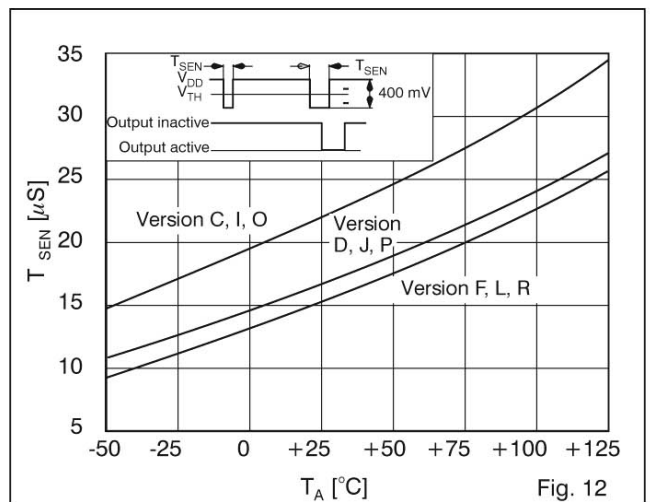
Supply Current vs. Temperature



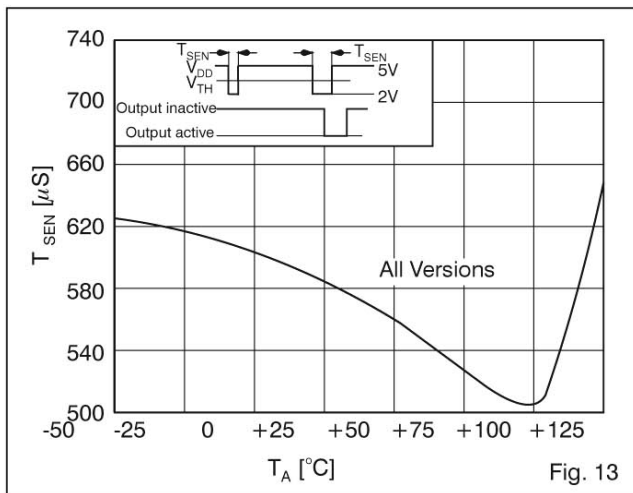
Normalized Threshold vs. Temperature



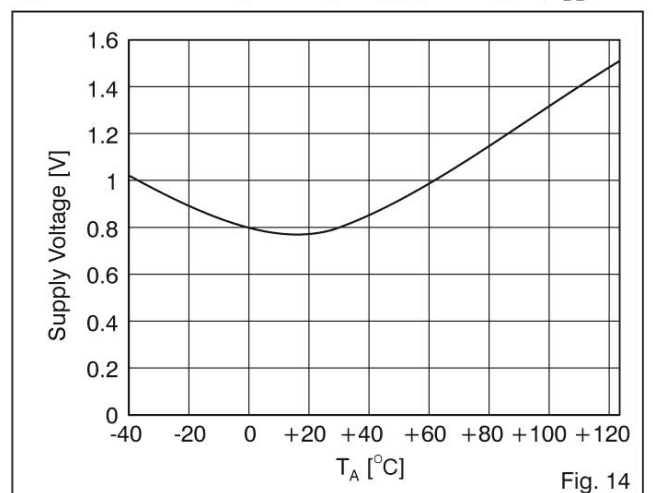
Typical Sensivity vs. Temperature



Typical Sensivity vs. Temperature



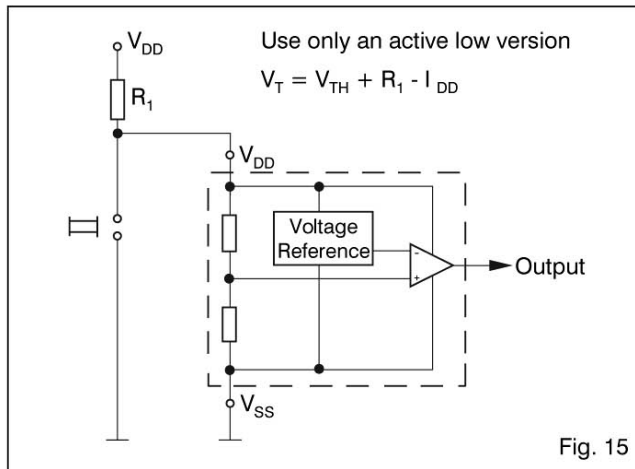
Typical Minimum Operating Supply Voltage (V_{DD})



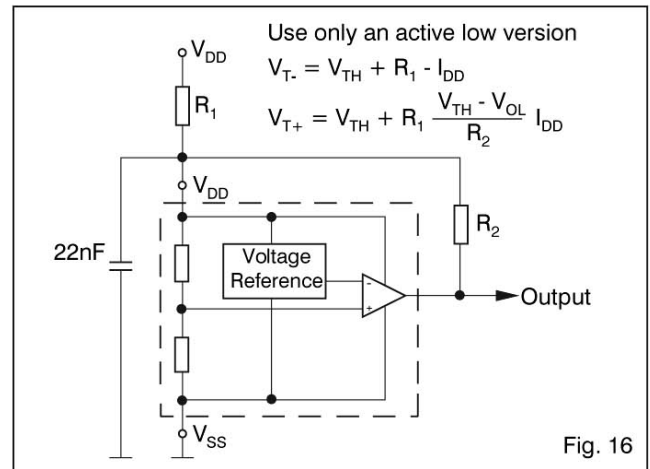
[1]* Multiply value at +25 $^{\circ}C$ by this factor to determine the value at temperature

Typical Applications

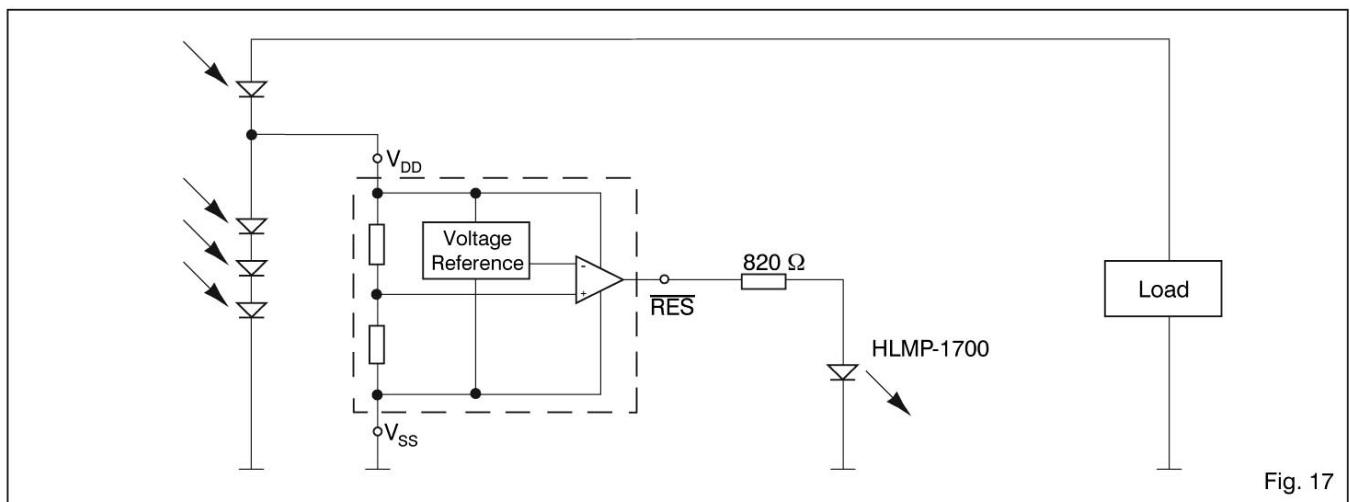
Voltage Monitor with Manual Reset



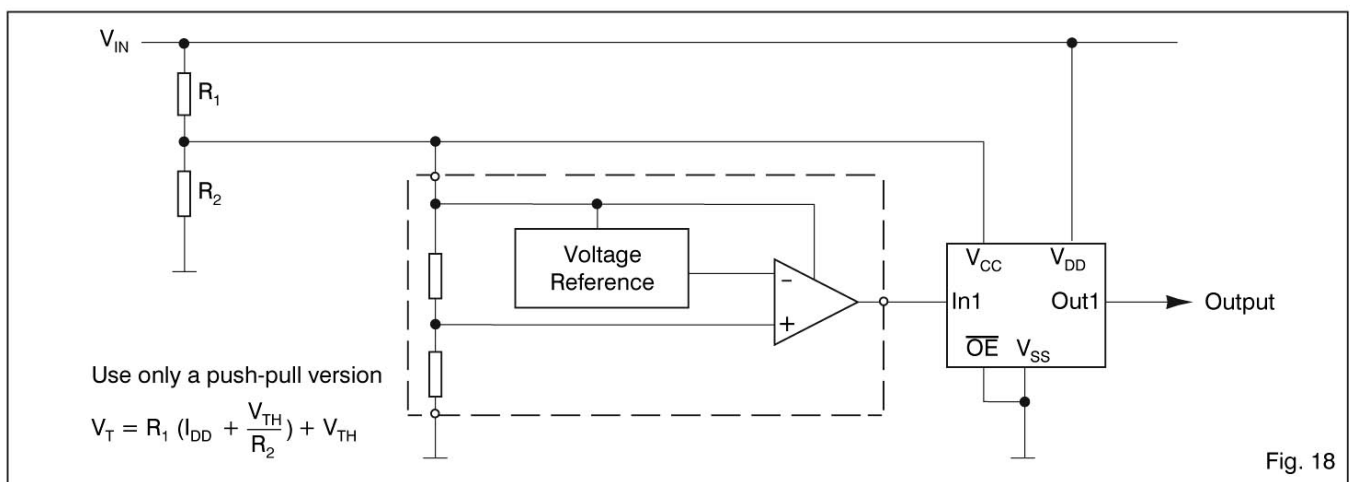
Reset Circuit with Hysteresis



Solar Cell Power O.K. Indicator



Accurate High Voltage Monitoring



Pin Description

TO-92

Pin	Name	Function
1	RES or $\overline{\text{RES}}$	Reset output
2	V_{DD}	Positive supply
3	V_{SS}	Supply ground

Table 5

SOT23-3L

Pin	Name	Function
1	RES or $\overline{\text{RES}}$	Reset output
2	V_{DD}	Positive supply
3	V_{SS}	Supply ground

Table 6

Packaging and Ordering Information

Dimensions of SOT23-3L Package

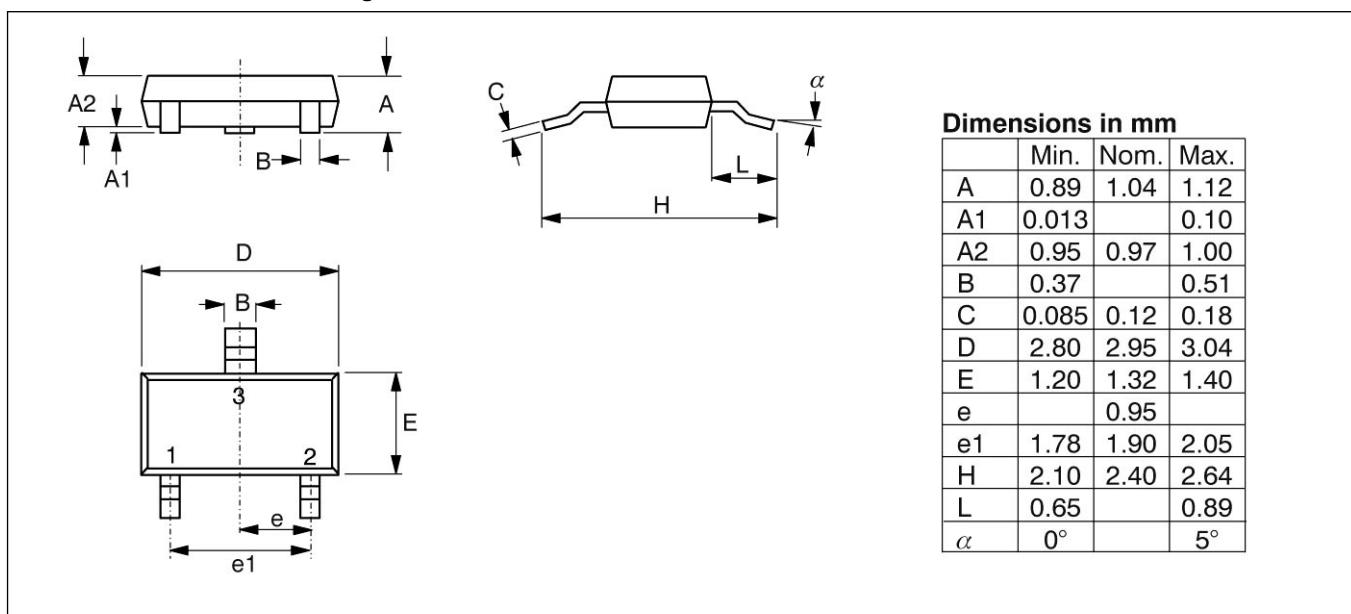


Fig. 5

Dimensions of TO-92 Package

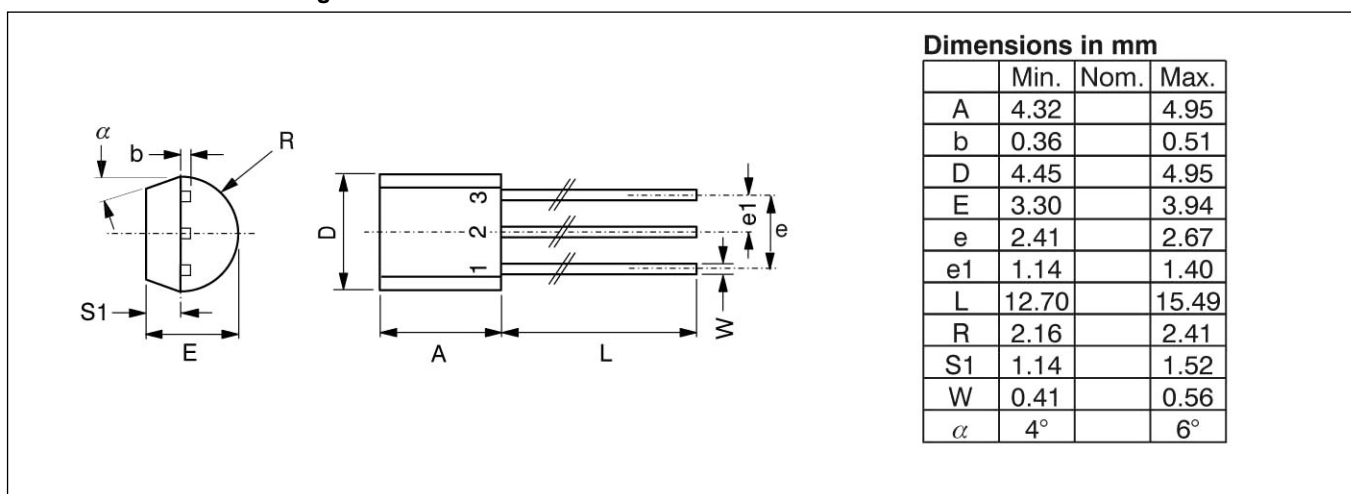
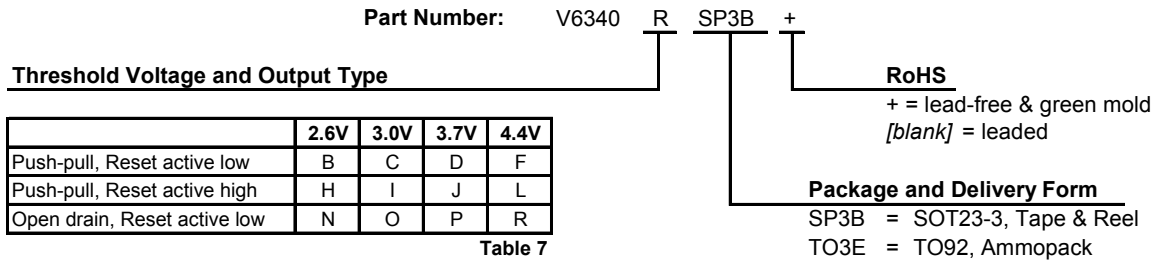


Fig. 6



Ordering Information



Note: Subject to availability (see standard versions list below). When ordering, please give complete Part Number without space between letters: eg. V6340RSP3B, etc.

Standard Versions (Top Marking)

Marking for TO-92 package

Part Number	Package Marking
V6340FTO3E+	V6340F
V6340NTO3E	V6340N
V6340OTO3E	V6340O

Part Number	Package Marking
V6340RTO3E+	V6340R
V6340TO3E	V6340R

Table 8

Marking for SOT23-3 package

Part Number	Threshold Voltage	Output type	Package and Delivery Form	Top Marking ¹⁾	Top Marking with 4 Characters ²⁾	Top Marking with 3 Characters ³⁾	
V6340BSP3B	2.6V	Active low push-pull	SOT23-3L, Tape & Reel 3000 pcs	E1##	AAAB	AB#	
V6340BSP3B+	2.6V				BAAB		
V6340CSP3B	3.0V				AAAC	AC#	
V6340CSP3B+	3.0V				BAAC		
V6340DSP3B	3.7V				AAAD	AD#	
V6340DSP3B+	3.7V				BAAD		
V6340FSP3B	4.4V				AAAF	AF#	
V6340FSP3B+	4.4V	BAAF					
V6340HSP3B	2.6V	Active high push-pull		SOT23-3L, Tape & Reel 3000 pcs	E8##	AAAH	AH#
V6340ISP3B	3.0V					AAAI	AI#
V6340JSP3B	3.7V					AAAJ	AJ#
V6340LSP3B	4.4V					AAAL	AL#
V6340LSP3B+	4.4V	BAAL					
V6340NSP3B	2.6V	Active low open-drain			SOT23-3L, Tape & Reel 3000 pcs	EB##	AAAN
V6340OSP3B	3.0V		AAAO				AO#
V6340OSP3B+	3.0V		BAAO				
V6340PSP3B	3.7V		AAAP			AP#	
V6340PSP3B+	3.7V		BAAP				
V6340RSP3B	4.4V		AAAR			AR#	
V6340RSP3B+	4.4V		BAAR				
			ED##				
			P9##				
		E3##					

Table 9

- Top marking is standard from 2006. No bottom marking exists. Where ## refers to the lot number (EM internal reference only)
- Top marking with 4 characters is standard from 2003. For lead-free/green mold (RoHS) parts, the first letter of top marking with 4 characters begins with letter "B" instead of letter "A". Bottom marking indicates the lot number.
- Top marking with 3 characters is kept as information since it was used until 2002. Where # refers to the lot number (EM internal reference only)

Traceability for small packages

Due to the limited space on the package surface, the bottom marking contains a limited number of characters that provide only partial information for lot traceability. Full information for complete traceability is however provided on the packing



labels of the product at delivery from EM: It is highly recommended that the customer insures full lot traceability of EM product in his final product.

Standards Version (Samples)

Part Number
V6340BSP3B+
V6340CSP3B+
V6340DSP3B+
V6340FSP3B+
V6340LSP3B
V6340OSP3B+

Part Number
V6340PSP3B+
V6340RSP3B+
V6340FTO3E+
V6340NTO3E
V6340OTO3E
V6340RTO3E+

Sample stock is generally held on **standard versions** only. Non standard versions have a 30,000 pieces minimum order quantity. Please contact factory for other versions not shown here and for availability of non standard versions.

EM Microelectronic-Marin SA (EM) makes no warranty for the use of its products, other than those expressly contained in the Company's standard warranty which is detailed in EM's General Terms of Sale located on the Company's web site. EM assumes no responsibility for any errors which may appear in this document, reserves the right to change devices or specifications detailed herein at any time without notice, and does not make any commitment to update the information contained herein. No licenses to patents or other intellectual property of EM are granted in connection with the sale of EM products, expressly or by implications. EM's products are not authorized for use as components in life support devices or systems.