

STRUCTRE Silicon Monolithic Integrated Circuit
 TYPE System Regulator (RESET, Vcc-Detection Circuit and 150mA LDO)

PRODUCT SERIES **B D 3 9 5 1 F**

FEATURES With low ESR capacitor for output

○ABSOLUTE MAXIMUM RATINGS

PARAMETER	SYMBOL	LIMIT	UNIT
Vcc Input Voltage	Vcc	-0.3~+36	V
OUT Terminal Voltage	Vout	-0.3~+7	V
RES Terminal Voltage	Vres	-0.3~+7	V
SOUT Terminal Voltage	Vsout	-0.3~+7	V
RES Output Current	Ires	0.2	mA
SOUT Output Current	Isout	2.5	mA
SIN Input Voltage	Vsin	-0.3~+36(3)	V
Power Dissipation	Pd	687(2)	mW
Operating Temperature Range	Topr	-40~+125	°C
Storage Temperature Range	Tstg	-55~+150	°C
Vcc Peak Input Voltage	Vccpeak	50(1)	V

(1)tr(rising time) is over 1msec, applied voltage is less than 400msec

(2)Pd is derated at 5.5mW/°C for temperature above Ta=25°C, mounted on 70mm×70mm×1.6mm PCB.

(3)Input current from Vcc to SIN PIN has to be equal and less than 5mA when Vcc voltage is less than SIN PIN voltage.

○OPERATING CONDITIONS (Ta=-40~125°C)

PARAMETER	SYMBOL	MIN.	TYP.	MAX.	Unit
Recommended Supply Voltage *	Vcc	6.0	13.5	20	V
Function Available Supply Voltage **	Vcc	5.5	13.5	36	V
Reset Adjustable Range	Vdet	4	-	4.7	V
Reset Delay Time Controllable Range	Cct	-	-	10	μF
Vcc Detection Adjustable Range	Vcc	5	-	-	V

*NOTE: The above conditions may not meet electrical characteristic.

**Basic Function Available range, for example the Regulation etc.

*This Product is not designed for protection against radio active rays.

*This product described in this specification isn't judged whether it applies to COCOM regulations,
 Please confirm in case of export.

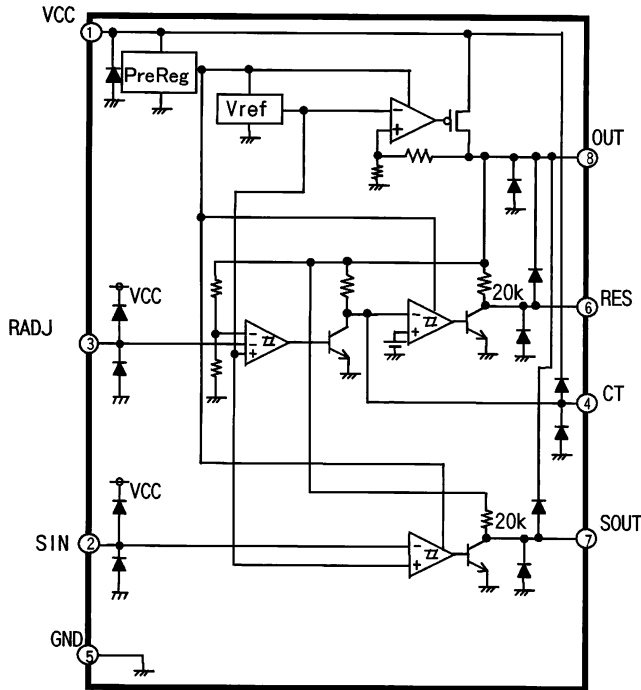
○ELECTRICAL CHARACTERISTIC (Ta=-40°C~125°C, Vcc=13.5V unless otherwise specified)

PARAMETER	SYMBOL	LIMIT			UNIT	CONDITIONS
		MIN.	TYP.	MAX.		
[Whole Devices]						
Input Current	Icc	-	135	210	μA	Iout=0.3mA
[Regulator Block]						
Output Voltage	Vout	4.90	5.00	5.10	V	Vcc=6~20V, Iout=1~100mA
Line Regulation	Lin.Reg	-	10	20	mV	Vcc=6~20V
Load Regulation	Load.Reg	-	15	30	mV	Iout=1~100mA
Dropout Voltage	ΔVd	-	0.31	0.50	V	Vcc=4.75V, Io=100mA
Output Peak Current	Iomax	150	-	-	mA	(Current Limit)
[Reset Block]						
Threshold Voltage	Vdet	Vout ×0.92	Vout ×0.94	Vout ×0.96	V	
Hysteresis Voltage	Vhys	50	100	150	mV	
Reset Delay Time L→H	TdLH	17	30	-	mS	CT=0.1 μF (3)
Reset Delay Time H→L	TdHL	-	4	-	μS	CT=0.1 μF
RES Pull Up Resistor	Rrst	10	20	40	kΩ	
RES Low Output Voltage	VrL	-	0.08	0.40	V	4V<Vout<Vdet, INPUT CURRENT is 0.2mA
Reset Adjust Voltage	Vradj	1.18	1.26	1.34	V	
[Vcc DETECTION BLOCK]						
Threshold Voltage	Vsdet	1.19	1.26	1.33	V	
Hysteresis Voltage	Vsdet off	1.240	1.335	1.430	V	
SOUT Pull Up Resistor	Rso	10	20	40	kΩ	
SOUT Low Output Voltage	VsL	-	0.06	0.40	V	Vout>4V, VSIN<Vsdet, INPUT CURRENT is 1.5mA
SIN Input Current	Isin	-1	0	1	μA	Vsin=2V

NOTE: (3) TdLH set by Cct terminal capacitor.

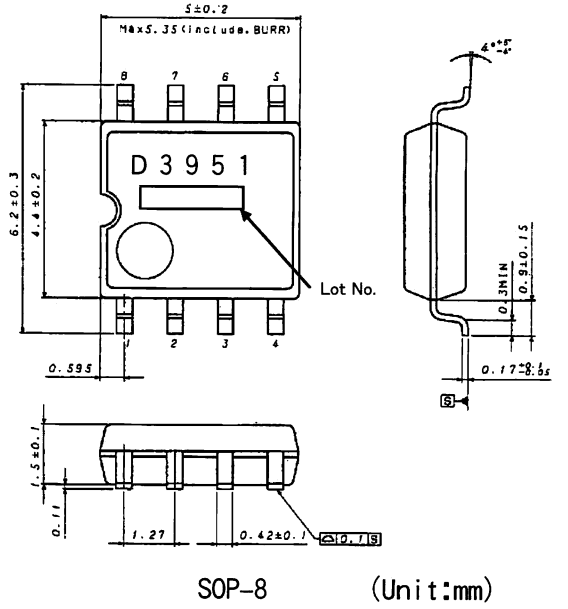
$$TdLH \approx 300k \times Cct$$

○BLOCK DIAGRAM, APPLICATION CIRCUIT



※Refer to the Technical Note about the details of the application.

○PHYSICAL DIMENSION



○PIN No. PIN name

PIN No.	PIN name
1	VCC
2	SIN
3	RADJ
4	CT
5	GND
6	RES
7	SOUT
8	OUT

○ NOTES FOR USE

1. Absolute maximum range
This product are produced with strict quality control, but might be destroyed in using beyond absolute maximum ratings. The destroyed IC failure mode cannot be defined (like Short mode, or Open mode). Therefore physical security countermeasure, like fuse, is to be used when a specified mode is beyond absolute maximum ratings.
2. Operating supply voltage range
BD3951F can operate within the operating supply voltage range and operating temperature range.
Limits in the electrical characteristic table are not warranted. There is a little difference between the limits and electrical values.
3. GND terminal voltage must be always forced with the lowest voltage among the terminals.
4. Power GND pattern and Small signal GND pattern should be separated each other and supplied one point GND on the board to eliminate the surge current influences.
5. Power dissipation
For power dissipation, refer to the thermal reducing characteristics and the approximation of IC internal power consumption shown in the attached sheet as guideline. Be sure to use this IC within the power dissipation range, allowing enough of margin.
6. Shorted terminals and Mounting Error
Short circuits among the output terminals and short circuits between output terminals and VCC/GND terminal due to metallic foreign particles would result in permanent damage to the device. And this IC Pin Assignment is 1pin=Vcc, 5pin=GND. So if this IC is mounted upside down, it would be destroyed by the huge current from GND to Vcc. Please be careful to the mount destination.
7. The extent electromagnetic condition might cause wrong operation of BD3951F.
8. Note that running set testing procedure using capacitors connected to low-impedence terminals may produce stress on the IC. Therefore, be certain to use proper discharge procedure before each process of the Testing. To prevent electrostatic stress in the assembly process, thoroughly ground yourself and any equipment that could sustain ESD damage, and continue observing ESD-prevention procedures in all handling, transfer and storage operations. Before attempting to any component to the test system, make certain that the power supply is OFF. Likewise, be sure to turn the power supply OFF before removing any component connected to the test system.
9. This IC is a Monolithic IC which has P+ isolation in the P substrate and between the various pins. A P-N junction is formed from this P layer and the N layer of each pin.
Parasitic diodes can occur inevitably in the structure of the IC. The operation of parasitic diodes can result in mutual interference among circuits as well as operation faults and physical damage.
Accordingly, you must not use methods by which parasitic diodes operate, such as applying a voltage that is lower than the GND (P substrate) voltage to an input pin.
10. About oscillation stopper of output and bypass capacitor
Please use this to stop oscillation between OUT pin and GND. Ceramic Capacitor $3.3\ \mu\text{F}\sim 2200\ \mu\text{F}$ can be used for this. When selecting the value of the output capacitor, please make sure that the operation on the actual application takes these conditions into account: rapid input or load transient response.
11. BD3951F might be damaged from the exceed inflow current from the terminals to VCC (for instance, VCC is short to GND while the output capacitor is charging.). In those cases, VCC series diode (to prevent inflow current) or bypass diode (connected from terminals to VCC) should be used externally in an application.
12. Over current protection circuit
The over-current protection circuits are built in at the output, according to their respective current outputs. This prevents the IC from being damaged when the load is short-circuited or over-current. This protection circuit is designed not to occur latch-up against the unexpected huge current
13. BD3951F has thermal Shut Down protection (TSD) which performs Power Tr OFF in high Tj condition. Since TSD setting is higher temperature than absolute maximum ratings, thermal design must has done not to use this function.
14. We recommend to put a bypass capacitor $0.33\ \mu\text{F}\sim 10\text{mF}$ into the nearest position between VCC pin and GND
15. Please insert power zener diode between VCC terminal and GND terminal, if more than 50V surge voltage would be supplied to VCC terminals.
16. The SOUT terminal is only activated ("H" / "L") while the RESET is "H" . While the RESET terminal is "L" , the SOUT terminal is always "L" .

Notes

- No technical content pages of this document may be reproduced in any form or transmitted by any means without prior permission of ROHM CO.,LTD.
- The contents described herein are subject to change without notice. The specifications for the product described in this document are for reference only. Upon actual use, therefore, please request that specifications to be separately delivered.
- Application circuit diagrams and circuit constants contained herein are shown as examples of standard use and operation. Please pay careful attention to the peripheral conditions when designing circuits and deciding upon circuit constants in the set.
- Any data, including, but not limited to application circuit diagrams information, described herein are intended only as illustrations of such devices and not as the specifications for such devices. ROHM CO.,LTD. disclaims any warranty that any use of such devices shall be free from infringement of any third party's intellectual property rights or other proprietary rights, and further, assumes no liability of whatsoever nature in the event of any such infringement, or arising from or connected with or related to the use of such devices.
- Upon the sale of any such devices, other than for buyer's right to use such devices itself, resell or otherwise dispose of the same, no express or implied right or license to practice or commercially exploit any intellectual property rights or other proprietary rights owned or controlled by
- ROHM CO., LTD. is granted to any such buyer.
- Products listed in this document are no antiradiation design.

The products listed in this document are designed to be used with ordinary electronic equipment or devices (such as audio visual equipment, office-automation equipment, communications devices, electrical appliances and electronic toys).

Should you intend to use these products with equipment or devices which require an extremely high level of reliability and the malfunction of which would directly endanger human life (such as medical instruments, transportation equipment, aerospace machinery, nuclear-reactor controllers, fuel controllers and other safety devices), please be sure to consult with our sales representative in advance.

About Export Control Order in Japan

Products described herein are the objects of controlled goods in Annex 1 (Item 16) of Export Trade Control Order in Japan.

In case of export from Japan, please confirm if it applies to "objective" criteria or an "informed" (by MITI clause) on the basis of "catch all controls for Non-Proliferation of Weapons of Mass Destruction.

Thank you for your accessing to ROHM product informations.
More detail product informations and catalogs are available,
please contact your nearest sales office.

Please contact our sales offices for details ;

U.S.A / San Diego	TEL : +1(858)625-3630	FAX : +1(858)625-3670
Atlanta	TEL : +1(770)754-5972	FAX : +1(770)754-0691
Dallas	TEL : +1(972)312-8818	FAX : +1(972)312-0330
Germany / Dusseldorf	TEL : +49(2154)9210	FAX : +49(2154)921400
United Kingdom / London	TEL : +44(1)908-282-666	FAX : +44(1)908-282-528
France / Paris	TEL : +33(0)1 56 97 30 60	FAX : +33(0) 1 56 97 30 80
China / Hong Kong	TEL : +852(2)740-6262	FAX : +852(2)375-8971
Shanghai	TEL : +86(21)6279-2727	FAX : +86(21)6247-2066
Dilian	TEL : +86(411)8230-8549	FAX : +86(411)8230-8537
Beijing	TEL : +86(10)8525-2483	FAX : +86(10)8525-2489
Taiwan / Taipei	TEL : +866(2)2500-6956	FAX : +866(2)2503-2869
Korea / Seoul	TEL : +82(2)8182-700	FAX : +82(2)8182-715
Singapore	TEL : +65-6332-2322	FAX : +65-6332-5662
Malaysia / Kuala Lumpur	TEL : +60(3)7958-8355	FAX : +60(3)7958-8377
Philippines / Manila	TEL : +63(2)807-6872	FAX : +63(2)809-1422
Thailand / Bangkok	TEL : +66(2)254-4890	FAX : +66(2)256-6334

Japan /
(Internal Sales)

Tokyo	2-1-1, Yaesu, Chuo-ku, Tokyo 104-0082	TEL : +81(3)5203-0321	FAX : +81(3)5203-0300
Yokohama	2-4-8, Shin Yokohama, Kohoku-ku, Yokohama, Kanagawa 222-8575	TEL : +81(45)476-2131	FAX : +81(45)476-2128
Nagoya	Dainagayo Building 9F 3-28-12, Meieki, Nakamura-ku, Nagoya, Aichi 450-0002	TEL : +81(52)581-8521	FAX : +81(52)561-2173
Kyoto	579-32 Higashi Shiokouji-cho, Karasuma Nishi-iru, Shiokoujidori, Shimogyo-ku, Kyoto 600-8216	TEL : +81(75)311-2121	FAX : +81(75)314-6559

(Contact address for overseas customers in Japan)

Yokohama	TEL : +81(45)476-9270	FAX : +81(045)476-9271
----------	-----------------------	------------------------