



PRELIMINARY

SSR4045CT/61

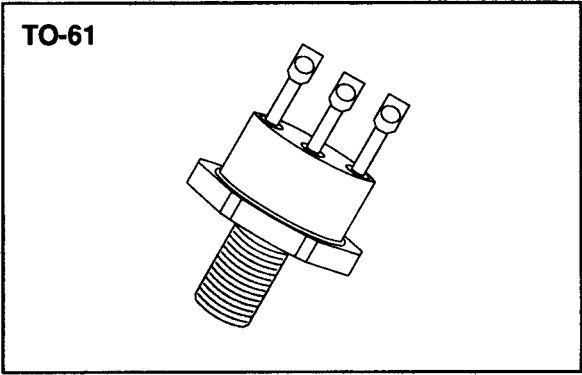
SOLID STATE DEVICES, INC

14849 Firestone Boulevard · La Mirada, CA 90638
Phone: (714) 670-SSDI (7734) · Fax: (714) 522-7424

Designer's Data Sheet

- FEATURES:**
- Low Reverse Leakage
 - Low Forward Voltage Drop
 - Guard Ring for Overvoltage protection
 - Isolated Hermetically Sealed Power Package
 - Eutectic Die Attach
 - 175°C Operating Temperature
 - TX, TXV and Space Level Screening Available

**40 AMP
45 VOLTS
POSITIVE CENTERTAP
SCHOTTKY
RECTIFIER**



MAXIMUM RATINGS

RATING	SYMBOL	VALUE	UNIT
Peak Repetitive Reverse and DC Blocking Voltage	VRRM	45	Volts
	VRWM		
	VR		
Average Rectified Forward Current (Resistive Load, 60Hz, Sine Wave, TA=25°C) <i>note 1</i>	IO	40	Amps
Peak Surge Current (8.3 ms Pulse, Half Sine Wave Superimposed on IO, allow junction to reach equilibrium between pulses, TA=25°C) <i>note 1</i>	IFSM	600	Amps
Operating and storage temperature	Top & Tstg	-65 to +175	°C
Maximum Thermal Resistance Junction to Case, <i>note 1</i>	RθJC	0.6	°C/W

NOTE 1: Both legs tied together

SSR4045CT/61

PRELIMINARY



SOLID STATE DEVICES, INC

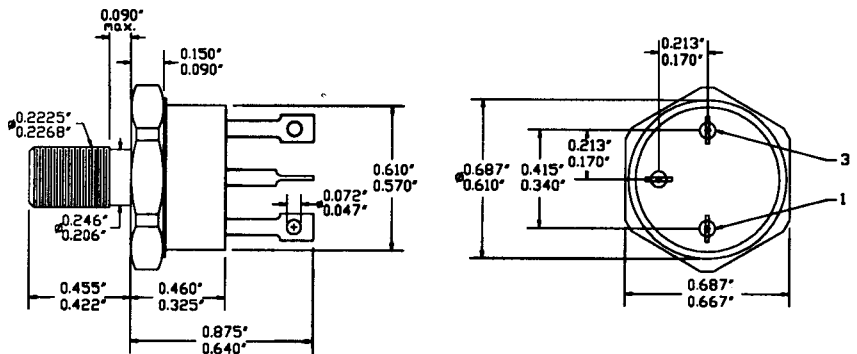
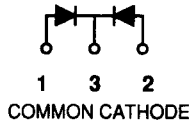
14849 Firestone Boulevard · La Mirada, CA 90638
 Phone: (714) 670-SSDI (7734) · Fax: (714) 522-7424

ELECTRICAL CHARACTERISTICS (Per Leg)

CHARACTERISTICS	SYMBOL	MAXIMUM	UNIT
Instantaneous Forward Voltage Drop (IF = 5 Adc, TA=25°C, 300µs Pulse) (IF = 10 Adc, TA=25°C, 300µs Pulse) (IF = 20 Adc, TA=25°C, 300µs Pulse)	VF1	0.52 0.58 0.75	Vdc
Instantaneous Forward Voltage Drop (IF = 10 Adc, TA= - 55°C, 300µs Pulse)	VF2	0.65	Vdc
Reverse Leakage Current (Rated VR, TA=25°C, 300µs pulse minimum)	IR1	200	µA
Reverse Leakage Current (Rated VR, TA=100°C, 300µs pulse minimum)	IR2	15	mA
Junction Capacitance (VR = 10 Vdc, TA=25°C, f= 1 MHz)	CJ	800	pf

CASE OUTLINE: TO-61

SSR4045CT/61
 PIN 1: ANODE
 PIN 2: ANODE
 PIN 3: CATHODE
 STUD: N/C



TYPICAL OPERATING CURVES

(TA=25°C unless otherwise specified)

