



# EMIF04-10006F2

IPAD™

## 4 LINES EMI FILTER AND ESD PROTECTION

### MAIN PRODUCT CHARACTERISTICS

Where EMI filtering in ESD sensitive equipment is required:

- Mobile phones and communication systems
- Computers, printers and MCU Boards

### DESCRIPTION

The EMIF04-10006F2 is a highly integrated devices designed to suppress EMI/RFI noise in all systems subjected to electromagnetic interferences. The EMIF04 flip-chip packaging means the package size is equal to the die size. This filter includes an ESD protection circuitry which prevents the device from destruction when subjected to ESD surges up 15kV. This device includes four EMIF filters and 4 separated ESD diodes.

### BENEFITS

- EMI symmetrical (I/O) low-pass filter
- High efficiency in EMI filtering
- Lead free package
- Very low PCB space consuming: 2.92mm x 1.29mm
- Very thin package: 0.65 mm
- High efficiency in ESD suppression (IEC61000-4-2 level 4)
- High reliability offered by monolithic integration
- High reducing of parasitic elements through integration and wafer level packaging.

### COMPLIES WITH THE FOLLOWING STANDARDS:

IEC 61000-4-2 level 4:

15kV (air discharge)

8kV (contact discharge)

MIL STD 883E - Method 3015-6 Class 3: 30kV

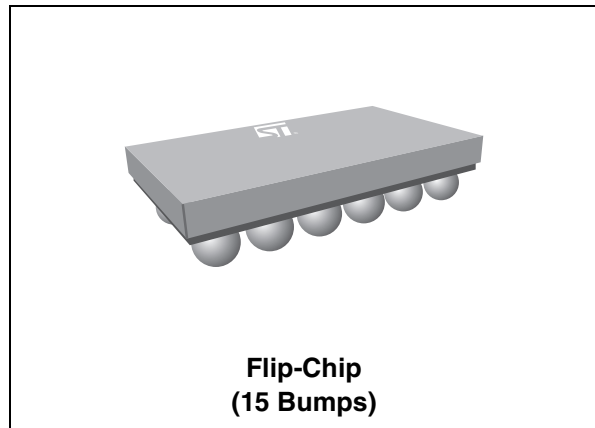
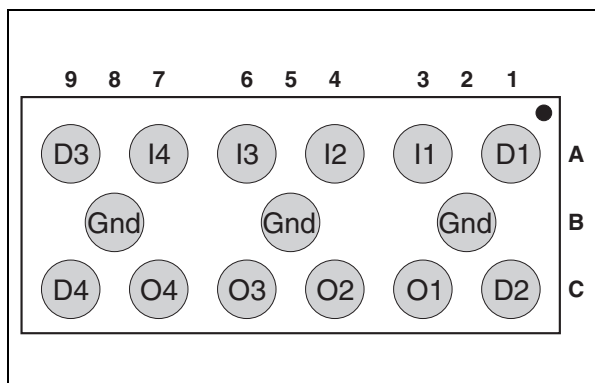


Table 1: Order Code

Part Number	Marking
EMIF04-10006F2	FS

Figure 1: Pin Configuration (ball side)



TM: IPAD is a trademark of STMicroelectronics.

Figure 2: Basic Cell Configuration

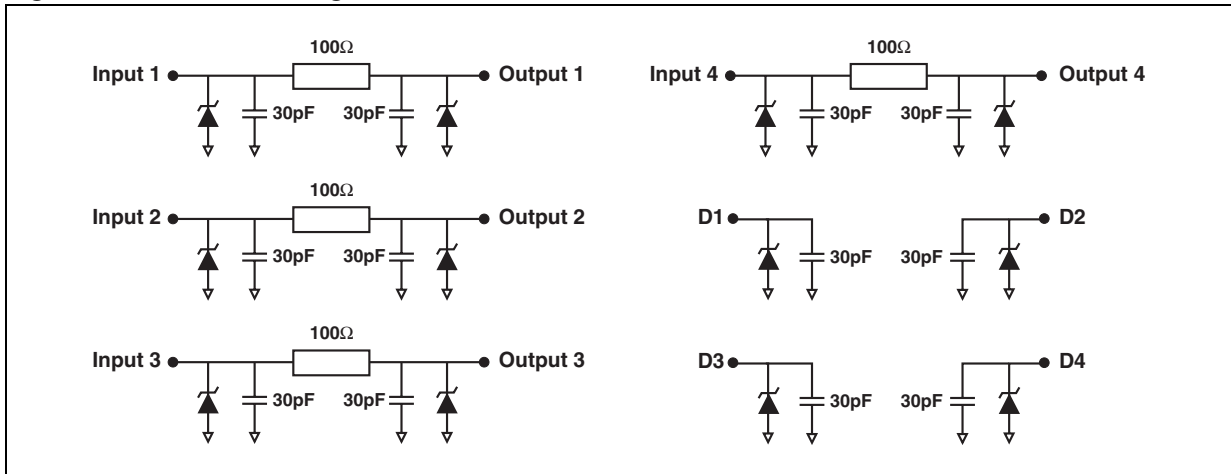
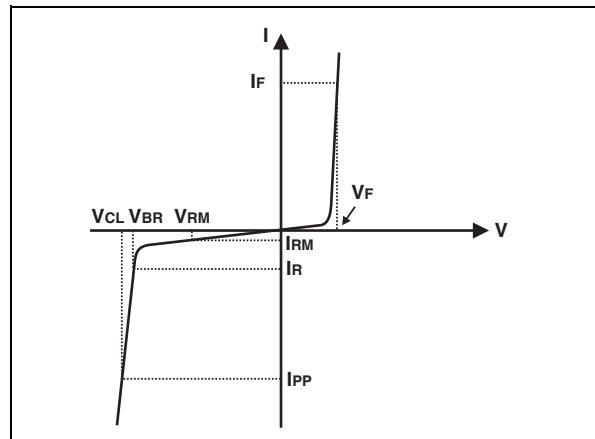


Table 2: Absolute Ratings (limiting values)

Symbol	Parameter and test conditions	Value	Unit
$P_R$	DC power per resistance	0.1	W
$P_T$	Total DC power per package	0.6	W
$T_j$	Maximum junction temperature	125	°C
$T_{op}$	Operating temperature range	- 40 to + 85	°C
$T_{stg}$	Storage temperature range	125	°C

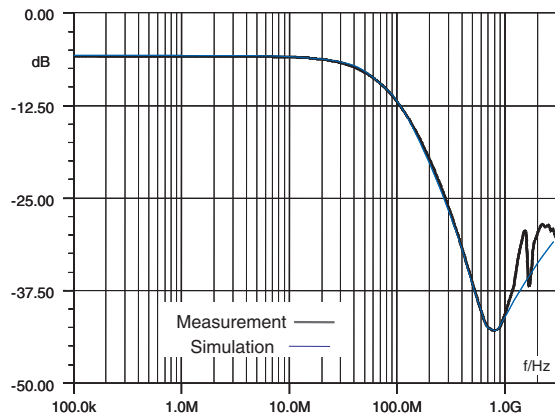
Table 3: Electrical Characteristics ( $T_{amb} = 25\text{ °C}$ )

Symbol	Parameter
$V_{BR}$	Breakdown voltage
$I_{RM}$	Leakage current @ $V_{RM}$
$V_{RM}$	Stand-off voltage
$V_{CL}$	Clamping voltage
$R_d$	Dynamic impedance
$I_{PP}$	Peak pulse current
$R_{I/O}$	Series resistance between Input and output
$C_{line}$	Capacitance per line

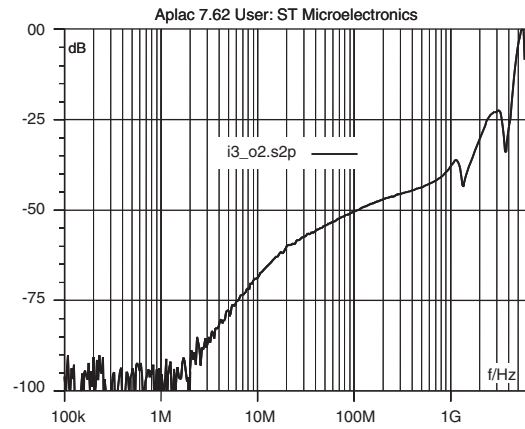


Symbol	Test conditions	Min.	Typ.	Max.	Unit
$V_{BR}$	$I_R = 1\text{ mA}$	5.5	7	9	V
$I_{RM}$	$V_{RM} = 3.3\text{ V per line}$			500	nA
$R_{I/O}$	$I = 10\text{ mA}$	80	100	120	$\Omega$
$C_{line}$	$V_R = 2.5\text{ V}, F = 1\text{ MHz}, 30\text{ mV (on filter cells)}$	50	60	70	pF

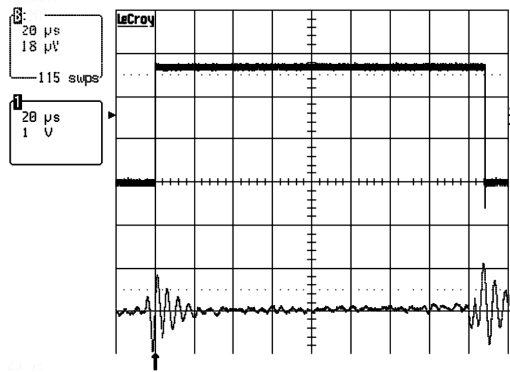
**Figure 3: S21 (dB) attenuation measurements and Aplac simulation**



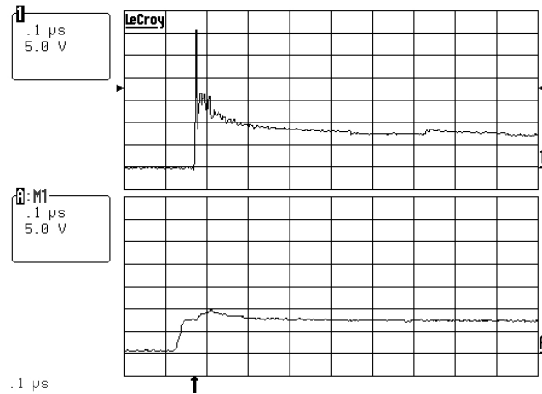
**Figure 4: Analog crosstalk measurements**



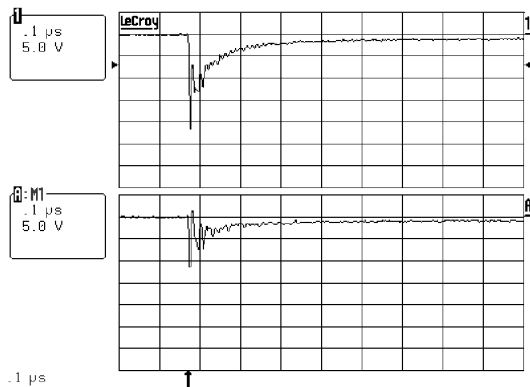
**Figure 5: Digital crosstalk measurements**



**Figure 6: ESD response to IEC61000-4-2 (+15kV air discharge) on one input V(in) and one output V(out)**



**Figure 7: ESD response to IEC61000-4-2 (-15kV air discharge) on one input V(in) and one output V(out)**



**Figure 8: Line capacitance versus applied voltage for filter**

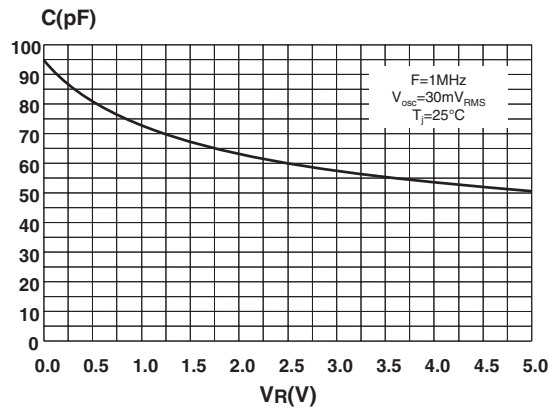


Figure 9: Aplac model

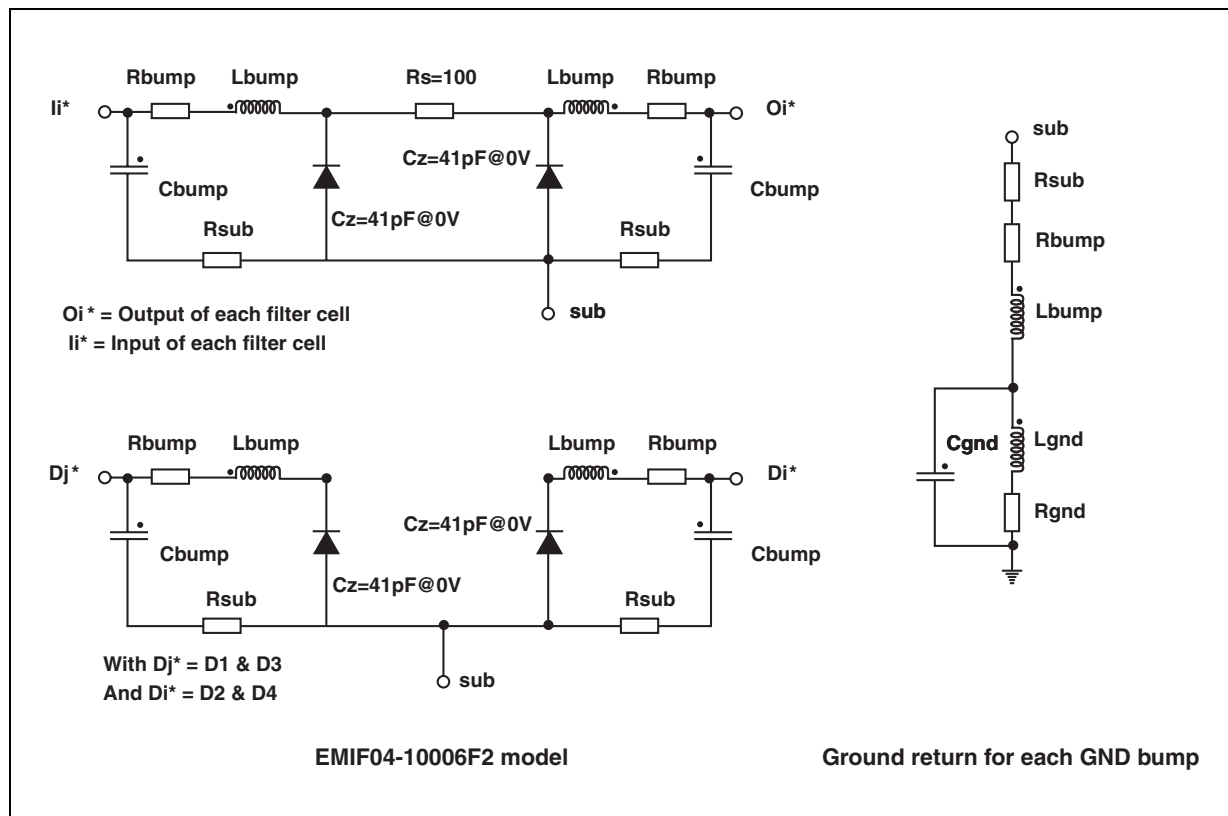


Figure 10: Aplac parameters

aplacvar RS	100Ω
aplacvar Cz	41 pF
aplacvar Lbump	50 pH
aplacvar Rbump	20 m
aplacvar Cbump	1.2 pF
aplacvar Rsub	100 m
aplacvar Rgnd	100 m
aplacvar Lgnd	100 pH
aplacvar Cgnd	0.15 pF

Figure 11: Order code

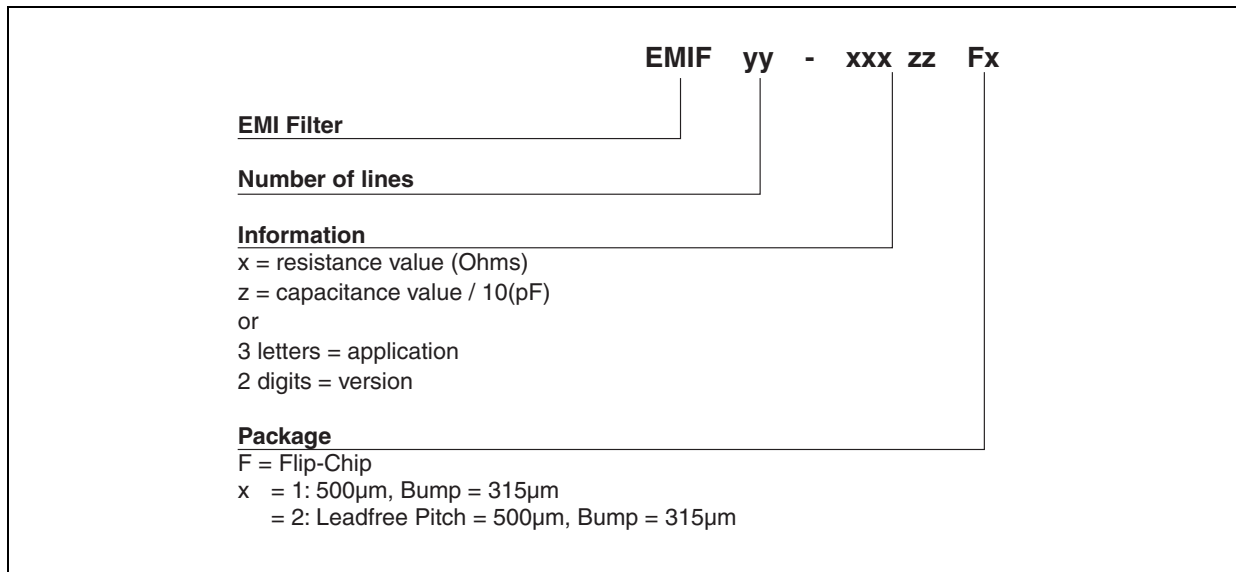


Figure 12: FLIP-CHIP Package Mechanical Data

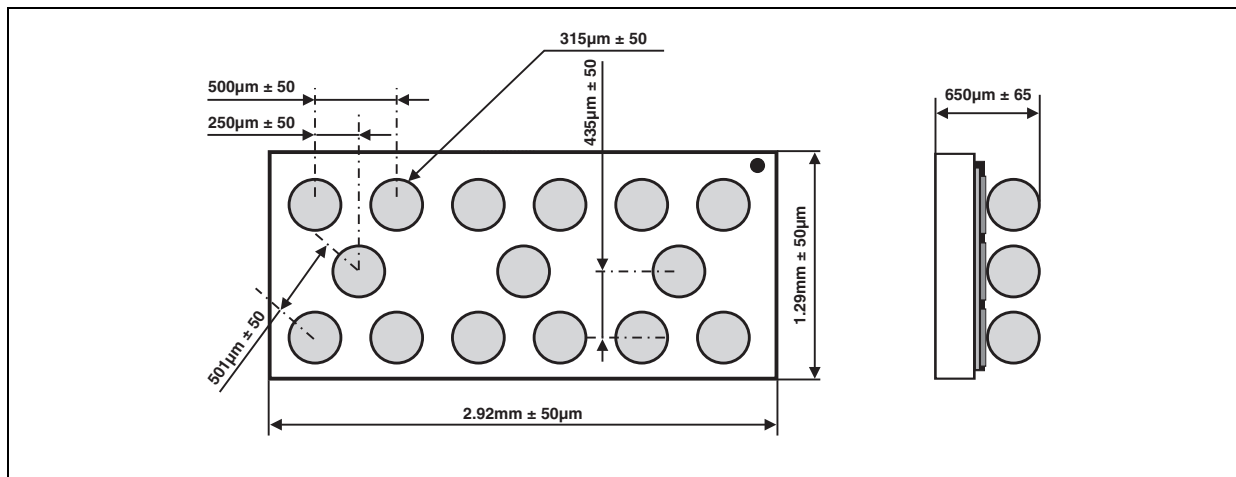


Figure 13: Foot print recommendations

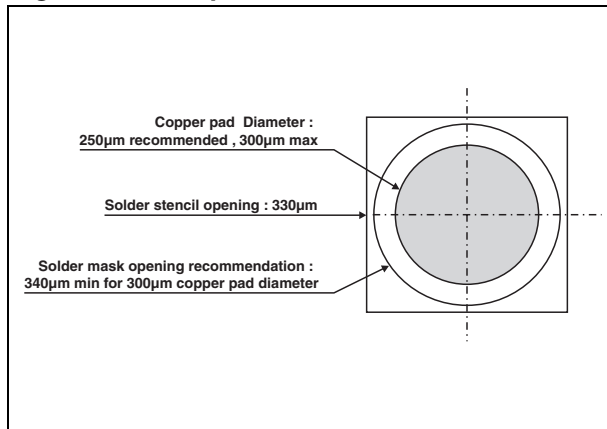


Figure 14: Marking

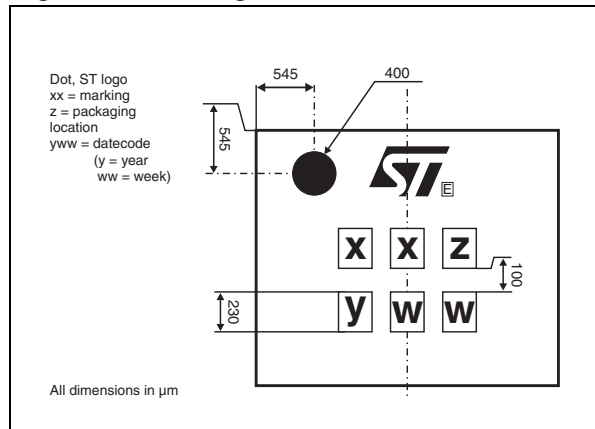


Figure 15: FLIP-CHIP Tape and Reel Specification

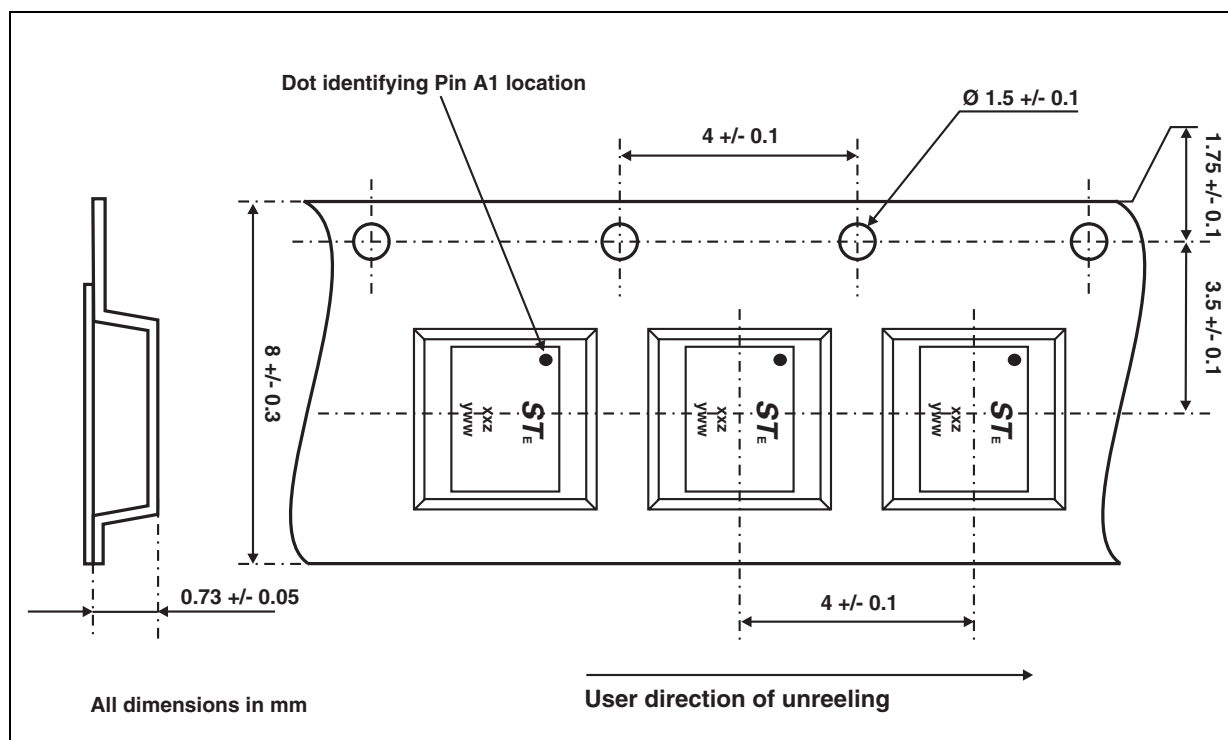


Table 4: Ordering Information

Ordering code	Marking	Package	Weight	Base qty	Delivery mode
EMIF04-10006F2	FS	Flip-Chip	5.4 mg	5000	Tape & reel 7"

Note: More packing informations are available in the application note  
 AN1235: "Flip-Chip: Package description and recommendations for use"  
 AN1751: "EMI Filters: Recommendations and measurements"

Table 5: Revision History

Date	Revision	Description of Changes
08-Sep-2004	1	First issue

Information furnished is believed to be accurate and reliable. However, STMicroelectronics assumes no responsibility for the consequences of use of such information nor for any infringement of patents or other rights of third parties which may result from its use. No license is granted by implication or otherwise under any patent or patent rights of STMicroelectronics. Specifications mentioned in this publication are subject to change without notice. This publication supersedes and replaces all information previously supplied. STMicroelectronics products are not authorized for use as critical components in life support devices or systems without express written approval of STMicroelectronics.

The ST logo is a registered trademark of STMicroelectronics.  
All other names are the property of their respective owners

© 2004 STMicroelectronics - All rights reserved

**STMicroelectronics group of companies**

Australia - Belgium - Brazil - Canada - China - Czech Republic - Finland - France - Germany - Hong Kong - India - Israel - Italy - Japan -  
Malaysia - Malta - Morocco - Singapore - Spain - Sweden - Switzerland - United Kingdom - United States of America  
[www.st.com](http://www.st.com)