

STRUCTURE Silicon Monolithic Integrated Circuit

TYPE Three-Terminal Regulator

PRODUCT SERIES **BA178MXXCP**

FEATURE Output current up to 0.5A

○ABSOLUTE MAXIMUM RATING (Ta=25°C)

| Parameter | Symbol | Limit | Unit |
|------------------------------|--------|-------------------|------|
| Input Voltage | Vin | 35 | V |
| Power Dissipation 1 | Pd1 | 2 ^{*1} | W |
| Power Dissipation 2 | Pd2 | 22 ^{*2} | W |
| Output Current | Iout | 0.5 ^{*3} | A |
| Operating Temperature Range | Topr | -40~+85 | °C |
| Storage Temperature Range | Tstg | -55~+150 | °C |
| Maximum Junction Temperature | Tjmax | 150 | °C |

*1 Derating in done 16mW/°C for temperatures above Ta=25°C

*2 Derating in done 176mW/°C for temperatures above Ta=25°C, Mounted on infinity Aluminium heat sink.

*3 Pd, ASO should not be exceeded.

○RECOMMENDED OPERATING CONDITIONS (Ta=-40~+85°C)

| Parameter | Symbol | Type | Min | Max | Unit |
|----------------|----------------|------------|------|-------------------|------|
| Input Voltage | Vin | BA178M05CP | 7.5 | 25 | V |
| | | BA178M06CP | 8.5 | 21 | |
| | | BA178M07CP | 9.5 | 22 | |
| | | BA178M08CP | 10.5 | 23 | |
| | | BA178M09CP | 11.5 | 24 | |
| | | BA178M10CP | 12.5 | 25 | |
| | | BA178M12CP | 15 | 27 | |
| | | BA178M15CP | 17.5 | 30 | |
| | | BA178M18CP | 21 | 33 | |
| | | BA178M20CP | 23 | 33 | |
| | | BA178M24CP | 27 | 33 | |
| Output Current | I _o | Common | — | 0.5 ^{*3} | A |

The product described in this specification is a strategic product (and/or Service) subject to COCOM regulations.

It should not be exported without Authorization from the appropriate government.

This product is not designed for protection against radioactive rays.

Status of this document

The Japanese version of this document is the formal specification. A customer may use this translation version only for a reference to help reading the formal version. If there are any differences in translation version of this document, formal version takes priority.

○ELECTRICAL CHARACTERISTICS

(Unless otherwise specified, Ta=25°C, Vin=10V(05), 11V(06), 13V(07), 14V(08), 15V(09), 16V(10), 19V(12), 23V(15), 27V(18), 29V(20), 33V(24), Io=350mA)

| Parameter | Symbol | Type | Limit | | | Unit | Condition |
|---|--------|-------------------|-------|--------------------------|-------|-------|------------------------------|
| | | | Min. | Typ. | Max. | | |
| Output Voltage1 | Vo1 | 05 | 4.8 | 5.0 | 5.2 | V | Io=350mA |
| | | 06 | 5.75 | 6.0 | 6.25 | | |
| | | 07 | 6.7 | 7.0 | 7.3 | | |
| | | 08 | 7.7 | 8.0 | 8.3 | | |
| | | 09 | 8.6 | 9.0 | 9.4 | | |
| | | 10 | 9.6 | 10.0 | 10.4 | | |
| | | 12 | 11.5 | 12.0 | 12.5 | | |
| | | 15 | 14.4 | 15.0 | 15.6 | | |
| | | 18 | 17.3 | 18.0 | 18.7 | | |
| | | 20 | 19.2 | 20.0 | 20.8 | | |
| 24 | 23.0 | 24.0 | 25.0 | | | | |
| Output Voltage2 | Vo2 | 05 | 4.75 | — | 5.25 | V | Vin=7.5~20V, Io=5mA~350mA |
| | | 06 | 5.7 | — | 6.3 | | Vin=8.5~21V, Io=5mA~350mA |
| | | 07 | 6.65 | — | 7.35 | | Vin=9.5~22V, Io=5mA~350mA |
| | | 08 | 7.6 | — | 8.4 | | Vin=10.5~23V, Io=5mA~350mA |
| | | 09 | 8.55 | — | 9.45 | | Vin=11.5~24V, Io=5mA~350mA |
| | | 10 | 9.5 | — | 10.5 | | Vin=12.5~25V, Io=5mA~350mA |
| | | 12 | 11.4 | — | 12.6 | | Vin=15~27V, Io=5mA~350mA |
| | | 15 | 14.25 | — | 15.75 | | Vin=17.5~30V, Io=5mA~350mA |
| | | 18 | 17.1 | — | 18.9 | | Vin=21~33V, Io=5mA~350mA |
| | | 20 | 19.0 | — | 21.0 | | Vin=23~33V, Io=5mA~350mA |
| 24 | 22.8 | — | 25.2 | Vin=27~33V, Io=5mA~350mA | | | |
| Line Regulation1 | Reg.I1 | 05 | — | 3 | 100 | mV | Vin=7~25V, Io=200mA |
| | | 06 | — | 3 | 100 | | Vin=8~25V, Io=200mA |
| | | 07 | — | 4 | 100 | | Vin=9~25V, Io=200mA |
| | | 08 | — | 4 | 100 | | Vin=10.5~25V, Io=200mA |
| | | 09 | — | 4 | 100 | | Vin=11.5~26V, Io=200mA |
| | | 10 | — | 5 | 100 | | Vin=12.5~28V, Io=200mA |
| | | 12 | — | 5 | 100 | | Vin=14.5~30V, Io=200mA |
| | | 15 | — | 6 | 100 | | Vin=17.5~30V, Io=200mA |
| | | 18 | — | 7 | 100 | | Vin=21~33V, Io=200mA |
| | | 20 | — | 8 | 100 | | Vin=23~33V, Io=200mA |
| 24 | — | 10 | 100 | Vin=27~33V, Io=200mA | | | |
| Line Regulation2 | Reg.I2 | 05 | — | 1 | 50 | mV | Vin=8~12V, Io=200mA |
| | | 06 | — | 1 | 50 | | Vin=9~25V, Io=200mA |
| | | 07 | — | 1 | 50 | | Vin=10~25V, Io=200mA |
| | | 08 | — | 1 | 50 | | Vin=11~25V, Io=200mA |
| | | 09 | — | 2 | 50 | | Vin=12~25V, Io=200mA |
| | | 10 | — | 2 | 50 | | Vin=14~26V, Io=200mA |
| | | 12 | — | 3 | 50 | | Vin=16~30V, Io=200mA |
| | | 15 | — | 3 | 50 | | Vin=20~30V, Io=200mA |
| | | 18 | — | 3 | 50 | | Vin=24~33V, Io=200mA |
| | | 20 | — | 4 | 50 | | Vin=24~33V, Io=200mA |
| 24 | — | 5 | 50 | Vin=28~33V, Io=200mA | | | |
| Ripple Rejection | R.R. | 05 | 62 | 78 | — | dB | ein=1Vrms, f=120Hz, Io=100mA |
| | | 06 | 60 | 74 | — | | |
| | | 07 | 57 | 71 | — | | |
| | | 08 | 56 | 69 | — | | |
| | | 09 | 56 | 67 | — | | |
| | | 10 | 56 | 66 | — | | |
| | | 12 | 55 | 63 | — | | |
| | | 15 | 54 | 60 | — | | |
| | | 18 | 53 | 58 | — | | |
| | | 20 | 53 | 58 | — | | |
| 24 | 50 | 55 | — | | | | |
| Temperature Coefficient of Output Voltage | Tcvo | 05 | — | -1.0 | — | mV/°C | Io=5mA, Tj=0~125°C |
| | | 06/07/08/09/10/12 | — | -0.5 | — | | |
| | | 15/18 | — | -0.6 | — | | |
| | | 20/24 | — | -0.7 | — | | |
| Peak Output Current | Io-p | Common | — | 875 | — | mA | Tj=25°C |
| Dropout Voltage | Vd | Common | — | 2.0 | — | V | Io=500mA |

| Parameter | Symbol | Type | Limit | | | Unit | Condition |
|------------------------------|--------|----------------------|-------|------|------|------|------------------------|
| | | | Min. | Typ. | Max. | | |
| Load Regulation1 | Reg.L1 | 05 | — | 20 | 100 | mV | Io=5mA~500mA |
| | | 06 | — | 20 | 120 | | |
| | | 07 | — | 20 | 140 | | |
| | | 08 | — | 20 | 160 | | |
| | | 09 | — | 20 | 180 | | |
| | | 10 | — | 20 | 200 | | |
| | | 12 | — | 20 | 240 | | |
| | | 15 | — | 20 | 300 | | |
| | | 18 | — | 20 | 360 | | |
| | | 20 | — | 20 | 400 | | |
| Load Regulation2 | Reg.L2 | 05 | — | 10 | 50 | mV | Io=5mA~200mA |
| | | 06 | — | 10 | 60 | | |
| | | 07 | — | 10 | 70 | | |
| | | 08 | — | 10 | 80 | | |
| | | 09 | — | 10 | 90 | | |
| | | 10 | — | 10 | 100 | | |
| | | 12 | — | 10 | 120 | | |
| | | 15 | — | 10 | 150 | | |
| | | 18 | — | 10 | 180 | | |
| | | 20 | — | 10 | 200 | | |
| Output Noise Voltage | Vn | 05 | — | 40 | — | μV | f=10Hz~100kHz |
| | | 06 | — | 60 | — | | |
| | | 07 | — | 70 | — | | |
| | | 08 | — | 80 | — | | |
| | | 09 | — | 90 | — | | |
| | | 10 | — | 100 | — | | |
| | | 12 | — | 110 | — | | |
| | | 15 | — | 130 | — | | |
| | | 18 | — | 140 | — | | |
| | | 20 | — | 150 | — | | |
| Bias Current | Ib | Common | — | 4.5 | 6.0 | mA | Io=0mA |
| Bias Current Change 1 | Ib1 | Common | — | — | 0.5 | mA | Io=5mA~350mA |
| Bias Current Change 2 | Ib2 | 05 | — | — | 0.8 | mA | Vin:8~25V, Io=200mA |
| | | 06 | — | — | 0.8 | | Vin:9~25V, Io=200mA |
| | | 07 | — | — | 0.8 | | Vin:10~25V, Io=200mA |
| | | 08 | — | — | 0.8 | | Vin:10.5~25V, Io=200mA |
| | | 09 | — | — | 0.8 | | Vin:12~25V, Io=200mA |
| | | 10 | — | — | 0.8 | | Vin:13~25V, Io=200mA |
| | | 12 | — | — | 0.8 | | Vin:14.5~30V, Io=200mA |
| | | 15 | — | — | 0.8 | | Vin:17.5~30V, Io=200mA |
| | | 18 | — | — | 0.8 | | Vin:21~33V, Io=200mA |
| | | 20 | — | — | 0.8 | | Vin:23~33V, Io=200mA |
| Short-Circuit Output Current | Ios | 05/06/07/08 | — | 0.4 | — | A | Vin=25V |
| | | 09/10/12/15/18/20/24 | — | 0.17 | — | | Vin=30V |
| Output Resistance | Ro | 05 | — | 9 | — | mΩ | f=1kHz |
| | | 06 | — | 10 | — | | |
| | | 07 | — | 11 | — | | |
| | | 08 | — | 12 | — | | |
| | | 09 | — | 13 | — | | |
| | | 10 | — | 14 | — | | |
| | | 12 | — | 16 | — | | |
| | | 15 | — | 19 | — | | |
| | | 18 | — | 22 | — | | |
| | | 20 | — | 25 | — | | |
| 24 | — | 37 | — | | | | |

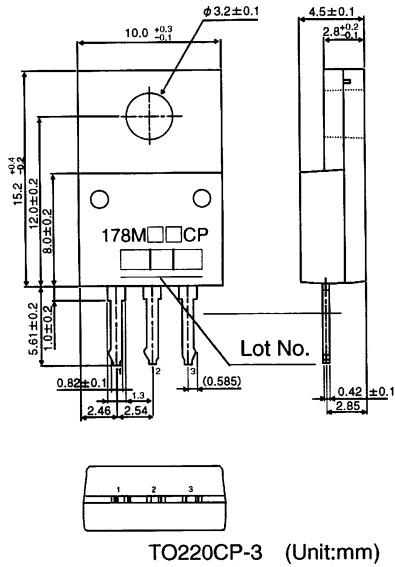
○Output Voltage and Marking

| Type | Marking | Output Voltage(V) |
|------------|----------|-------------------|
| BA178M05CP | 178M05CP | 5 |
| BA178M06CP | 178M06CP | 6 |
| BA178M07CP | 178M07CP | 7 |
| BA178M08CP | 178M08CP | 8 |

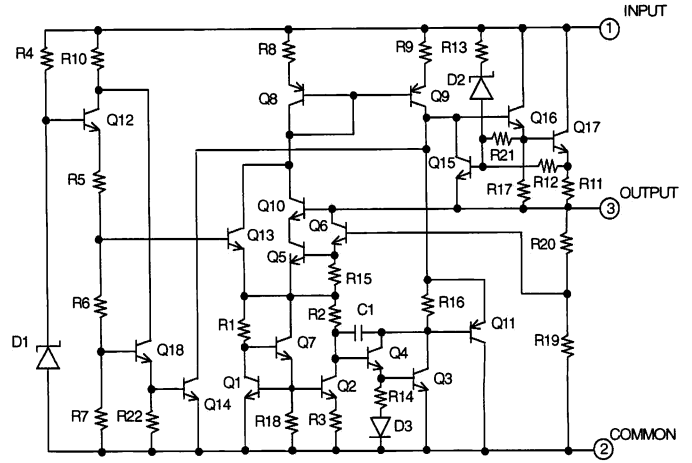
| Type | Marking | Output Voltage(V) |
|------------|----------|-------------------|
| BA178M09CP | 178M09CP | 9 |
| BA178M10CP | 178M10CP | 10 |
| BA178M12CP | 178M12CP | 12 |
| BA178M15CP | 178M15CP | 15 |

| Type | Marking | Output Voltage(V) |
|------------|----------|-------------------|
| BA178M18CP | 178M18CP | 18 |
| BA178M20CP | 178M20CP | 20 |
| BA178M24CP | 178M24CP | 24 |

○PHYSICAL DIMENTION



○EQUIVALENT CIRCUIT



○Pin number, Pin name

| Pin number | Pin name |
|------------|----------|
| 1 | INPUT |
| 2 | COMMON |
| 3 | OUTPUT |

○NOTES FOR USE

- (1) Absolute maximum range
We are careful enough for quality control about this IC. So, there is no problem under normal operation, excluding that it exceeds the absolute maximum ratings. However, Absolute Maximum Ratings are those values beyond which the life of a device may be destroyed we cannot be defined the failure mode, such as short mode or open mode. Therefore physical security countermeasure, like fuse, is to be given when a specific mode to be beyond absolute maximum ratings is considered.
- (2) Ground voltage
Make setting of the potential of the GND terminal so that it will be maintained at the minimum in any operating state. Furthermore, check to be sure no terminals are at a potential lower than the GND voltage including an actual electric transient.
- (3) Thermal design
When you do the kind of use which exceeds Pd, It may be happened to deteriorating IC original quality such as decrease of electric current ability with chip temperature rise. Do not exceed the power dissipation (Pd) of the package specification rating under actual operation, and please design enough temperature margins.
- (4) Short circuit mode between terminals and wrong mounting
Do not mount the IC in the wrong direction and be careful about the reverse-connection of the power connector. Moreover, this IC might be destroyed when the dust short the terminals between them or GND.
- (5) Operation in the strong electromagnetic field
Malfunction may be happened when the device is used in the strong electromagnetic field.
- (6) ASO
Do not exceed the maximum ASO and the absolute maximum ratings of the output transistor.
- (7) Thermal shutdown circuit
The thermal shutdown circuit (TSD circuit) is built in this product. When IC chip temperature become higher, the thermal shutdown circuit operates and turns output off. The thermal shutdown circuit, which is aimed at isolating the LSI from thermal runaway as much as possible, is not aimed at the protection or guarantee of the LSI. Therefore, do not continuously use the LSI with this circuit operating or use the LSI assuming its operation.
- (8) GND wiring pattern
Use separate ground lines for control signals and high current power driver outputs. Because these high current outputs that flows to the wire impedance changes the GND voltage for control signal. Therefore, each ground terminal of IC must be connected at the one point on the set circuit board. As for GND of external parts, it is similar to the above-mentioned.
- (9) Internal circuits could be damaged if there are modes in which the electric potential of the application's input and GND are the opposite of the electric potential of the various outputs. Use of a diode or other such bypass is recommended.
- (10) We recommend to put Diode for protection purpose in case of output pin connected with large load of impedance or reserve current occurred at initial and output off.
- (11) Anti-oscillating capacitor of output and bypass capacitor
Anti-oscillating capacitor has to be put between Output and GND.(more than 0.1 μF)
Tantalum capacitor is recommendable where capacitance value varied because of temperature change.
Also it is recommendable to put 0.33 μF bypass capacitor between Input and GND as close as possible to pin.

Notes

- No technical content pages of this document may be reproduced in any form or transmitted by any means without prior permission of ROHM CO.,LTD.
- The contents described herein are subject to change without notice. The specifications for the product described in this document are for reference only. Upon actual use, therefore, please request that specifications to be separately delivered.
- Application circuit diagrams and circuit constants contained herein are shown as examples of standard use and operation. Please pay careful attention to the peripheral conditions when designing circuits and deciding upon circuit constants in the set.
- Any data, including, but not limited to application circuit diagrams information, described herein are intended only as illustrations of such devices and not as the specifications for such devices. ROHM CO.,LTD. disclaims any warranty that any use of such devices shall be free from infringement of any third party's intellectual property rights or other proprietary rights, and further, assumes no liability of whatsoever nature in the event of any such infringement, or arising from or connected with or related to the use of such devices.
- Upon the sale of any such devices, other than for buyer's right to use such devices itself, resell or otherwise dispose of the same, no express or implied right or license to practice or commercially exploit any intellectual property rights or other proprietary rights owned or controlled by
- ROHM CO., LTD. is granted to any such buyer.
- Products listed in this document are no antiradiation design.

The products listed in this document are designed to be used with ordinary electronic equipment or devices (such as audio visual equipment, office-automation equipment, communications devices, electrical appliances and electronic toys).

Should you intend to use these products with equipment or devices which require an extremely high level of reliability and the malfunction of which would directly endanger human life (such as medical instruments, transportation equipment, aerospace machinery, nuclear-reactor controllers, fuel controllers and other safety devices), please be sure to consult with our sales representative in advance.

About Export Control Order in Japan

Products described herein are the objects of controlled goods in Annex 1 (Item 16) of Export Trade Control Order in Japan.

In case of export from Japan, please confirm if it applies to "objective" criteria or an "informed" (by MITI clause) on the basis of "catch all controls for Non-Proliferation of Weapons of Mass Destruction.

Thank you for your accessing to ROHM product informations.
More detail product informations and catalogs are available,
please contact your nearest sales office.

Please contact our sales offices for details ;

| | | |
|-------------------------|---------------------------|----------------------------|
| U.S.A / San Diego | TEL : +1(858)625-3630 | FAX : +1(858)625-3670 |
| Atlanta | TEL : +1(770)754-5972 | FAX : +1(770)754-0691 |
| Dallas | TEL : +1(972)312-8818 | FAX : +1(972)312-0330 |
| Germany / Dusseldorf | TEL : +49(2154)9210 | FAX : +49(2154)921400 |
| United Kingdom / London | TEL : +44(1)908-282-666 | FAX : +44(1)908-282-528 |
| France / Paris | TEL : +33(0)1 56 97 30 60 | FAX : +33(0) 1 56 97 30 80 |
| China / Hong Kong | TEL : +852(2)740-6262 | FAX : +852(2)375-8971 |
| Shanghai | TEL : +86(21)6279-2727 | FAX : +86(21)6247-2066 |
| Dilian | TEL : +86(411)8230-8549 | FAX : +86(411)8230-8537 |
| Beijing | TEL : +86(10)8525-2483 | FAX : +86(10)8525-2489 |
| Taiwan / Taipei | TEL : +866(2)2500-6956 | FAX : +866(2)2503-2869 |
| Korea / Seoul | TEL : +82(2)8182-700 | FAX : +82(2)8182-715 |
| Singapore | TEL : +65-6332-2322 | FAX : +65-6332-5662 |
| Malaysia / Kuala Lumpur | TEL : +60(3)7958-8355 | FAX : +60(3)7958-8377 |
| Philippines / Manila | TEL : +63(2)807-6872 | FAX : +63(2)809-1422 |
| Thailand / Bangkok | TEL : +66(2)254-4890 | FAX : +66(2)256-6334 |

Japan /
(Internal Sales)

| | | | |
|----------|--|-----------------------|-----------------------|
| Tokyo | 2-1-1, Yaesu, Chuo-ku, Tokyo 104-0082 | TEL : +81(3)5203-0321 | FAX : +81(3)5203-0300 |
| Yokohama | 2-4-8, Shin Yokohama, Kohoku-ku, Yokohama, Kanagawa 222-8575 | TEL : +81(45)476-2131 | FAX : +81(45)476-2128 |
| Nagoya | Dainagayo Building 9F 3-28-12, Meieki, Nakamura-ku, Nagoya, Aichi 450-0002 | TEL : +81(52)581-8521 | FAX : +81(52)561-2173 |
| Kyoto | 579-32 Higashi Shiokouji-cho, Karasuma Nishi-iru, Shiokoujidori, Shimogyo-ku, Kyoto 600-8216 | TEL : +81(75)311-2121 | FAX : +81(75)314-6559 |

(Contact address for overseas customers in Japan)

| | | |
|----------|-----------------------|------------------------|
| Yokohama | TEL : +81(45)476-9270 | FAX : +81(045)476-9271 |
|----------|-----------------------|------------------------|