

ELECTRICAL SPECIFICATIONS:

- | | | |
|-------------------------------|---|-----------------------------|
| 1.0 TURNS RATIO: | $(P6-P8-P3) : (J6-J3)$ $(P2-P7-P1) : (J2-J1)$ | : 1CT : 1 +/--3% |
| | | : 1CT : 2.5 +/--3% |
| 2.0 INDUCTANCE: | $(P6-P3)$ $(P2-P1)$ | : 200uH MIN. @ 0.01V, 10KHz |
| | | : 35uH MIN. @ 0.01V, 10KHz |
| 3.0 LEAKAGE INDUCTANCE: | $P6-P3$ (WITH $J6$ AND $J3$ SHORT) | : 0.3uH MAX. @ 1MHz |
| | $P2-P1$ (WITH $J2$ AND $J1$ SHORT) | : 0.3uH MAX. @ 1MHz |
| 4.0 INTERWINDING CAPACITANCE: | $(P6,P3)$ TO $(J6,J3)$ $(P2,P1)$ TO $(J2,J1)$ | : 10pf MAX @ 1MHz |
| | | : 10pf MAX. @ 1MHz |
| 5.0 DC RESISTANCE: | $(J6-J3)=(J2-J1)$ $(P6-P8)=(P8-P3)$ $(P2-P7)=(P7-P1)$ | : 1.0 ohms Max. |
| | | : 0.3 ohms Max. |
| | | : 0.3 ohms Max. |
| 6.0 DIELECTRIC WITHSTAND: | $(P6,P3)$ TO $(J6,J3)$ $(P2,P1)$ TO $(J2,J1)$ | : 1500VAC |
| | | : 1500VAC |

NOTES

1.0 PINS WITHOUT ELECTRICAL CONNECTION ARE OMITTED.

Bel Stewart Connector
11118 Susquehanna Trail, South
Glen Rock, Pa 17327-9199
717.234.7512

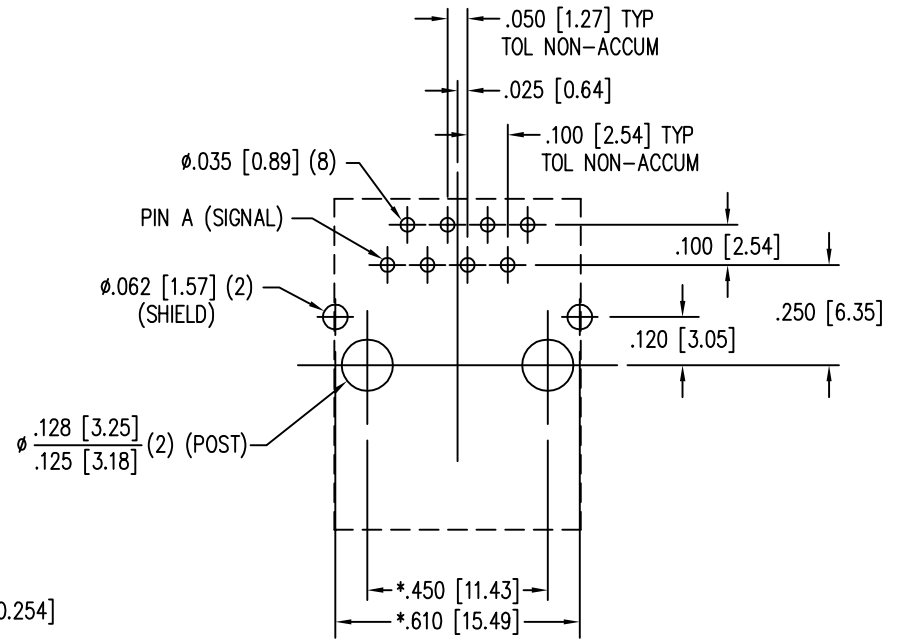
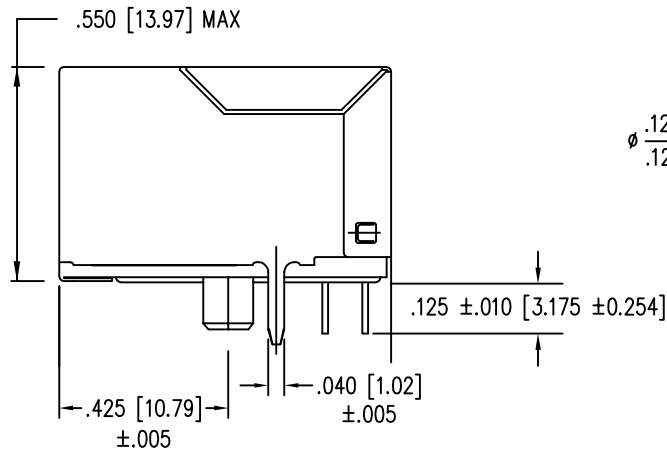
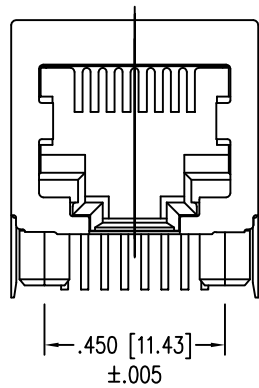
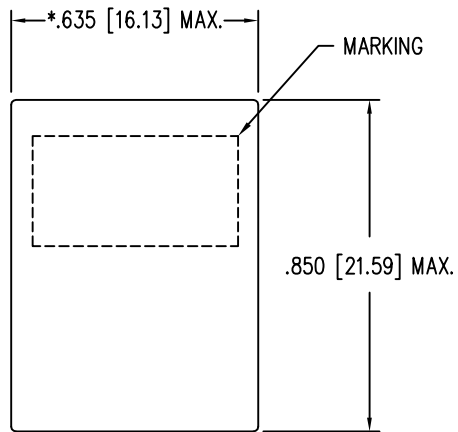
MagJack

<http://www.stewartconnector.com>

THIS DRAWING AND THE SUBJECT MATTER SHOWN THEREON ARE CONFIDENTIAL AND PROPERTY OF BEL STEWART CONNECTOR AND SHALL NOT BE REPRODUCED, COPIED, OR USED IN ANY MANNER WITHOUT PRIOR WRITTEN CONTENT OF BEL STEWART CONNECTOR. THE SUBJECT MATTER MAY BE PATENTED OR A PATENT MAY BE PENDING.

SHEET
1 OF 2

DRAWING NO. SI-60017 REV. 01



P.C.B. RECOMMENDED HOLE LAYOUT
SEEN FROM COMPONENT SIDE
TOLERANCE ±.003 [0.08] UNLESS OTHERWISE SPECIFIED

- PIN NOT ELECTRICALLY CONNECTED MAYBE OMITTED.

NOTES:

- TOLERANCES COMPLY WITH F.C.C. DIMENSION REQUIREMENTS
- DIMENSIONS SHOWN WITH "*" TO BE CENTRAL ABOUT CENTER LINE
- DIMENSIONS SHOWN ARE SUBJECT TO CHANGE WITHOUT NOTICE.
- PIN NOT ELECTRICALLY CONNECTED MAYBE OMITTED.
SEE ELECTRICAL DRAWING FOR OMITTED PINS.
- STANDARD 50 MICRO-INCH SELECTIVE GOLD PLATING

Bel Stewart Connector
11118 Susquehanna Trail, South
Glen Rock, Pa 17327-9199
717.234.7512

MagJack

<http://www.stewartconnector.com>

THIS DRAWING AND THE SUBJECT MATTER SHOWN THEREON ARE CONFIDENTIAL AND PROPERTY OF BEL STEWART CONNECTOR AND SHALL NOT BE REPRODUCED, COPIED, OR USED IN ANY MANNER WITHOUT PRIOR WRITTEN CONTENT OF BEL STEWART CONNECTOR. THE SUBJECT MATTER MAY BE PATENTED OR A PATENT MAY BE PENDING.

SHEET
2 OF 2

DRAWING NO. SI-60017 REV. 04